



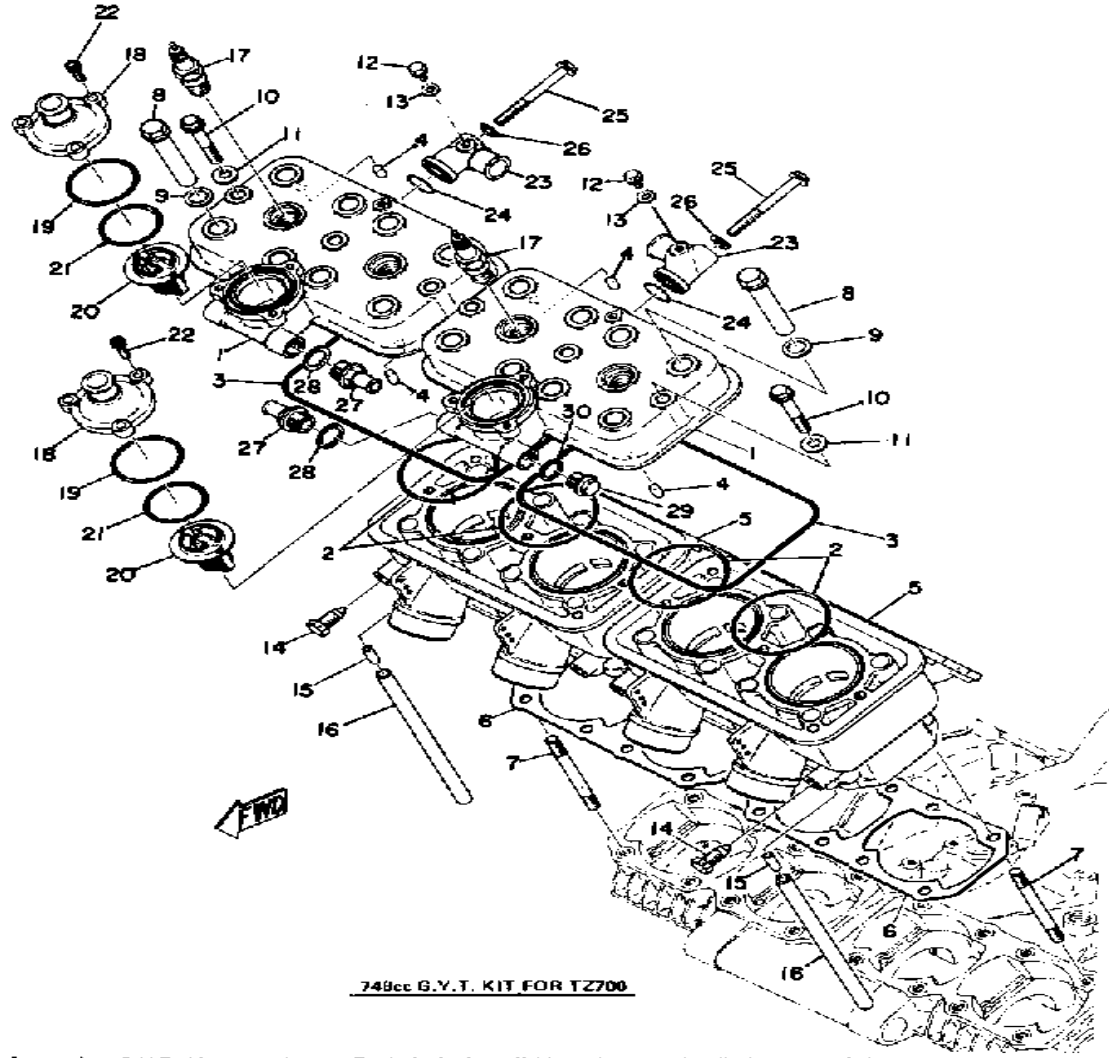
YAMAHA

GENUINE

PARTS CATALOGUE

MOTORCYCLE

CYLINDER HEAD - CYLINDER



748cc G.Y.T. KIT FOR TZ700

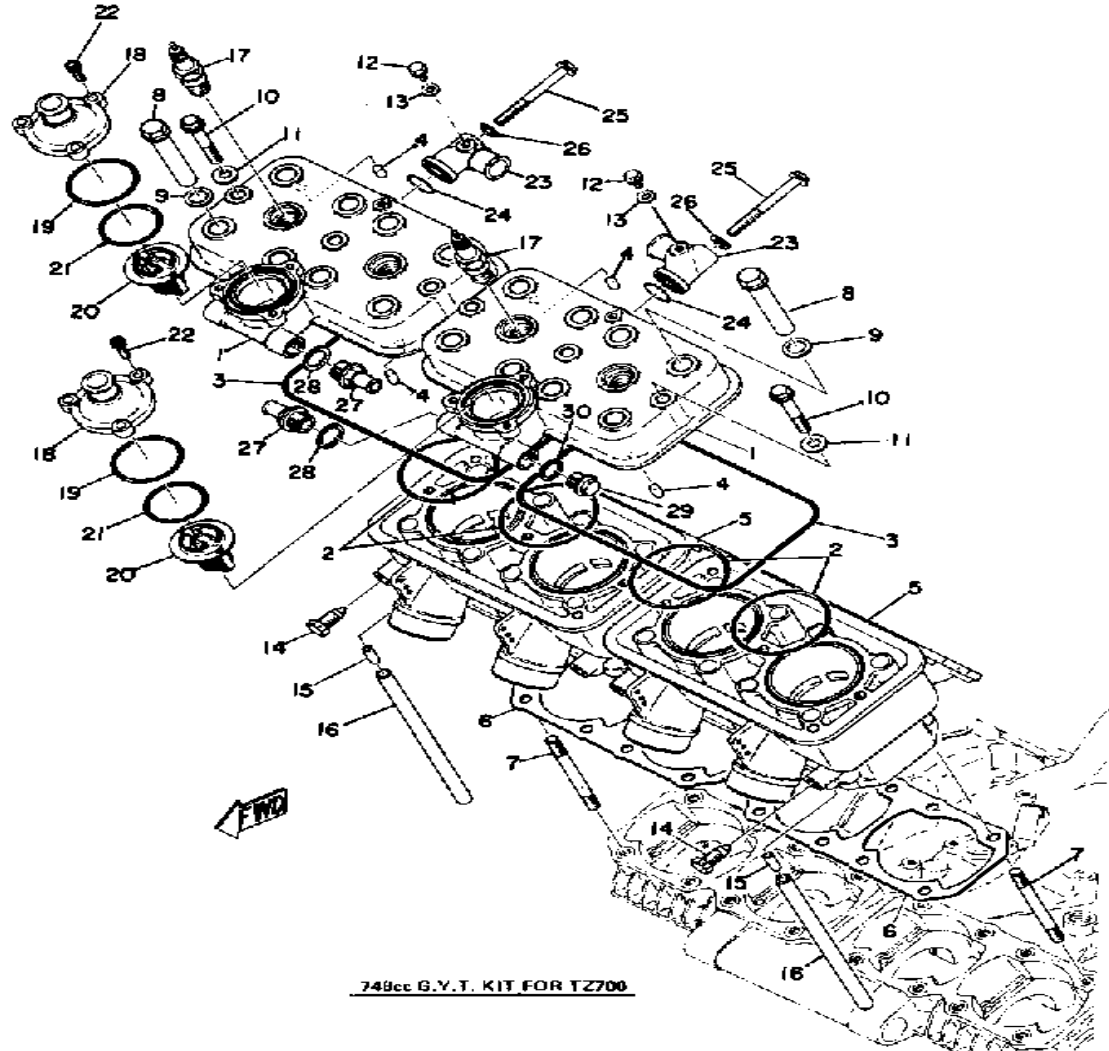
A complete G.Y.T. (Genuine Yamaha Tuning) Kit is available to increase the displacement of the TZ700 from 688cc to 748cc.

PART NUMBER	DESCRIPTION	QTY.	PRICE
	750 G.Y.T. Kit	1	
409-11111-70-00	HEAD, cylinder	2	
93210-72300-00	O-RING	4	
409-11311-70-00	CYLINDER	2	
409-11631-70-00	PISTON	4	
409-11611-70-00	PISTON RING	4	
409-11351-00-00	BASE GASKET	2	
383-12498-00-00	JOINT	2	
90210-08001-00	WASHER (383-11174-00-00)	2	
93211-90247-00	O-RING	2	
93210-20027-00	O-RING	2	
93210-45150-00	O-RING (93210-46116-00)	2	
93210-40209-00	O-RING	2	
93450-17025-00	CLIP, piston pin (137-11634-00-00)	8	
311-13521-01-00	PACKING	4	
93210-48209-00	O-RING	8	
90179-08189-00	NUT, holding	16	
94701-00018-00	B-11EN SPARK PLUG	20	

Ref. No.	Part Number	Description	Qty	Remarks
1	(409-11111-00-00)	HEAD, CYLINDER 1	2	
2	93210-69434-00	O-RING	4	
3	93211-90247-00	O-RING	2	
4	93606-12019-00	PIN, DOWEL	4	
5	(409-11311-00-00)	CYLINDER 1	2	
6	1X2-11351-00-00	GASKET, CYLINDER	2	
7	(90116-08219-00)	BOLT, STUD	16	
	90116-08212-00	BOLT, STUD	16	
8	90179-08187-00	NUT, SPEC'L SHAPE	16	
9	90201-12172-00	WASHER, PLATE	16	
10	95021-08055-00	BOLT, FLANGE	6	
11	90201-08087-00	WASHER, PLATE	6	
12	90338-06041-00	PLUG	2	
13	90430-06166-00	GASKET	2	
14	90340-10016-00	PLUG, STRAIGHT SCRW (383-11374-00)	4	
15	383-11375-00-00	NIPPLE, HOSE 1	4	
16	(90445-10139-00)	HOSE	2	
17	(94701-00017-00)	SPARK PLUG B10EN	4	
18	383-12413-00-00	COVER, THERMOSTAT	2	
19	93210-45150-00	O-RING	2	
20	717-12411-00-00	THERMOSTAT	2	
21	93210-40659-00	O-RING	2	
22	91316-06020-00	BOLT, SOCKET HEAD	6	
23	(383-12498-00-00)	JOINT	2	
24	93210-20027-00	O-RING	2	
25	90105-08013-00	BOLT, WASHER BASED	2	
26	90210-08002-00	WASHER, SEAL	2	
27	(409-12499-00-00)	JOINT	2	

CONTINUED ON NEXT FRAME ➤

CYLINDER HEAD - CYLINDER

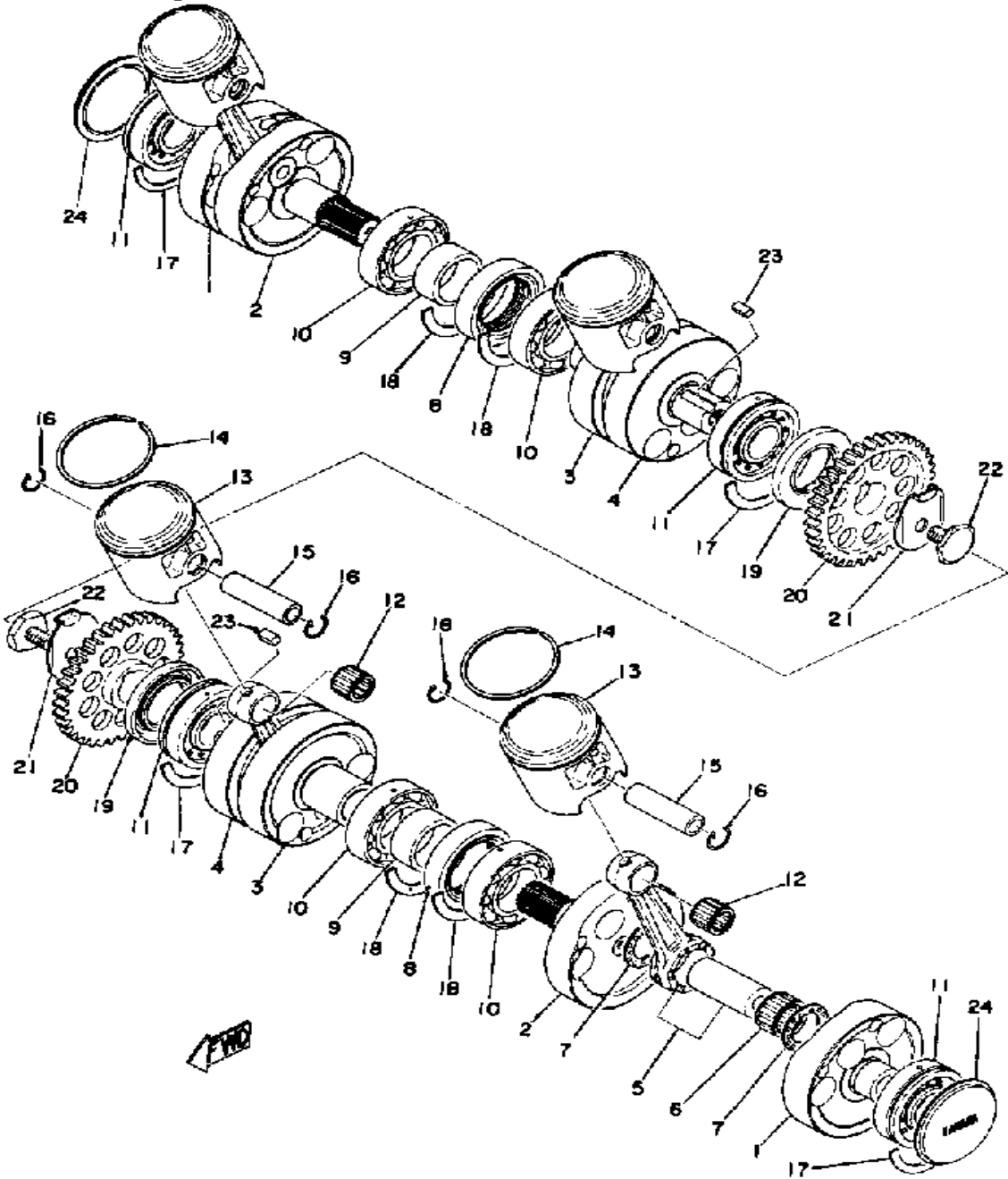


Ref. No.	Part Number	Description	Qty	Remarks
28	90430-16068-00	GASKET	2	
29	90109-16380-00	BOLT (409-12429-00)	1	
30	90430-16068-00	GASKET	1	

A complete G.Y.T. (Genuine Yamaha Tuning) Kit is available to increase the displacement of the TZ700 from 688cc to 748cc.

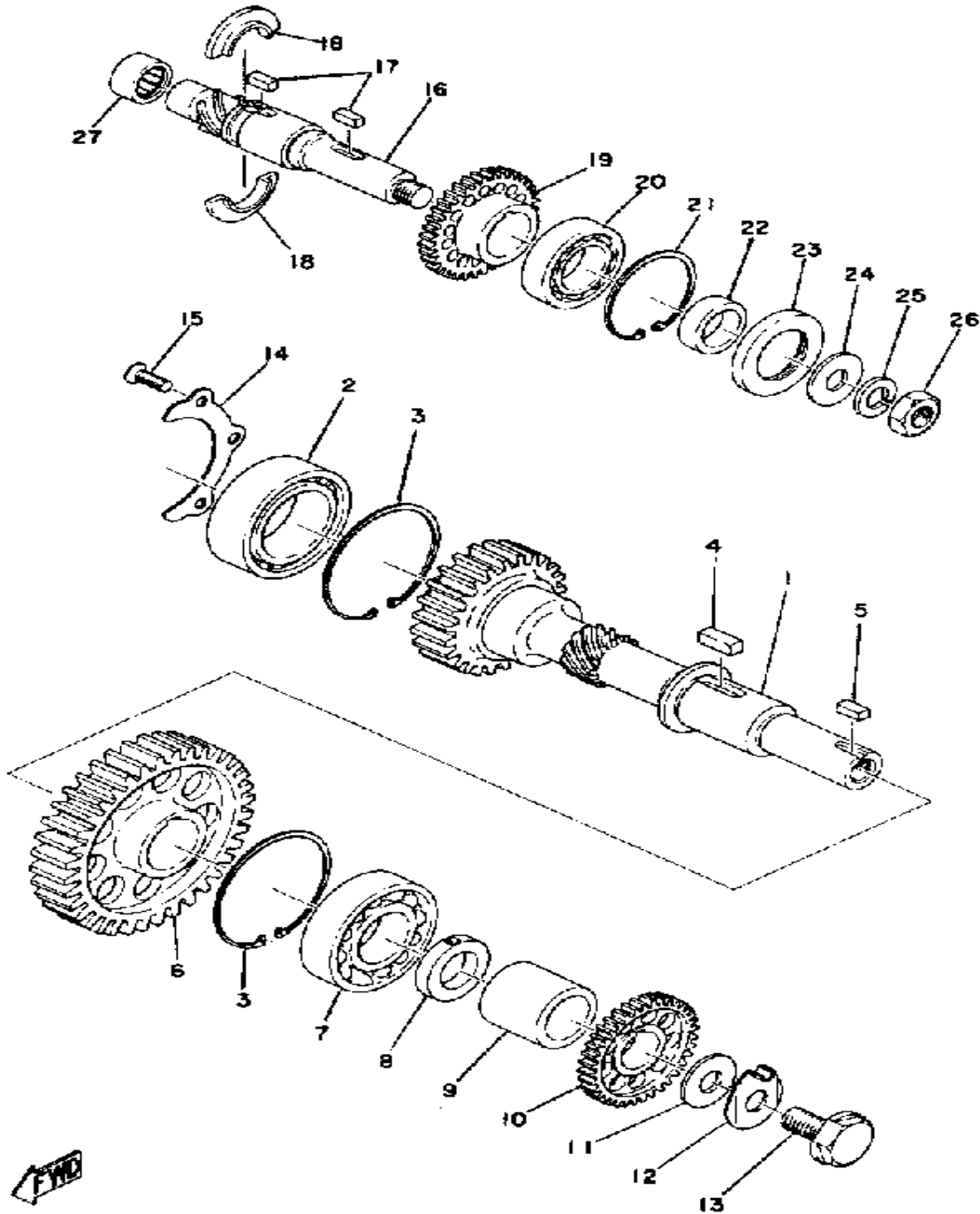
PART NUMBER	DESCRIPTION	QTY.	PRICE
	750 G.Y.T. Kit	1	
.408-11111-70-00	HEAD, cylinder	2	
.93210-72300-00	O-RING	4	
.408-11311-70-00	CYLINDER	2	
.408-11631-70-00	PISTON	4	
.408-11611-70-00	PISTON RING	4	
.408-11361-00-00	BASE GASKET	2	
.383-12498-00-00	JOINT	2	
.90210-08001-00	WASHER (383-11174-00-00)	2	
.93211-90247-00	O-RING	2	
.93210-20027-00	O-RING	2	
.93210-45150-00	O-RING (93210-46116-00)	2	
.93210-40208-00	O-RING	2	
.83450-17026-00	CLIP, piston pin (137-11634-00-00)	8	
.311-13621-01-00	PACKING	4	
.93210-48208-00	O-RING	8	
.90179-08189-00	NUT, holding	16	
.94701-00018-00	6-11EN. SPARK PLUG	20	

CRANK - PISTON



Ref. No.	Part Number	Description	Qty	Remarks
1	(409-11412-00-00)	CRANK 1	2	
2	(409-11422-00-00)	CRANK 2	2	
3	(1X2-11432-00-00)	CRANK 3	2	
4	(409-11442-00-00)	CRANK 4	2	
5	3G2-11650-09-00	. CONNECTING ROD ASSEMBLY	4	
6	93310-422C8-00	.. BEARING, CYLINDER.	4	
7	90209-22248-00	. WASHER	8	
8	328-11515-00-00	. SEAL, LABYRINTH 1	2	
9	90387-32204-00	. COLLAR (328-11513-00)	2	
10	93306-20614-00	. BEARING	4	
11	93390-00012-00	. BEARING, CYLINDER. # 0 ...	4	
12	93310-216E1-00	BEARING	4	
13	(409-11631-02-96)	PISTON STD	1	
	(409-11631-02-97)	PISTON STD	4	
14	328-11611-00-00	RING, PISTON STD	4	
15	4L0-11633-00-00	PIN, PISTON	4	
16	93450-17025-00	CIRCLIP	8	
17	328-17424-00-00	CIRCLIP 1	4	
18	278-17424-01-00	CIRCLIP 1	4	
19	93110-37003-00	OIL SEAL, SWO-TYPE	2	
20	(409-11536-00-00)	GEAR, DRIVE	2	
21	(90215-10133-00)	WASHER, LOCK	2	
22	(90101-10375-00)	BOLT	2	
23	(90282-07007-00)	KEY, STRAIGHT	2	
24	90338-62020-00	PLUG, SPEC'L SHAPE	2	
-1	(409-11400-00-00)	CRANKSHAFT ASSEMBLY ...	2	

COUNTER SHAFT

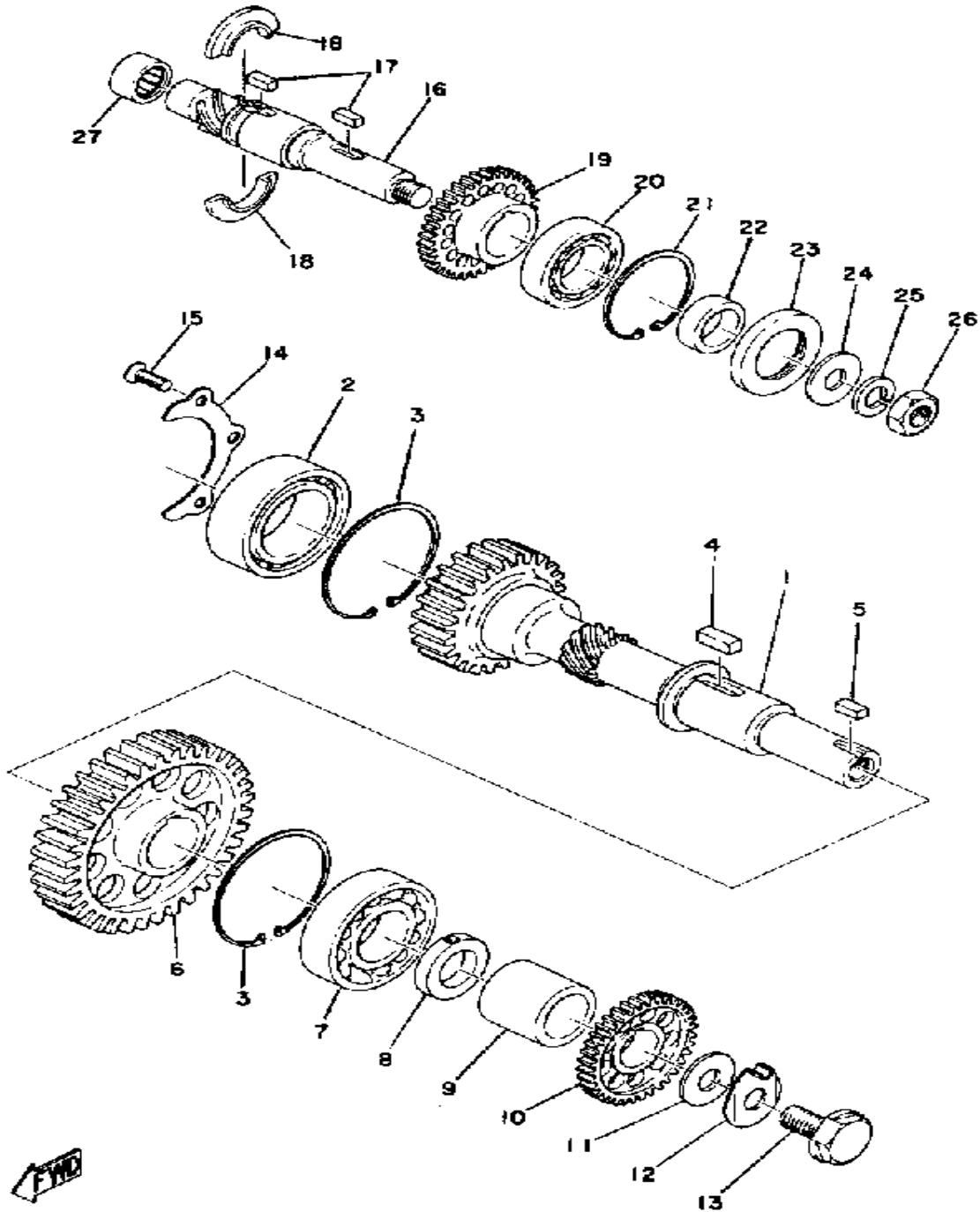


Ref. No.	Part Number	Description	Qty	Remarks
1	(409-16110-02-00)	PRI DRV GEAR ASSEMBLY ..	1	
2	(93390-00010-00)	BEARING, CYLINDER. # 0	1	
	93306-00505-00	BEARING	1	
3	93420-62070-00	CIRCLIP 54G	2	
4	90282-07021-00	KEY, STRAIGHT	1	
5	90282-05011-00	KEY, STRAIGHT	1	
6	(409-11537-00-00)	GEAR, DRIVEN	1	
7	93306-20607-00	BEARING (B6206)	1	
8	(90560-25132-00)	SPACER	1	
9	(90560-25132-00)	SPACER	1	
10	(409-11136-01-00)	PLATE, BREATHER 4	1	
11	90201-16513-00	WASHER, PLATE (12.5-30-2.6)	1	
12	90201-16513-00	WASHER, PLATE (12.5-30-2.6)	1	
13	(90109-16342-00)	BOLT	1	
14	(409-15381-00-00)	PLATE, BRNG COVER	1	
15	98701-06014-00	SCREW, FLAT HEAD	3	
16	(409-11156-00-00)	SHAFT, BREAKER	1	USE WITH 409-13325-00 6T
17	90282-05011-00	KEY, STRAIGHT	1	
18	156-17429-00-00	SPACER, DRIVE AXLE	2	
19	(409-11137-00-00)	GEAR, BREAKER DRVN	1	
21	99009-47500-00	CIRCLIP	1	
22	(90560-21057-00)	SPACER	1	
23	(93101-30066-00)	OIL SEAL, S-TYPE	1	
24	90201-16513-00	WASHER, PLATE (12.5-30-2.6)	1	
25	92990-12100-00	WASHER, SPRING	1	
26	90170-12060-00	NUT	1	
27	93315-21721-00	BEARING, CYLINDER.# 5	1	
1-1	(409-16110-03-00)	PRI DRV GEAR ASSEMBLY ..	1	

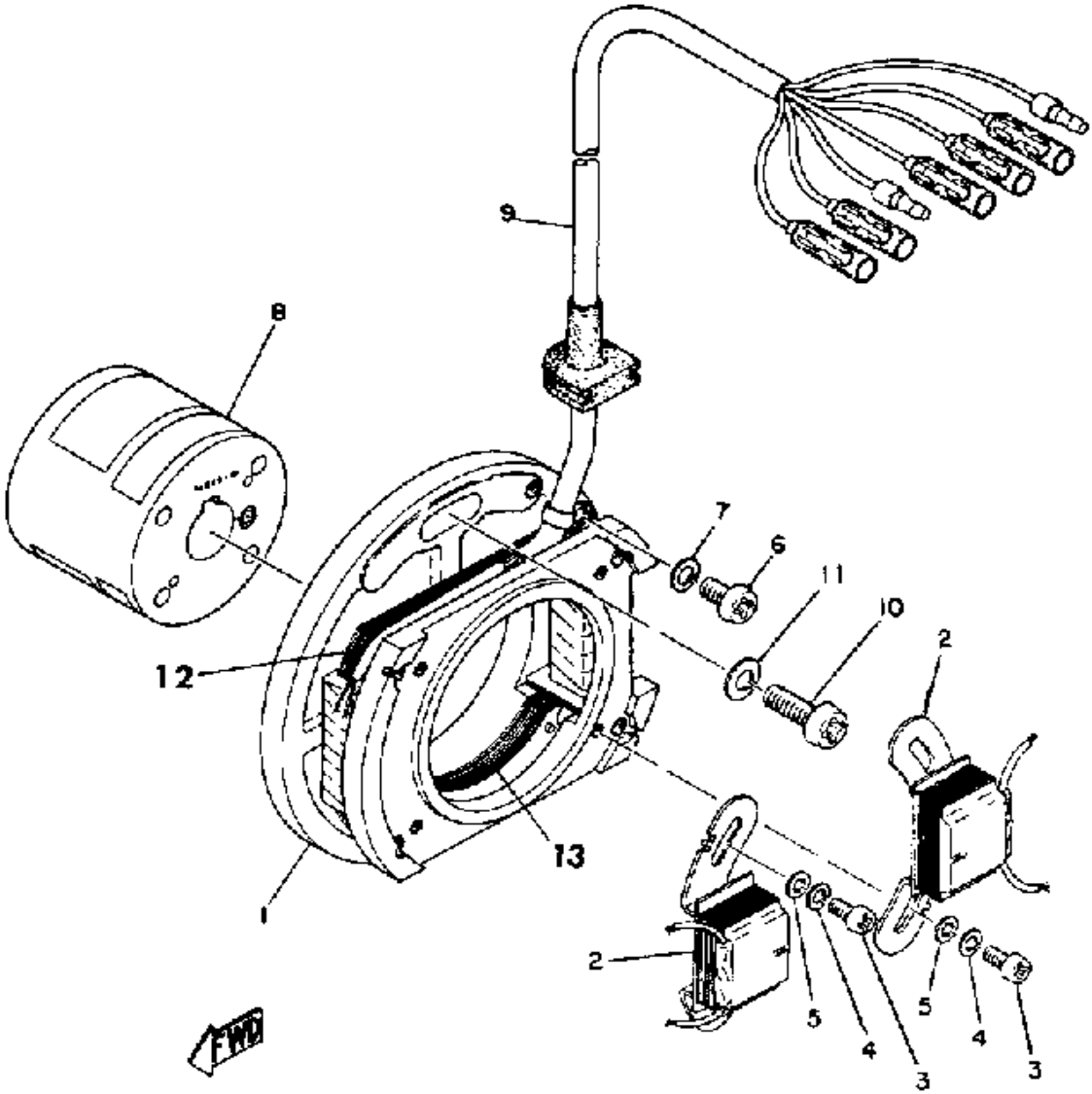
CONTINUED ON NEXT FRAME ►

COUNTER SHAFT

Ref. No.	Part Number	Description	Qty	Remarks
16-1	(409-11156-01-00)	SHAFT, BREAKER	12	USE WITH 409-13325-01 5T

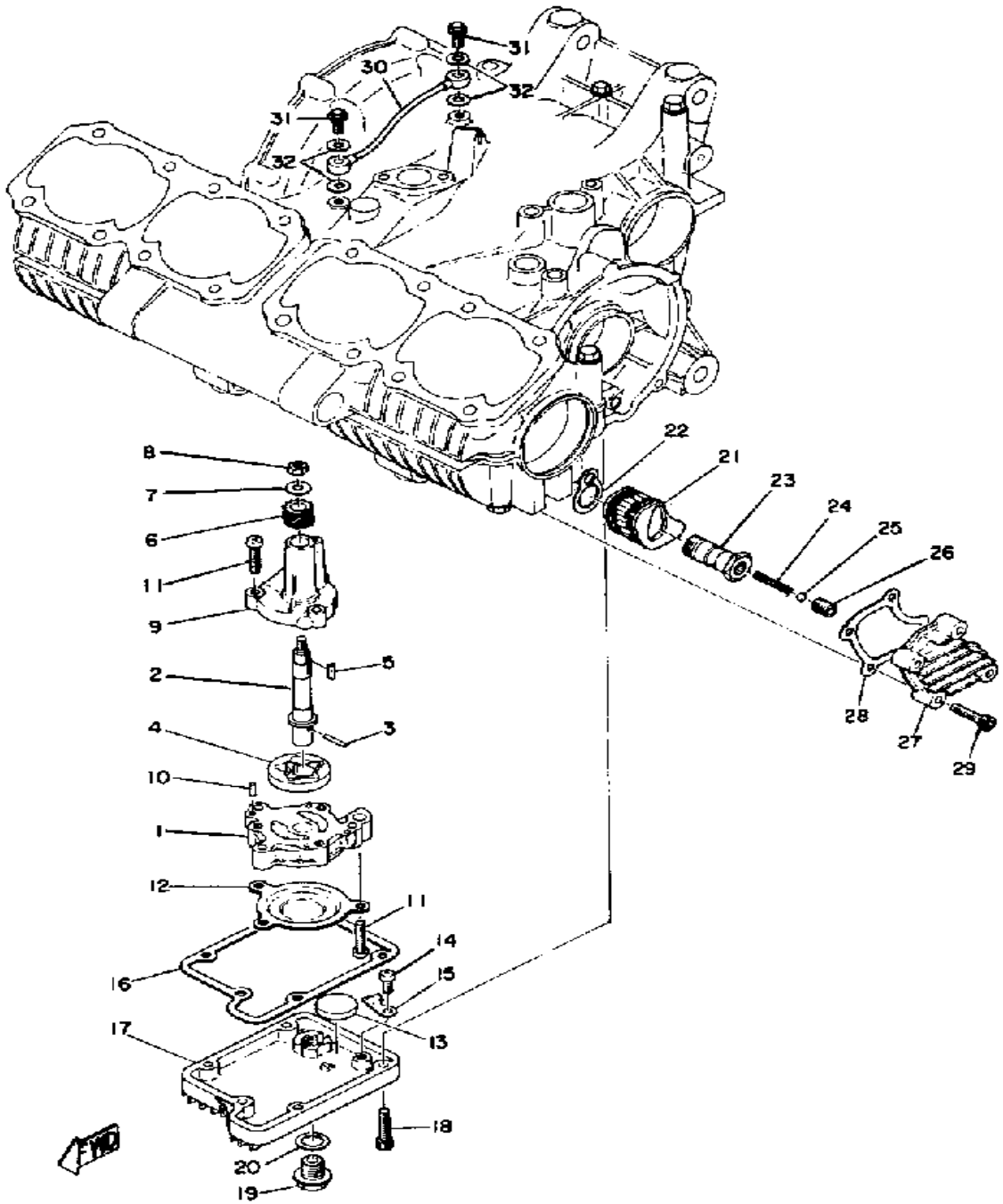


C - D - I - MAGNETO



Ref. No.	Part Number	Description	Qty	Remarks
1	409-85510-10-00	NO LONGER AVAILABLE	1	
2	364-85543-10-00	. COIL PULSER	2	
3	98580-05010-00	. SCREW, PAN HEAD	4	
4	92990-05100-00	. WASHER, SPRING	4	
5	92990-05200-00	. WASHER, PLAIN	4	
6	98580-04008-00	. SCREW, PAN HEAD	1	
7	92901-04100-00	. WASHER, SPRING	1	
8	(409-85550-10-00)	ROTOR ASSEMBLY	1	
9	(409-85515-10-00)	LEAD WIRE ASSEMBLY	1	
10	98580-06018-00	SCREW, PAN HEAD	2	
11	92995-06100-00	WASHER, SPRING	2	
12	(400-85566-10-00)	COIL, CHARGE 1	1	
13	(400-85567-10-00)	COIL, CHARGE 2	1	
-1	(409-85500-10-00)	CDI MAGNETO ASSEMBLY	1	

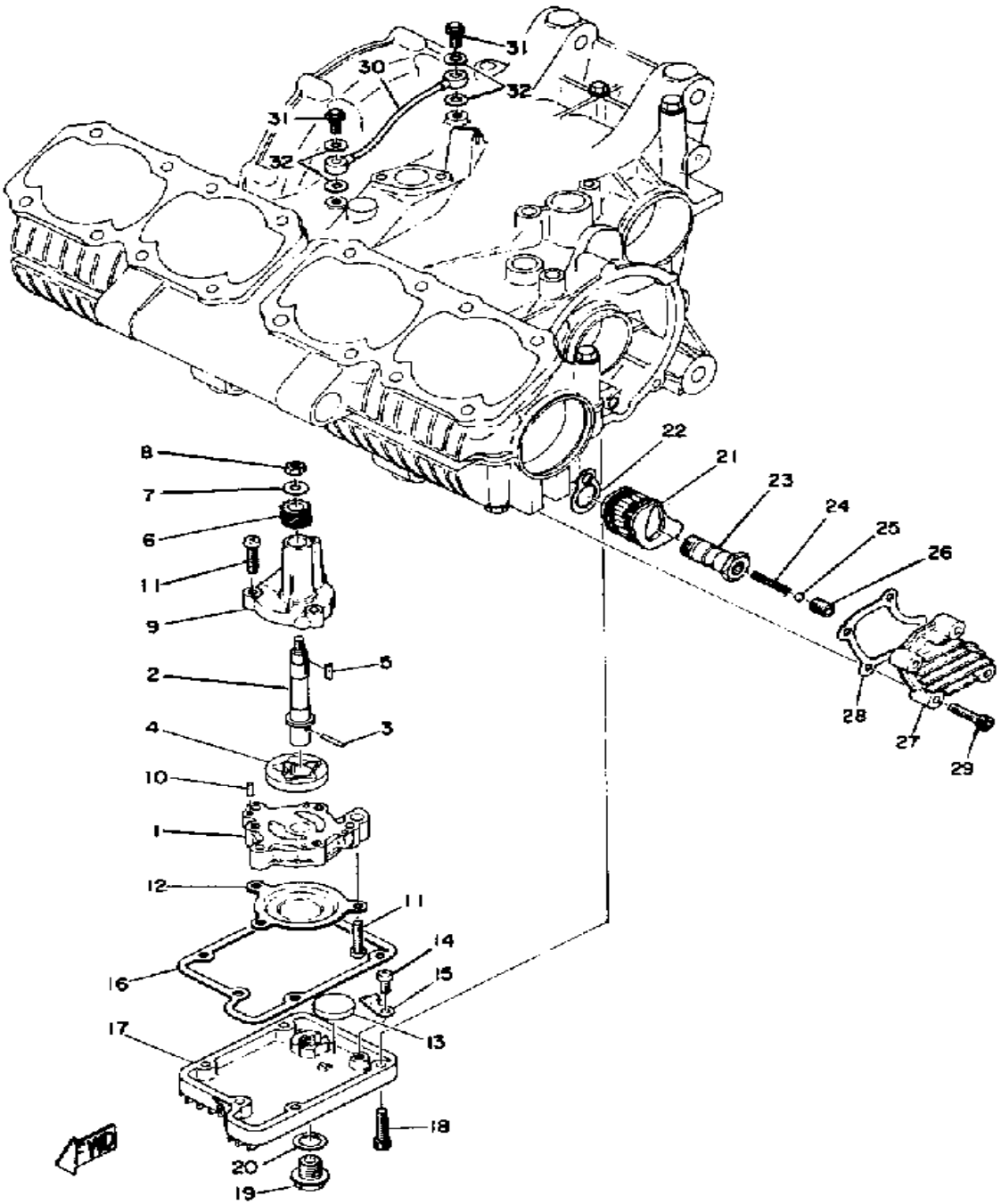
OIL PUMP



Ref. No.	Part Number	Description	Qty	Remarks
1	(409-13336-00-00)	HOUSING, ROTOR	1	
2	1X2-13314-00-00	UNAVAILABLE IN PRICE BOOK	1	
3	90430-06011-00	GASKET	4	
	93603-17070-00	PIN, DOWEL	1	
4	256-13310-02-00	ROTOR ASSEMBLY 1	1	
5	90282-03012-00	KEY, STRAIGHT	1	
6	(409-13325-00-00)	GEAR, PUMP DRIVEN	1	USE WITH 409-11156-00 18T
7	90201-06643-00	WASHER, PLATE	1	
8	95380-06600-00	NUT	1	
9	(409-13316-00-00)	COVER, PUMP	1	
10	93604-10011-00	PIN, DOWEL	2	
11	98511-06025-00	SCREW PAN HEAD (92501-06025)	3	
12	(409-13411-00-00)	STRAINER, OIL	1	
13	(371-13419-00-00)	PLUG	1	
14	98580-06012-00	SCREW, PAN HEAD	1	
15	(90209-06048-00)	WASHER, SPEC'L SHAP	1	
16	1X2-13414-00-00	GASKET, STRNR COVER	1	
17	(409-13417-00-00)	COVER, STRAINER	1	
18	91316-06025-00	BOLT	5	
19	90340-14033-00	PLUG, STRAIGHT SCRW	1	
20	137-15353-00-00	GASKET, DRAIN	1	
21	(409-13417-00-00)	COVER, STRAINER	1	
22	(409-13445-00-00)	GASKET, ELEMENT	1	
23	(90401-16012-00)	BOLT, UNION	1	
24	90501-07031-00	SPRING, COMPRESSION	1	
25	93501-04011-00	BALL	1	
26	90149-10019-00	SCREW, SPEC'L SHAPE	1	

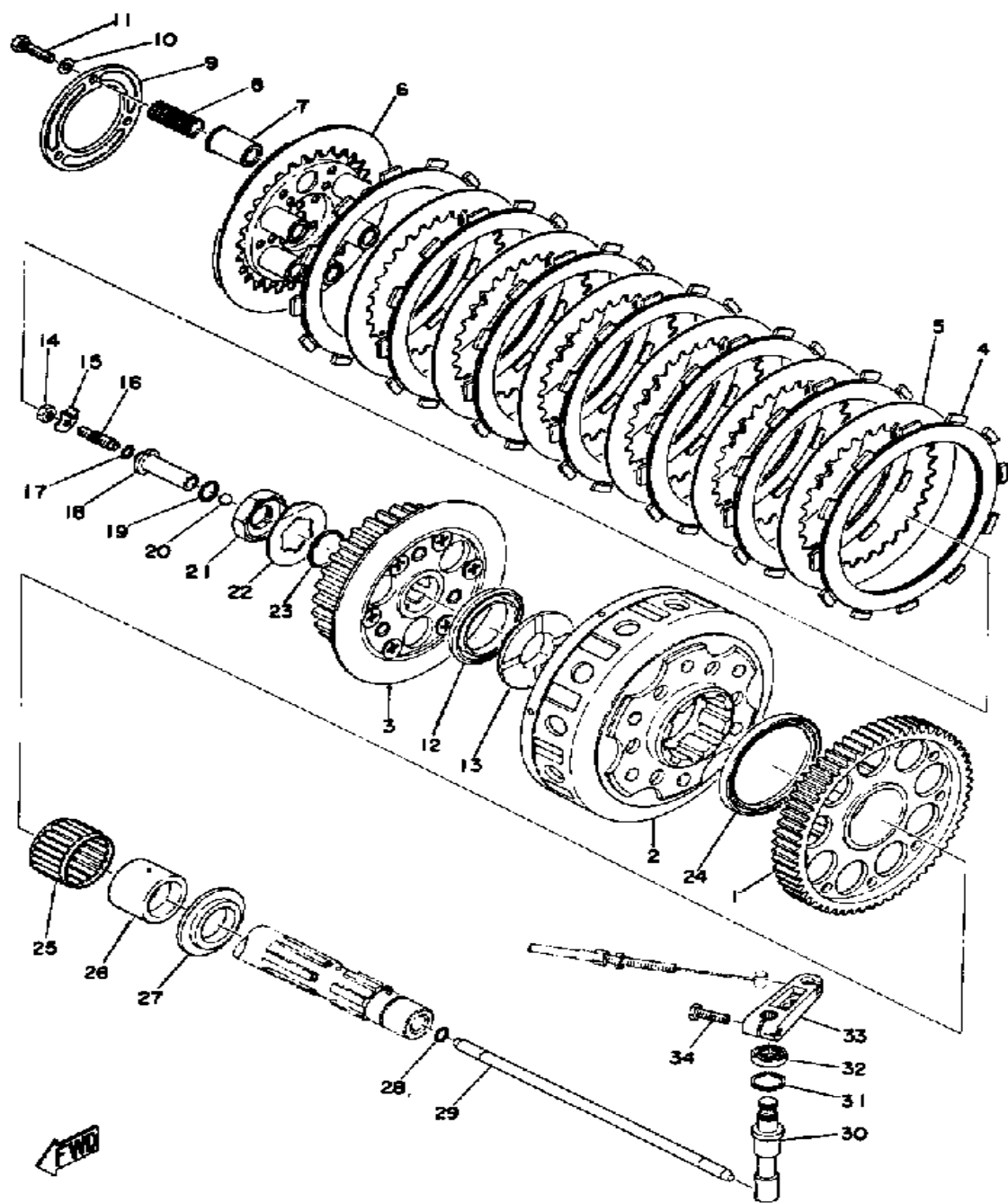
CONTINUED ON NEXT FRAME ►

OIL PUMP



Ref. No.	Part Number	Description	Qty	Remarks
27	(1X2-13447-00-00)	COVER, OIL ELEMENT	1	
28	(409-13449-00-00)	GASKET, ELMNT COVER	1	
29	91316-06025-00	BOLT	4	
30	(409-13161-00-00)	PIPE, DELIVERY 1	1	
31	90401-06001-00	BOLT, UNION	2	
6-1	(409-13325-01-00)	GEAR, PUMP DRIVEN	1	USE WITH 409-11156-01 15T

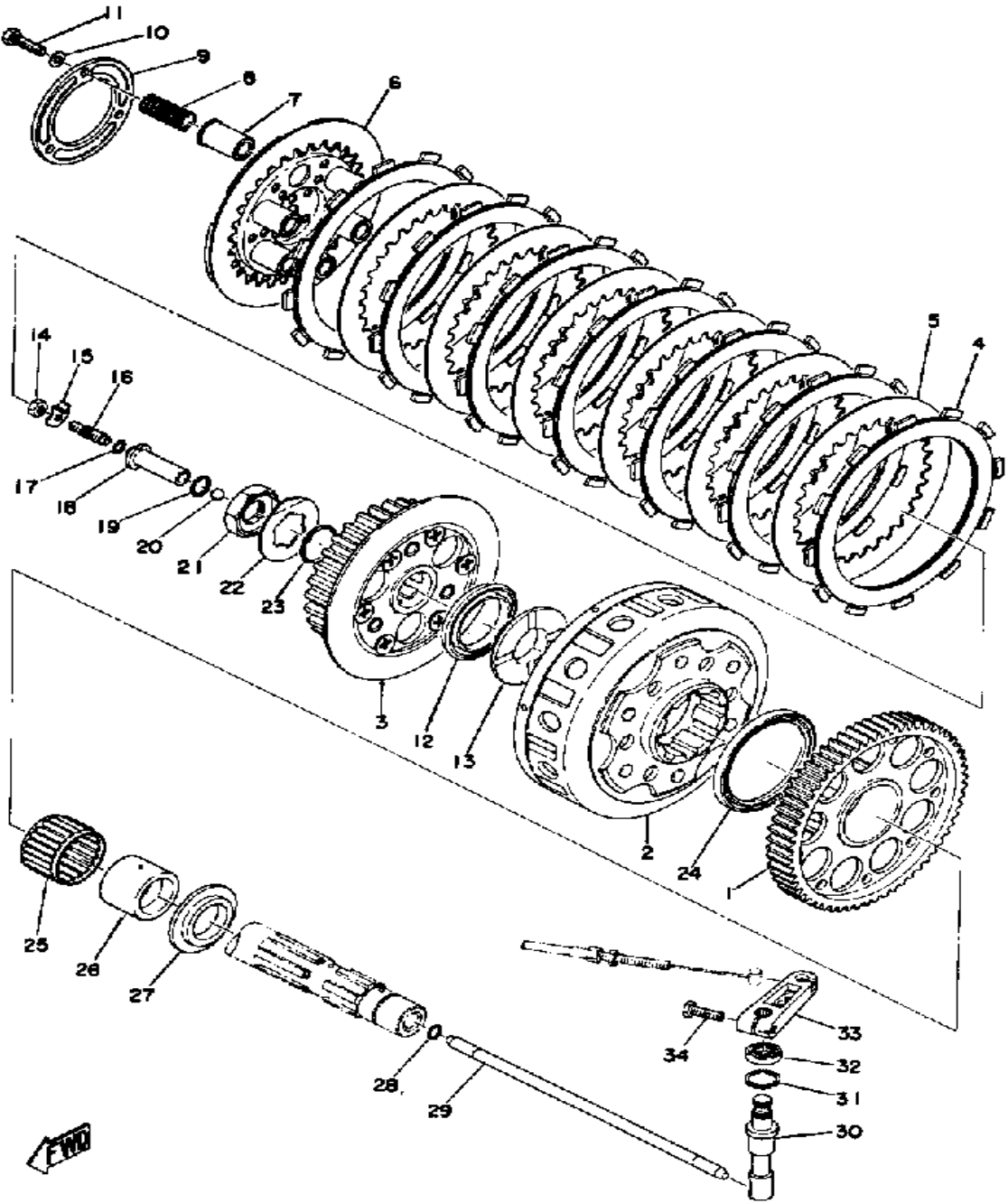
CLUTCH



Ref. No.	Part Number	Description	Qty	Remarks
1	(409-16151-00-00)	GEAR, PRI DRIVEN	1	
2	(409-16160-01-00)	BUFFER BOSS ASSEMBLY	1	
3	(409-16370-00-00)	CLUTCH BOSS ASSEMBLY	1	
4	(409-16321-00-00)	PLATE, FRICTION	7	
5	256-16325-00-00	. PLATE, CLUTCH 2	6	
6	(409-16351-91-00)	PLATE, PRESSURE 1	1	
7	(409-16352-00-00)	PLATE, PRESSURE 2	6	
8	90501-23141-00	. SPRING, COMPRESSION	6	
9	(409-16352-00-00)	PLATE, PRESSURE 2	1	
10	92995-06100-00	. WASHER, SPRING	3	
11	97011-06025-00	. BOLT (97001-06025)	3	
12	(93107-42007-00)	OIL SEAL, OS-TYPE	1	
13	(409-16182-00-00)	SPACER 2	1	
14	95380-06600-00	NUT	1	
15	(90215-06051-00)	WASHER, LOCK	1	
16	(409-16343-00-00)	SCREW, ADJUSTING	1	
17	93210-12152-00	O-RING	1	
18	256-16325-00-00	PLATE, CLUTCH 2		
19	93210-12152-00	O-RING	1	
20	93210-26240-00	O-RING	1	
20	93505-16006-00	BALL	1	
21	90179-22063-00	NUT	1	
22	90215-26024-00	WASHER, LOCK	1	
23	93210-26240-00	O-RING	1	
24	93102-66439-00	OIL SEAL, S-TYPE	1	
25	(93310-34072-00)	BEARING, CYLINDER.# 0	1	
26	(409-16181-00-00)	SPACER 1	1	
27	(409-16181-00-00)	SPACER 1	1	
28	93210-07540-00	O-RING	1	

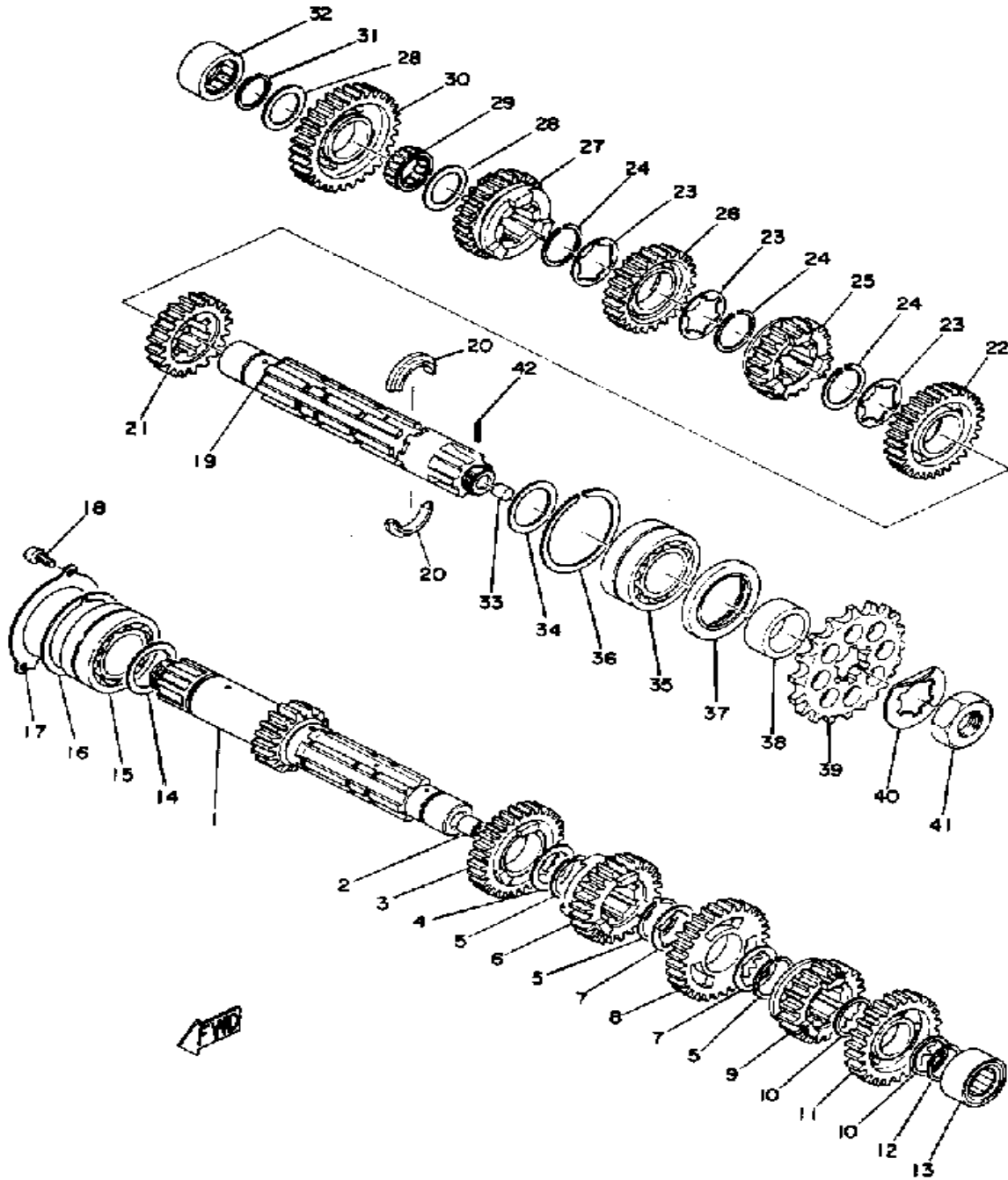
CONTINUED ON NEXT FRAME ➤

CLUTCH



Ref. No.	Part Number	Description	Qty	Remarks
29	(409-16181-00-00)	SPACER 1	1	
30	(409-16357-00-00)	ROD, PUSH 2	1	
31	(93420-21038-00)	CIRCLIP, R-TYPE	1	
32	(93102-12123-00)	OIL SEAL, SD-TYPE	1	
33	(409-16362-01-00)	LEVER, PUSH 2	1	
34	97011-06020-00	BOLT	1	
-1	(409-16160-01-00)	BUFFER BOSS ASSEMBLY	1	N/A
33-1	(409-16362-01-00)	LEVER, PUSH 2	1	FROM E/#324
34-1	97016-06025-00	BOLT	1	FROM E/#324

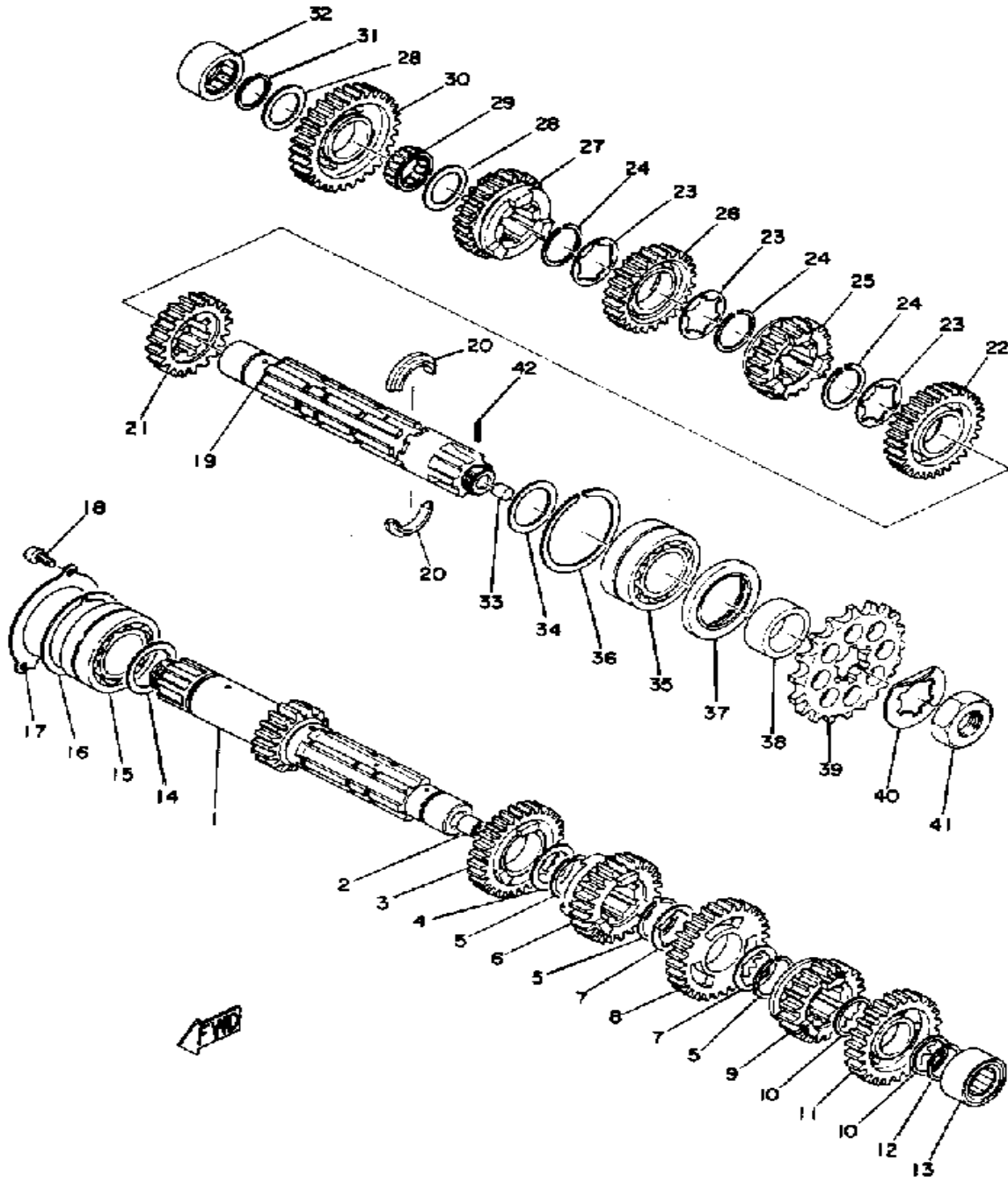
TRANSMISSION



Ref. No.	Part Number	Description	Qty	Remarks
1	(409-17411-00-00)	AXLE, MAIN	1	
2	(409-17447-01-00)	BUSH, MAIN AXLE	1	
3	(409-17141-00-00)	GEAR, 4TH PINION	1	
4	(90201-30399-00)	WASHER, PLATE	1	U.R.
	(90201-30438-00)	WASHER, PLATE	1	U.R.
	90201-30398-00	WASHER, PLATE	1	U.R.
5	(93440-30033-00)	CIRCLIP, OUTER	3	
6	(409-17131-00-00)	GEAR, 3RD PINION	1	
7	(90209-26043-00)	WASHER, SPEC'L SHAP	2	U.R.
	(90209-26060-00)	WASHER, SPEC'L SHAP	2	U.R.
	90209-26042-00	NO LONGER AVAILABLE	2	U.R.
8	(409-17161-00-00)	GEAR, 6TH PINION	1	
9	(409-17121-00-00)	GEAR, 2ND PINION	1	
10	90201-25490-00	WASHER, PLATE	2	
11	(409-17151-00-00)	GEAR, 5TH PINION	1	
12	93440-25020-00	CIRCLIP	1	
13	93311-42517-00	BEARING, CYLINDER.# 1	1	
14	(90201-30400-00)	WASHER, PLATE	1	
	(90201-30401-00)	WASHER, PLATE	1	
15	93305-20603-00	BEARING	1	
16	93440-62032-00	CIRCLIP, OUTER	1	
17	(409-15383-00-00)	PLATE, BRNG COVER	1	
18	98580-06012-00	SCREW, PAN HEAD	3	
19	(409-17421-00-00)	AXLE, DRIVE	1	
20	(409-17429-00-00)	SPACER, DRIVE AXLE	2	
21	(409-17251-00-00)	GEAR, 5TH WHEEL	1	
22	(409-17221-00-00)	GEAR, 2ND WHEEL	1	
23	(90209-26042-00)	WASHER, SPEC'L SHAP	3	U.R.
	(90209-26043-00)	WASHER, SPEC'L SHAP	3	U.R.

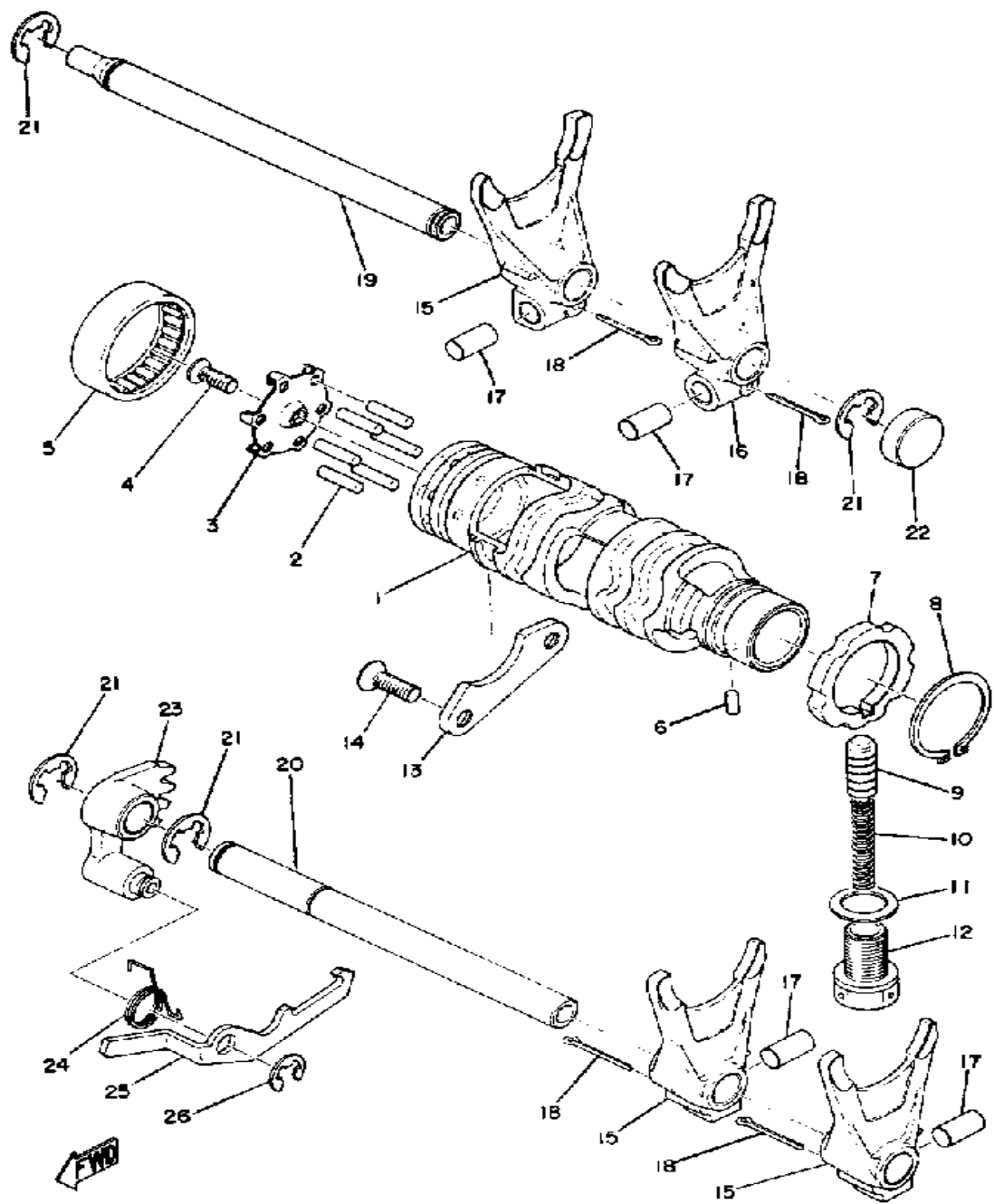
CONTINUED ON NEXT FRAME ➤

TRANSMISSION



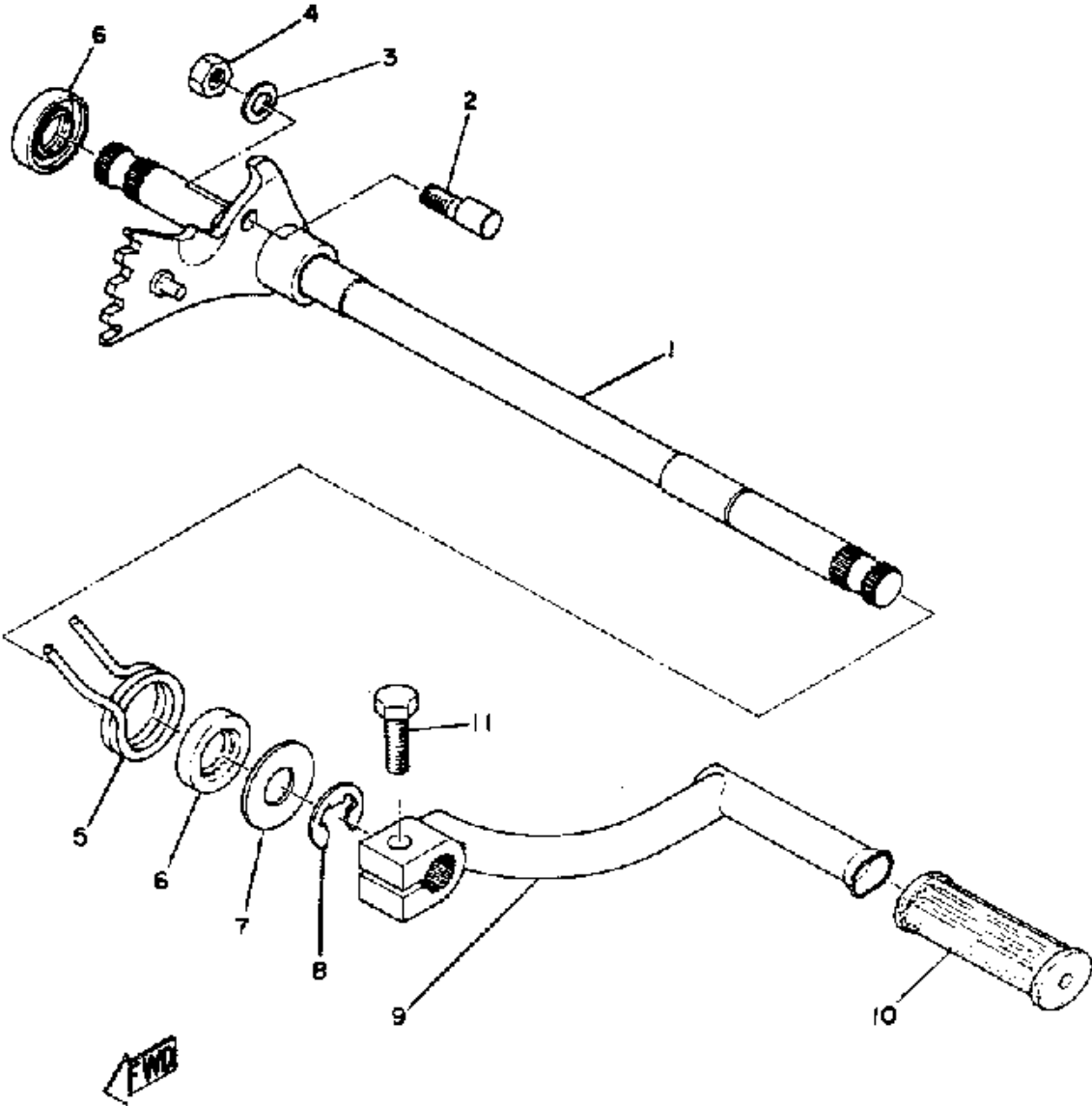
Ref. No.	Part Number	Description	Qty	Remarks
23	(90209-26060-00)	WASHER, SPEC'L SHAP	3	U.R.
24	(93440-30033-00)	CIRCLIP, OUTER	3	
25	(409-17261-00-00)	GEAR, 6TH WHEEL	1	
26	(409-17231-00-00)	GEAR, 3RD WHEEL	1	
27	(409-17241-00-00)	GEAR, 4TH WHEEL	1	
28	90201-256K6-00	WASHER, PLATE (0.9T)	2	
29	(93310-32590-00)	BEARING, CYLINDER.# 0	1	
30	(409-17211-00-00)	GEAR, 1ST WHEEL	1	
31	93440-25020-00	CIRCLIP	1	
32	93311-42517-00	BEARING, CYLINDER.# 1	1	
33	90338-10040-00	PLUG, SPEC'L SHAPE	1	
34	(90201-30400-00)	WASHER, PLATE	1	U.R.
	(90201-30401-00)	WASHER, PLATE	1	U.R.
35	93305-20603-00	BEARING	1	
36	93440-62032-00	CIRCLIP, OUTER	1	
37	(93102-40125-00)	OIL SEAL, SD-TYPE	1	
38	(90387-30247-00)	COLLAR	1	
39	(409-17461-80-00)	SPROCKET, DRIVE	1	
40	90215-26024-00	WASHER, LOCK	1	
41	90179-22063-00	NUT	1	
42	(91609-20016-00)	PIN, SPRING	1	
9-1	(409-17121-02-00)	GEAR, 2ND PINION	1	
11-1	(409-17151-02-00)	GEAR, 5TH PINION	1	

SHIFTER 1



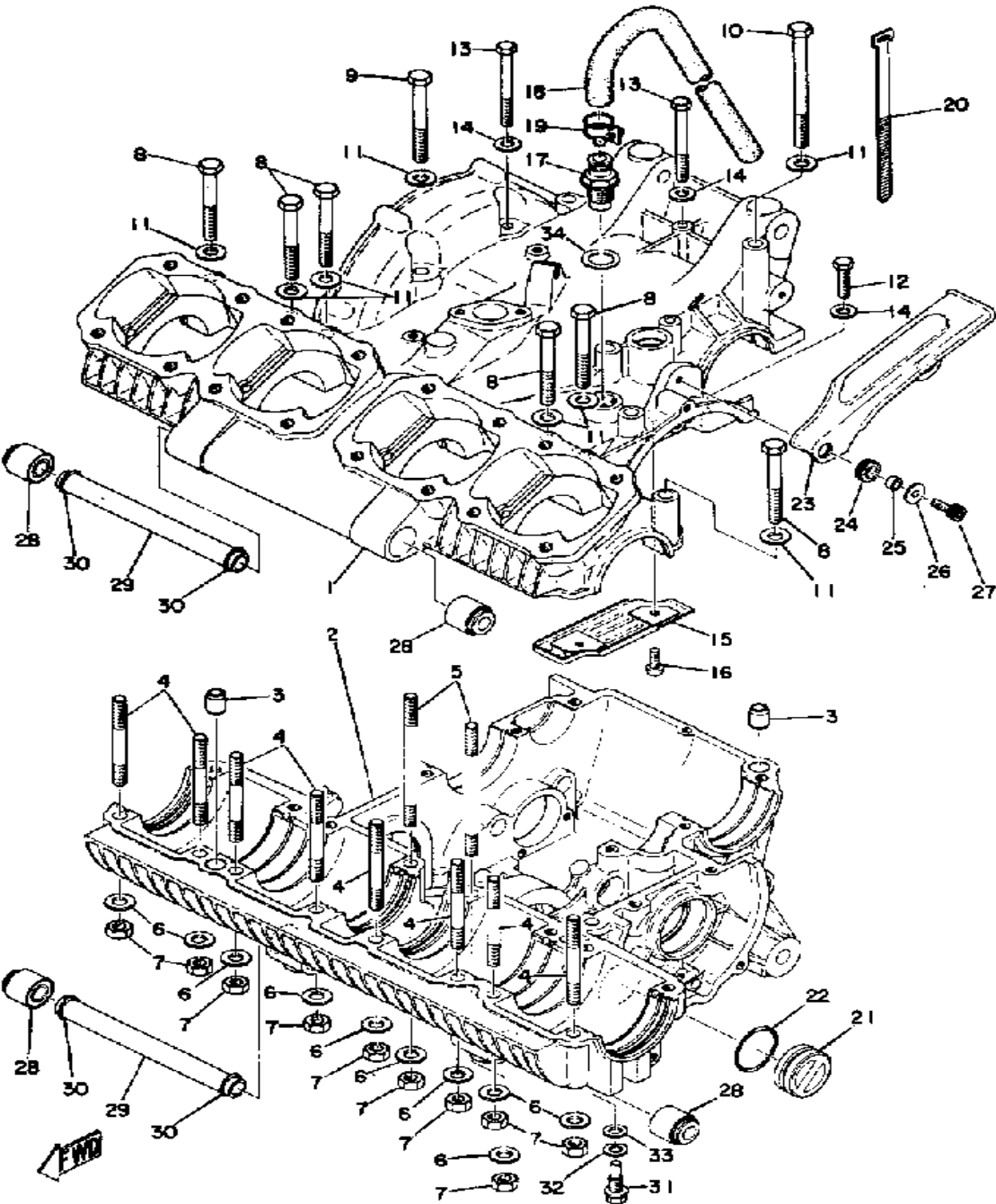
Ref. No.	Part Number	Description	Qty	Remarks
1	(409-18540-01-00)	SHIFT CAM ASSEMBLY	1	
	90250-08017-00	PIN, STRAIGHT	4	
2	93604-16092-00	. PIN, DOWEL	5	
3	(409-18561-00-00)	PLATE, SIDE 1	1	
4	98701-05012-00	. SCREW, FLAT HEAD	1	
5	93315-23612-00	BEARING	1	
6	93604-08071-00	. PIN, DOWEL	1	
7	360-18141-01-00	PLATE, STOPPER	1	
8	99009-30400-00	CIRCLIP	1	
9	278-18547-02-00	STOPPER, CAM	1	
10	90501-10062-00	SPRING, COMPRESSION	1	
11	137-15353-00-00	GASKET, DRAIN	1	
12	(90149-14066-00)	SCREW, SPEC'L SHAPE	1	
13	(409-18562-00-00)	PLATE, STOPPER 2	1	
14	98701-06014-00	SCREW, FLAT HEAD	2	
15	(409-18511-00-00)	FORK, SHIFT 1	3	
16	(409-18512-02-00)	FORK, SHIFT 2	1	
18	91401-25030-00	PIN, COTTER	4	
19	(409-18531-00-00)	BAR, SHIF FRK GDE 1	1	
20	(409-18535-00-00)	BAR, SHIF FRK GDE 2	1	
21	99006-10600-00	CIRCLIP	4	
22	90338-22030-00	PLUG, SPEC'L SHAPE (168-18149-01)	1	
23	(409-18122-00-00)	LEVER, SHIFT 2	1	
24	(90508-08009-00)	SPRING, TORSION	1	
25	(371-18151-00-00)	LEVER, SHIFT 3	1	
26	99080-07600-00	CIRCLIP (E)	1	

SHIFTER 2



Ref. No.	Part Number	Description	Qty	Remarks
1	(409-18101-01-00)	SHIFT SHAFT ASSEMBLY 1	1	
2	90149-06017-00	SCREW, SPEC'L SHAPE (214-18186-00)	1	
3	92995-06100-00	WASHER, SPRING	1	
4	95380-06600-00	NUT	1	
5	90508-32052-00	SPRING, TORSION (214-18124-00)	1	
6	93102-12321-00	OIL SEAL, SD-TYPE	2	
7	90201-12575-00	WASHER, PLATE	1	
8	99006-10600-00	CIRCLIP	1	
9	(409-18111-01-93)	PEDAL, SHIFT	1	
10	240-18113-00-00	COVER, SHIFT PEDAL	1	
11	97011-06020-00	BOLT	1	

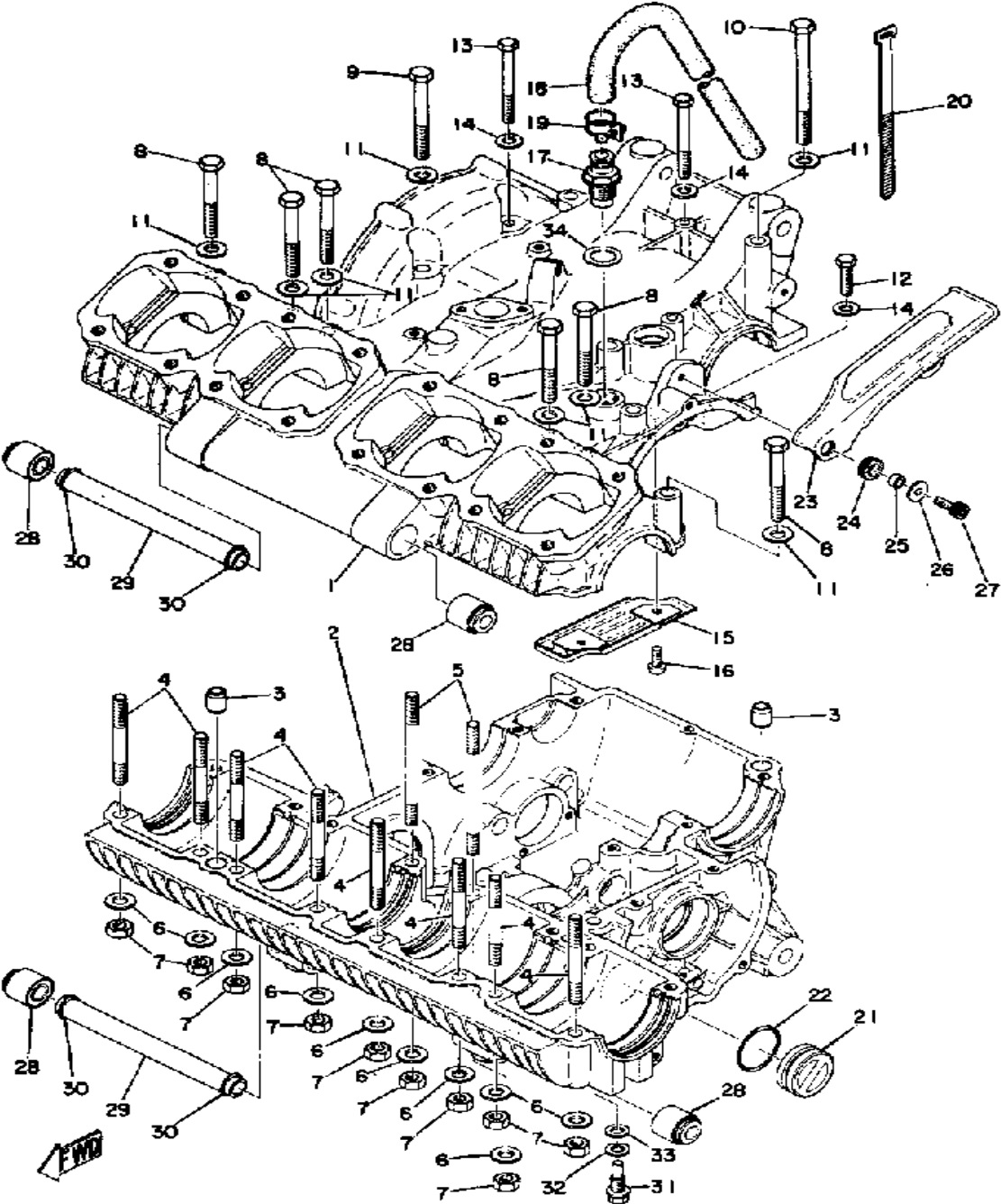
CRANKCASE



Ref. No.	Part Number	Description	Qty	Remarks
2	90560-05001-00	SPACER	2	
3	99510-12016-00	PIN, DOWEL	2	
4	90116-08196-00	BOLT, STUD	8	
5	90116-08232-00	BOLT, STUD	2	
6	92990-08200-00	WASHER, PLAIN	10	
7	95333-08600-00	NUT, HEXAGON	10	
8	97013-08060-00	BOLT (663)	7	
9	97021-08070-00	BOLT	3	
10	97022-08100-00	BOLT	1	
11	92990-08200-00	WASHER, PLAIN	11	
12	97013-06035-00	BOLT	1	
13	97313-06065-00	BOLT, HEXAGON	3	
14	92990-06200-00	WASHER	4	
15	(409-11165-01-00)	PLATE, BREATHER	1	
16	98580-06010-00	SCREW, PAN HEAD (92503-06010)	2	
17	(409-15371-01-00)	BREATHER	1	
18	90445-16202-00	NO LONGER AVAILABLE	1	
19	(90460-14003-00)	CLAMP, HOSE	1	
20	437-83936-11-00	BAND, SWITCH CORD	2	
21	(90338-35019-00)	PLUG, SPEC'L SHAPE	1	
22	93210-29147-00	O-RING	1	
23	(409-15418-01-00)	COVER, CHAIN CASE	1	
24	90480-12096-00	GROMMET (141-82596-00)	2	
26	90201-06M08-00	WASHER, PLATE	2	
27	91316-05010-00	BOLT, SOCKET HEAD	2	
28	3XV-15316-10-00	DAMPER, ENG MOUNT 1	4	
29	(90560-11134-00)	SPACER	2	
30	(93210-12015-00)	O-RING	4	

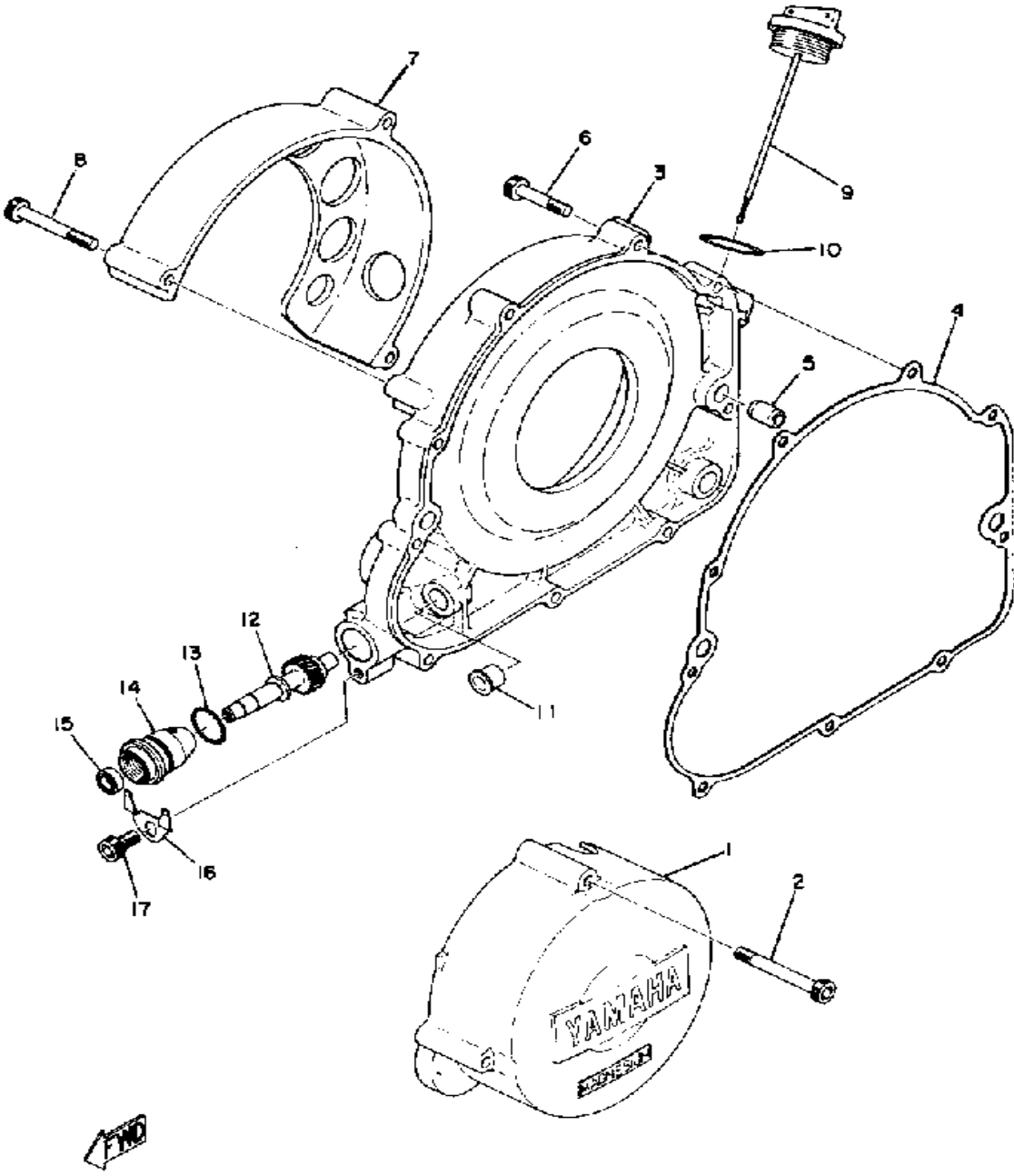
CONTINUED ON NEXT FRAME ►

CRANKCASE



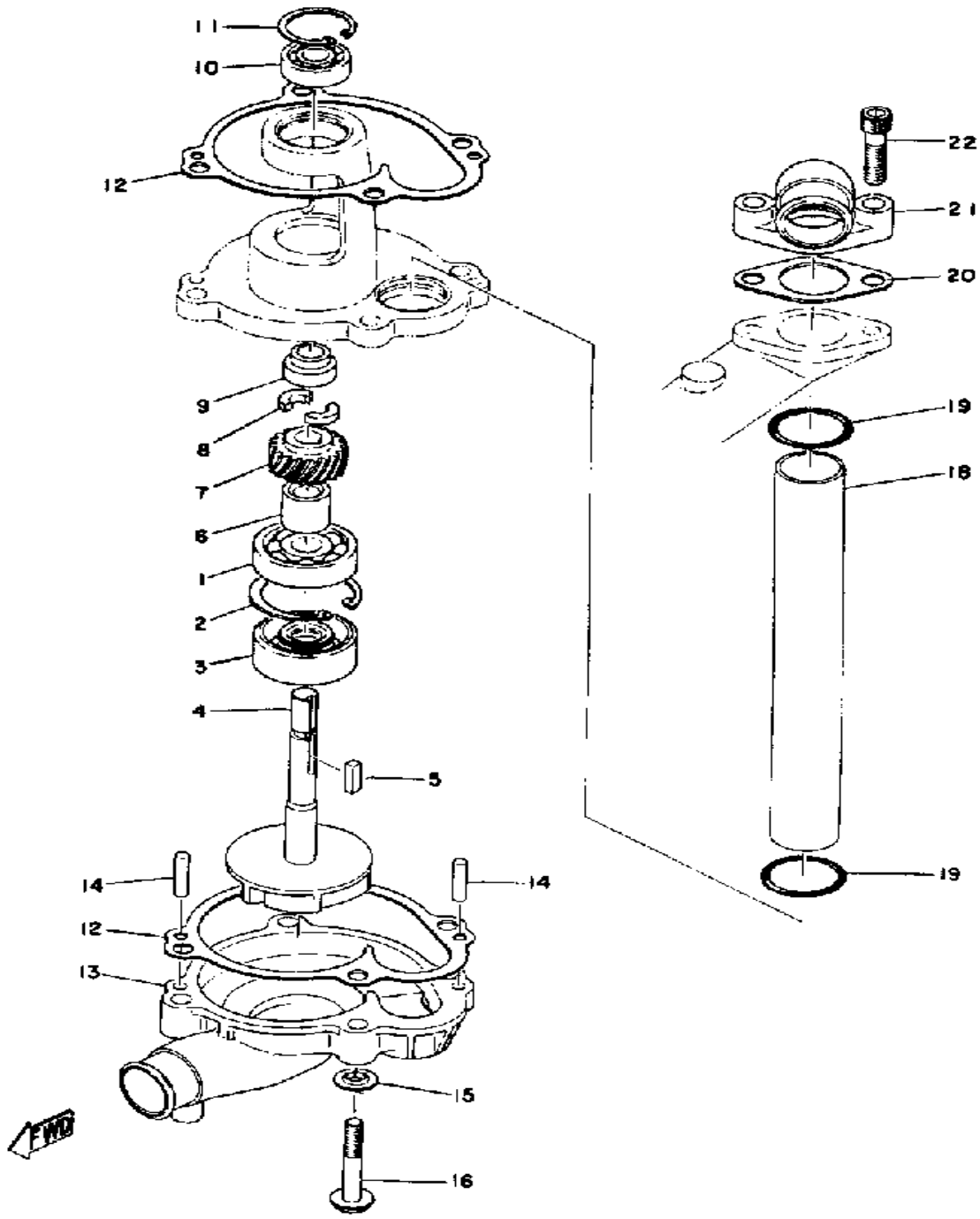
Ref. No.	Part Number	Description	Qty	Remarks
31	(90109-08259-00)	BOLT	1	
32	92990-08100-00	WASHER	1	
33	92901-08600-00	WASHER	1	
34	90430-16068-00	GASKET	1	
-1	409-15100-01-00	CRANKCASE ASSEMBLY (1X2-15100-00)	1	

CRANKCASE COVER - TACHOMETER GEAR



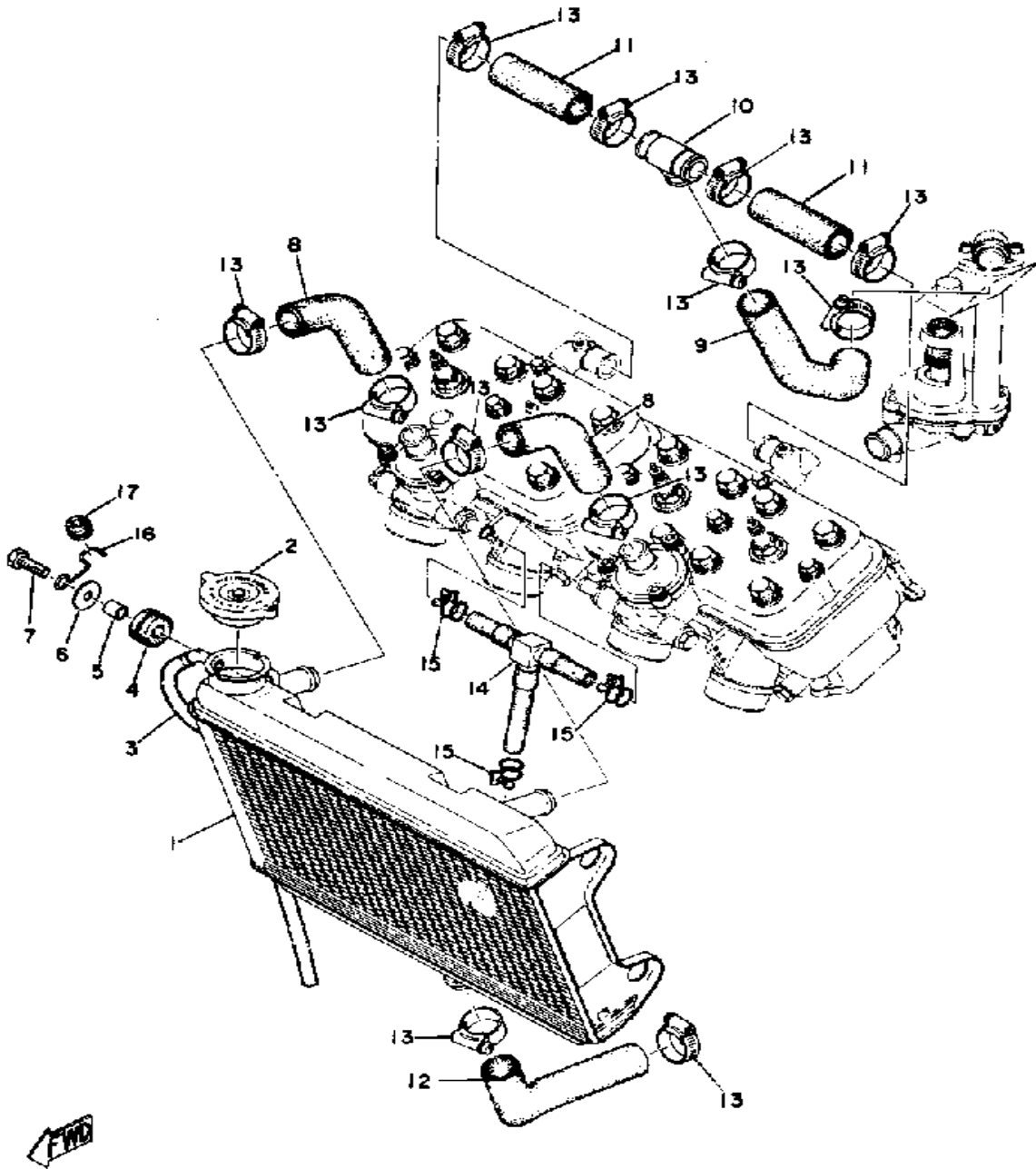
Ref. No.	Part Number	Description	Qty	Remarks
1	(409-15415-00-00)	COVER, GENERATOR	1	
2	91316-06050-00	BOLT, SOCKET HEAD	3	
3	(409-15421-01-00)	COVER, CRANKCASE R	1	
4	409-15461-00-00	GASKET, CRCS CVR 2	1	
5	99530-10014-00	PIN, DOWEL	2	
6	90110-06138-00	BOLT, HEX SKT HEAD	9	
7	(409-15417-00-00)	COVER, CAP	1	
8	91316-06045-00	BOLT, SOCKET HEAD	3	
9	409-15363-01-00	PLUG, OIL LEVEL (4FM-15362-00-00)	1	
10	93210-27778-00	O-RING	1	
11	90381-08002-00	BUSHING (214-17843-00)	1	
12	(409-17841-00-00)	GEAR, DRIVEN	1	
13	93210-16314-00	O-RING	1	
14	438-17811-01-00	HOUSING, TACH GEAR	1	
15	93104-07036-00	OIL SEAL, SO-TYPE	1	
16	438-17812-00-00	STOPPER	1	
17	91316-06012-00	BOLT, SOCKET HEAD	1	

WATER PUMP



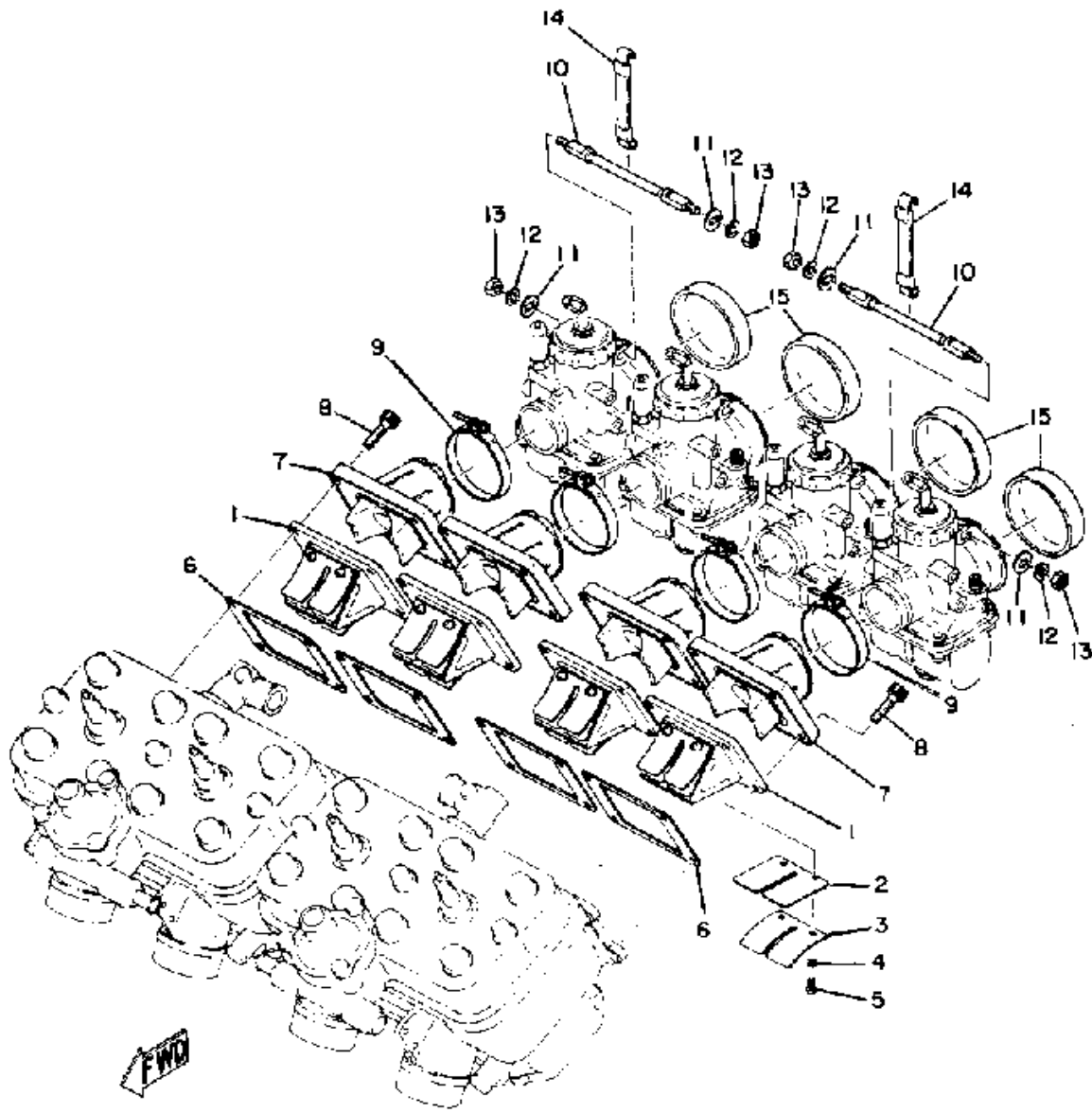
Ref. No.	Part Number	Description	Qty	Remarks
1	93306-20005-00	. BEARING (B6200)	1	
2	99009-32500-00	. CIRCLIP	1	
3	93103-10168-00	. OIL SEAL	1	
4	(409-12450-02-00)	IMPELLER SHAFT ASSEMBLY	1	
5	(90282-03012-00)	KEY, STRAIGHT	1	
6	(90387-08267-00)	COLLAR	1	
7	(409-12459-01-00)	GEAR, IMPELLER SHAF	1	
8	(383-12424-00-00)	PLATE, CRTRGE INNER	2	
9	(383-12423-00-00)	CARTRIDGE, WTR PUMP	1	
10	93300-60814-00	. BEARING (608M4ML01)	1	
11	93420-22026-00	. CIRCLIP, R-TYPE	1	
12	409-12427-00-00	. GASKET, HSNG CVR 1	2	
13	(409-12422-00-00)	COVER, HOUSING	1	
14	93604-18058-00	PIN, DOWEL	2	
15	90210-06006-00	WASHER, SEAL	4	
16	95816-08035-00	BOLT, FLANGE	4	
17	90201-08624-00	WASHER, PLATE	1	
18	(90440-20002-00)	TUBE, STRUCTURE	1	
19	93210-20027-00	O-RING	2	
20	409-15457-00-00	GASKET	1	
21	(409-12479-02-00)	JOINT	1	
22	91316-06025-00	BOLT	2	
-1	(409-12420-02-00)	WATER PUMP ASSEMBLY	1	
7-1	(409-12459-01-00)	GEAR, IMPELLER SHAF	1	
19-1	93210-20256-00	O-RING	2	
21-1	(409-12479-03-00)	JOINT	1	

RADIATOR



Ref. No.	Part Number	Description	Qty	Remarks
1	(409-12460-00-00)	RADIATOR ASSEMBLY	1	
2	11H-12462-00-00	. CAP, RADIATOR	1	
3	(383-12463-00-00)	PIPE, BREATHER	1	
4	90480-20131-00	GROMMET	4	
5	90387-08060-00	COLLAR	4	
6	(90201-09368-00)	WASHER, PLATE	4	
7	(90103-08015-00)	BOLT, HEAD W/HOLE	4	
8	(409-12481-00-00)	PIPE 1	2	
9	(409-12485-00-00)	PIPE 5	1	
10	(409-12498-00-00)	JOINT	1	
11	(409-12476-00-00)	PIPE 6	2	
12	(409-12477-00-00)	PIPE 7	1	
13	90460-38292-00	CLAMP, HOSE	12	
14	(409-12482-01-00)	PIPE 2	1	
15	(90460-14003-00)	CLAMP, HOSE	3	
16	(90462-20002-00)	CLAMP	1	
17	90480-10178-00	GROMMET	1	

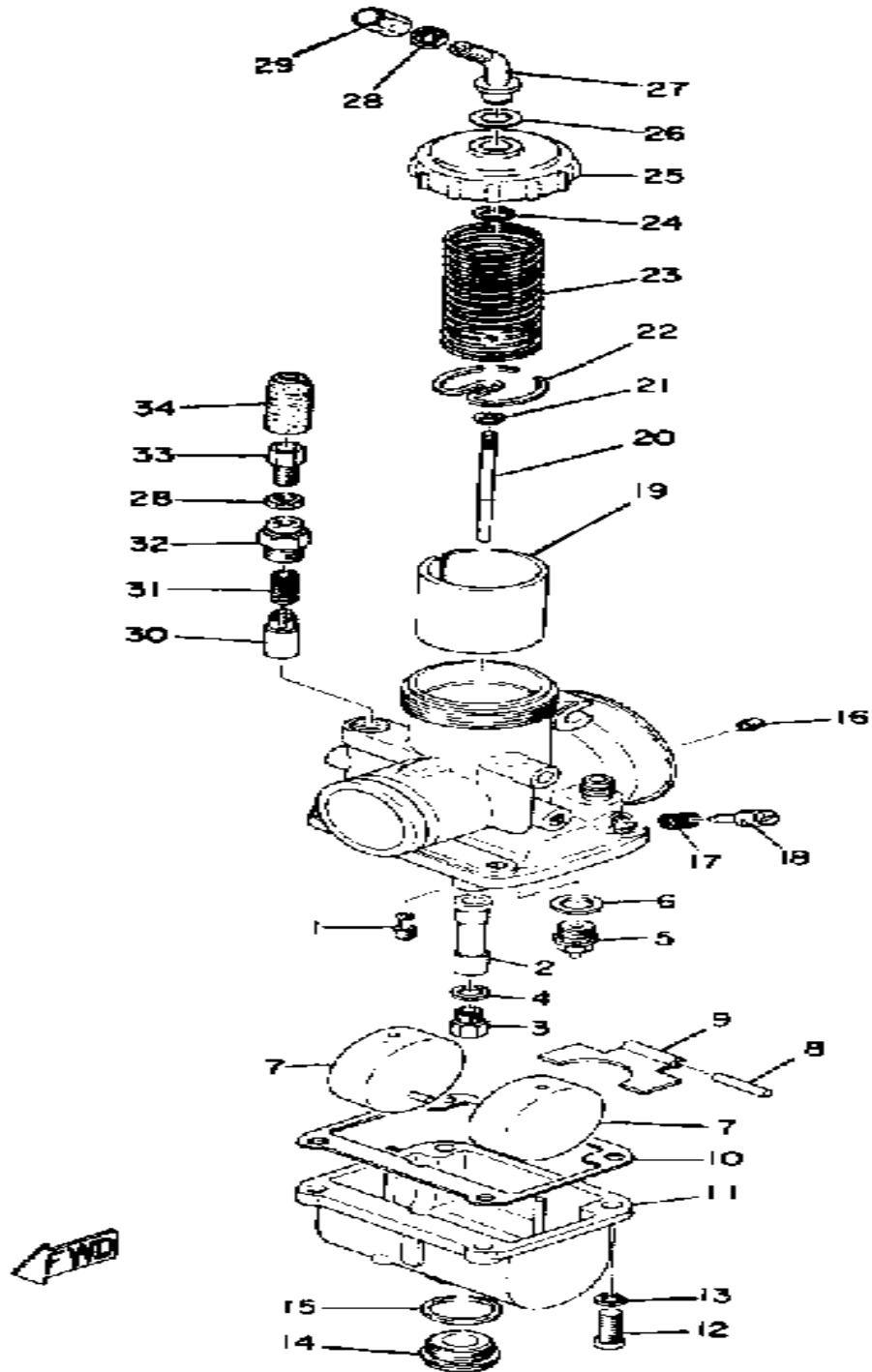
INTAKE



Ref. No.	Part Number	Description	Qty	Remarks
1	10V-13610-01-00	REED VALVE ASSEMBLY (885-13610-00)	4	
2	10V-13613-01-00	. REED, VALVE (1L8-13613-00)	8	
3	1UA-13616-00-00	. STOPPER REED VALVE VALVE (10V-13616-01)	8	
4	92990-03100-00	. WASHER, SPRING (92901-03100)	16	
5	98580-03008-00	. SCREW, PAN HEAD	16	
6	3TT-13621-00-00	GASKET, VALVE SEAT	4	
7	409-13565-00-00	JOINT, CARBURETOR	4	
8	91316-06025-00	BOLT	16	
9	90460-49058-00	CLAMP, HOSE	4	
10	(240-14486-00-00)	SCREW, ROD	2	
11	(90209-10033-00)	WASHER, SPEC'L SHAP	4	
12	92990-06200-00	WASHER	4	
13	95380-06600-00	NUT	4	
14	(294-14491-00-00)	HOLDER	2	
15	240-14157-00-00	COVER, MIXING	4	

CARBURETOR

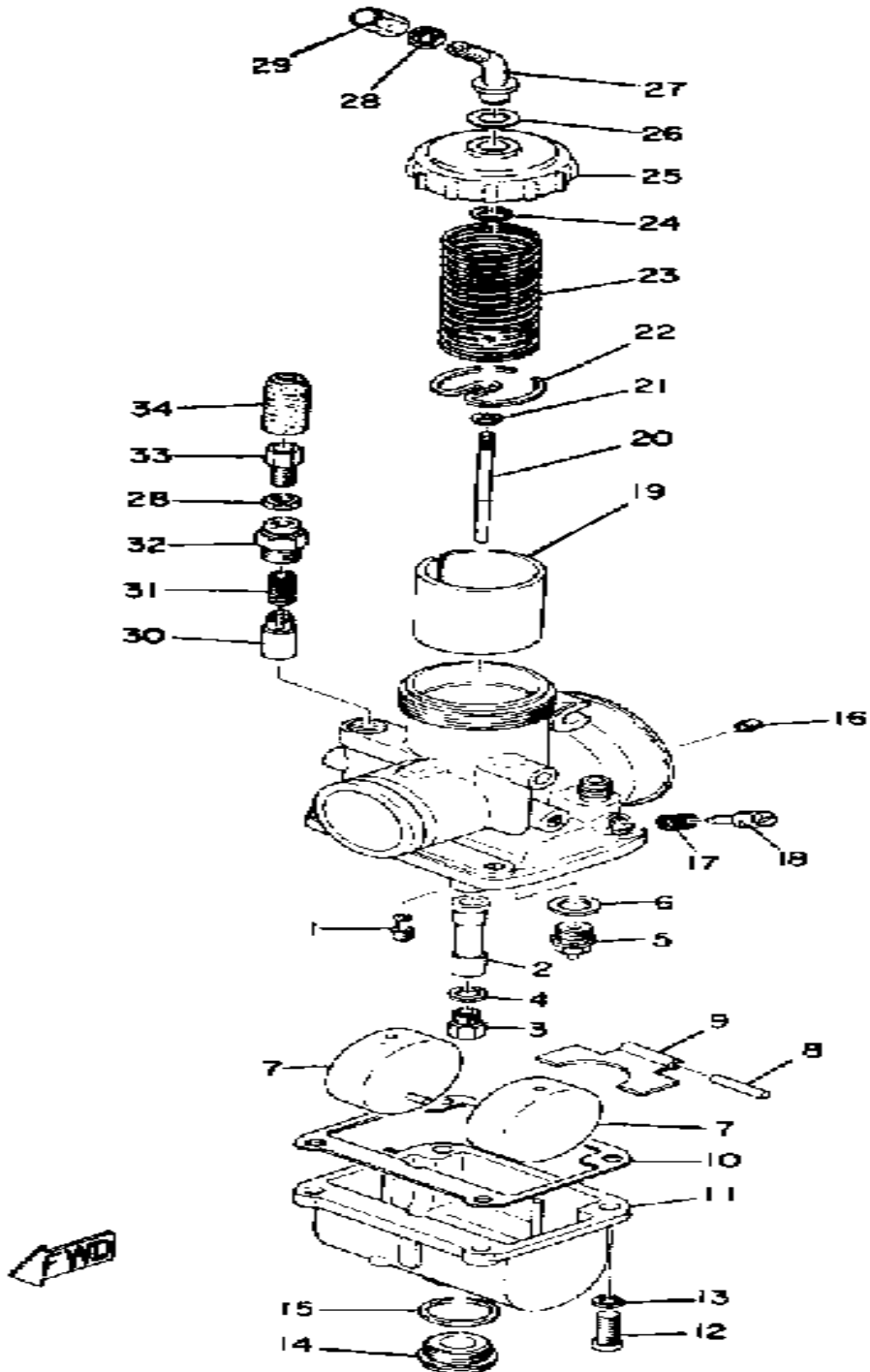
Ref. No.	Part Number	Description	Qty	Remarks
1	193-14142-70-00	. JET, PILOT (# 70)	4	
2	239-14141-32-00	. NOZZLE, MAIN (0-2)	4	
3	137-14143-56-A0	. JET, MAIN (# 280)	4	U.R.
	137-14143-58-A1	. JET, MAIN (# 290)	4	U.R.
	137-14143-60-A0	. JET, MAIN (# 300)	4	U.R.STD
	137-14143-62-A1	. JET, MAIN (#310)	4	U.R.
	137-14143-64-00	. JET, MAIN (#320)	4	U.R.
4	137-14153-00-00	. WASHER, MAIN JET	4	
5	24X-14107-33-00	. NEEDLE VALVE SET (#3.3)	4	
6	239-14195-00-00	. WASHER, NEEDLE VALVE	4	
7	(239-14185-00-00)	FLOAT	8	
8	127-14186-00-00	. PIN, FLOAT	4	
9	(239-14187-00-00)	ARM, FLOAT	4	
10	(239-14184-00-00)	GASKET, FLOAT CHMBR	4	
11	(239-14181-00-00)	BODY, FLOAT CHMBR 1	4	
12	98580-05016-00	. SCREW, PAN HEAD (98501-05016)	16	
13	92990-05100-00	. WASHER, SPRING	16	
14	(239-14115-00-00)	PLUG, SCREW	4	
15	239-14117-00-00	. WASHER, PLUG SCREWS	4	
16	239-14172-20-00	. PILOT JET, AIR (2.0)	4	
17	127-14134-00-00	. SPRING, AIR ADJUSTING	4	
18	23X-14104-00-00	. AIR SCREW SET	4	
19	(239-14112-25-00)	VALVE, THROTTLE 1	4	
20	239-14116-09-00	. NEEDLE	4	
21	164-14137-00-00	. CLIP	4	
22	239-14136-00-00	. SEAT, SPRING	4	
23	(409-14131-00-00)	SPRING, THRTL VALVE	4	



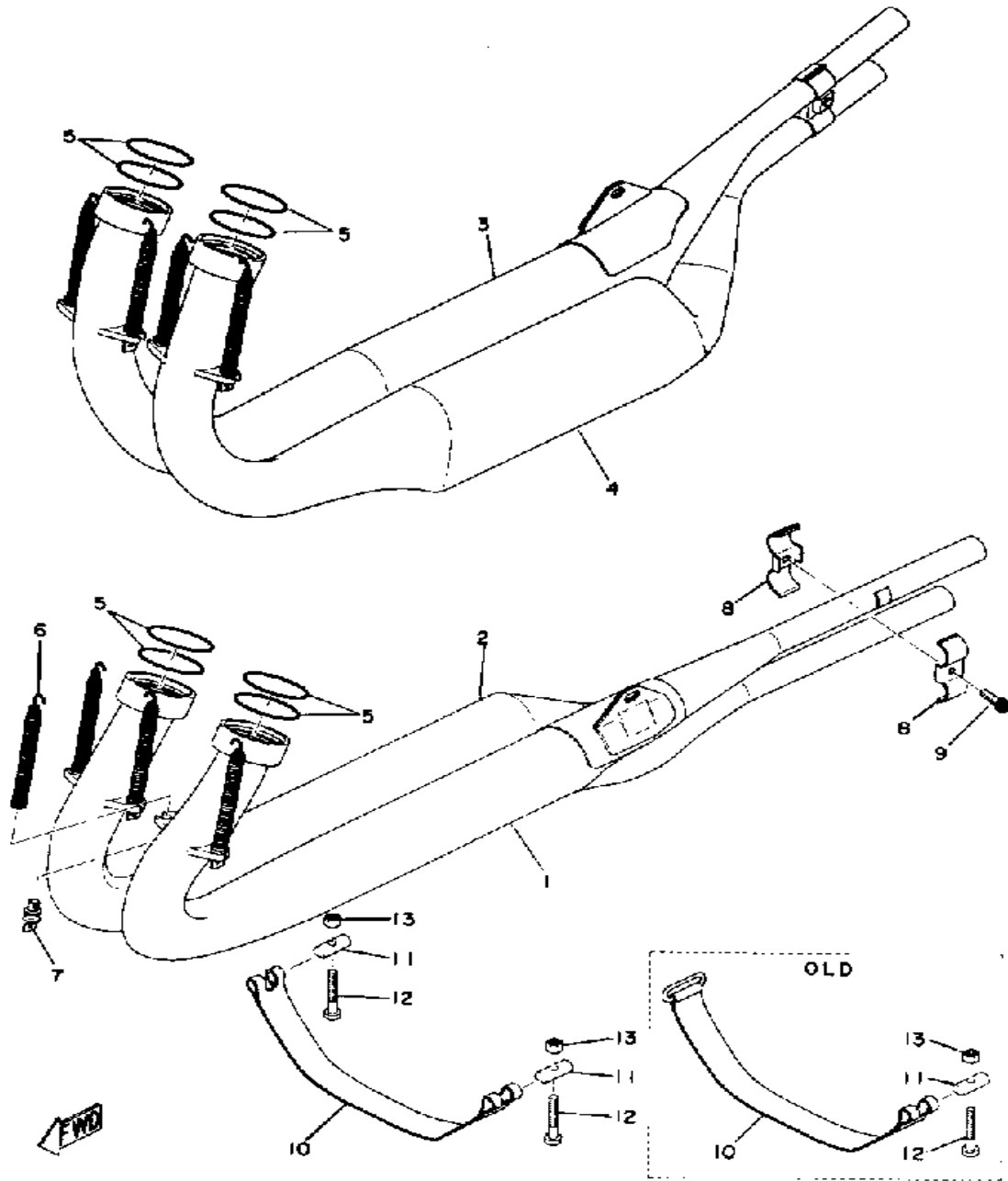
CONTINUED ON NEXT FRAME ►

CARBURETOR

Ref. No.	Part Number	Description	Qty	Remarks
24	363-14137-00-00	. CLIP	4	
25	(409-14158-00-00)	TOP, MIXING CHAMBER	4	
26	363-14198-00-00	. GASKET	4	
27	363-14155-00-00	. GUIDE, CABLE	4	
28	127-14161-00-00	. NUT, CABLE ADJUSTING ...	8	
29	17L-14106-00-00	CABLE ADJUST SCREW SET .	4	
30	58E-14171-00-00	. PLUNGER, STARTER	4	
31	127-14135-00-00	.. SPRING, PLUNGER	4	
32	127-14174-00-00	.. CAP, PLUNGER	4	
33	12G-14106-00-00	.. CABLE ADJUST SCREW SET	4	
34	(174-14169-01-00)	CAP	4	
-1	(409-14101-01-00)	CARBURETOR ASSEMBLY 1 .	4	

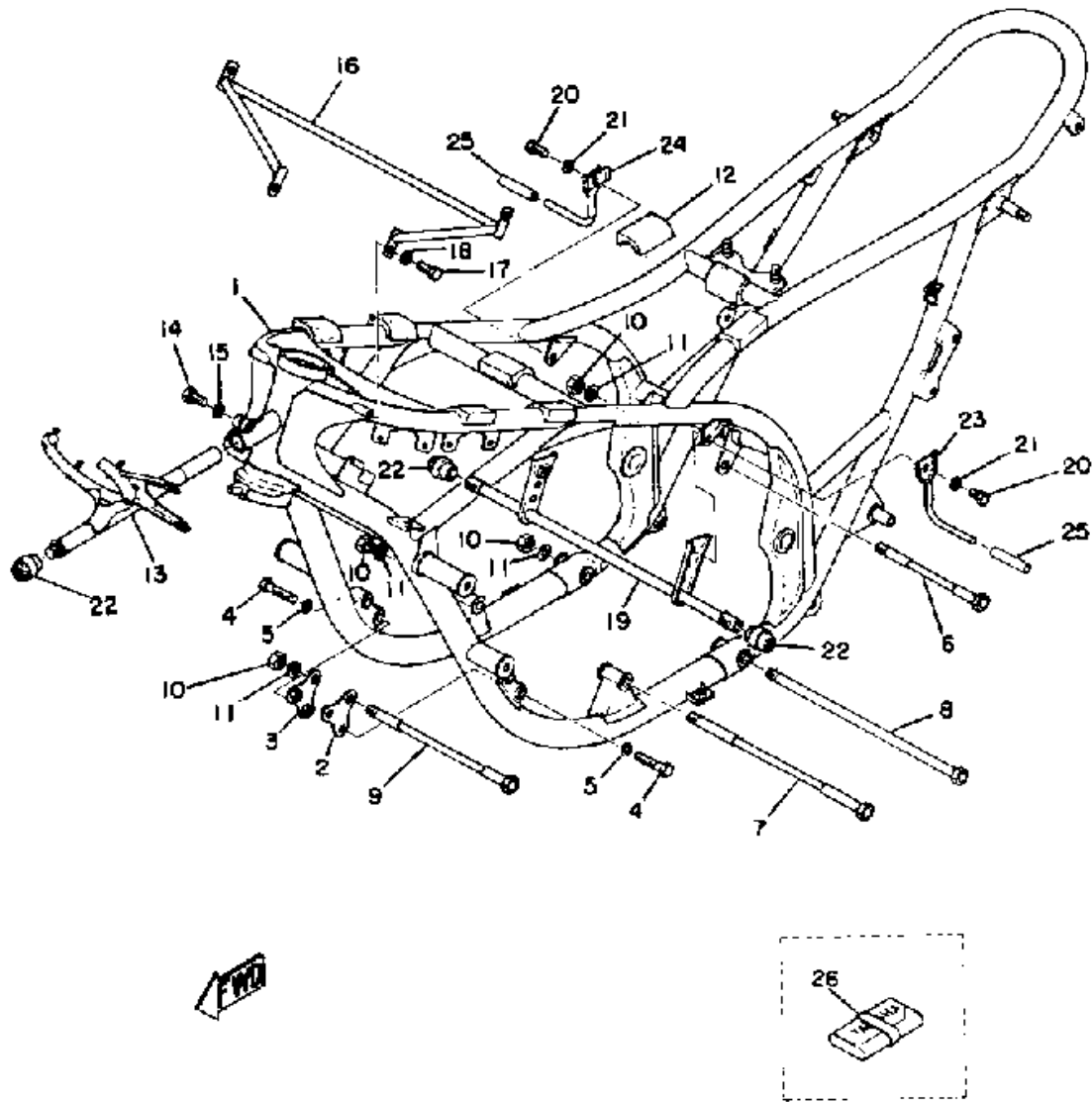


EXHAUST



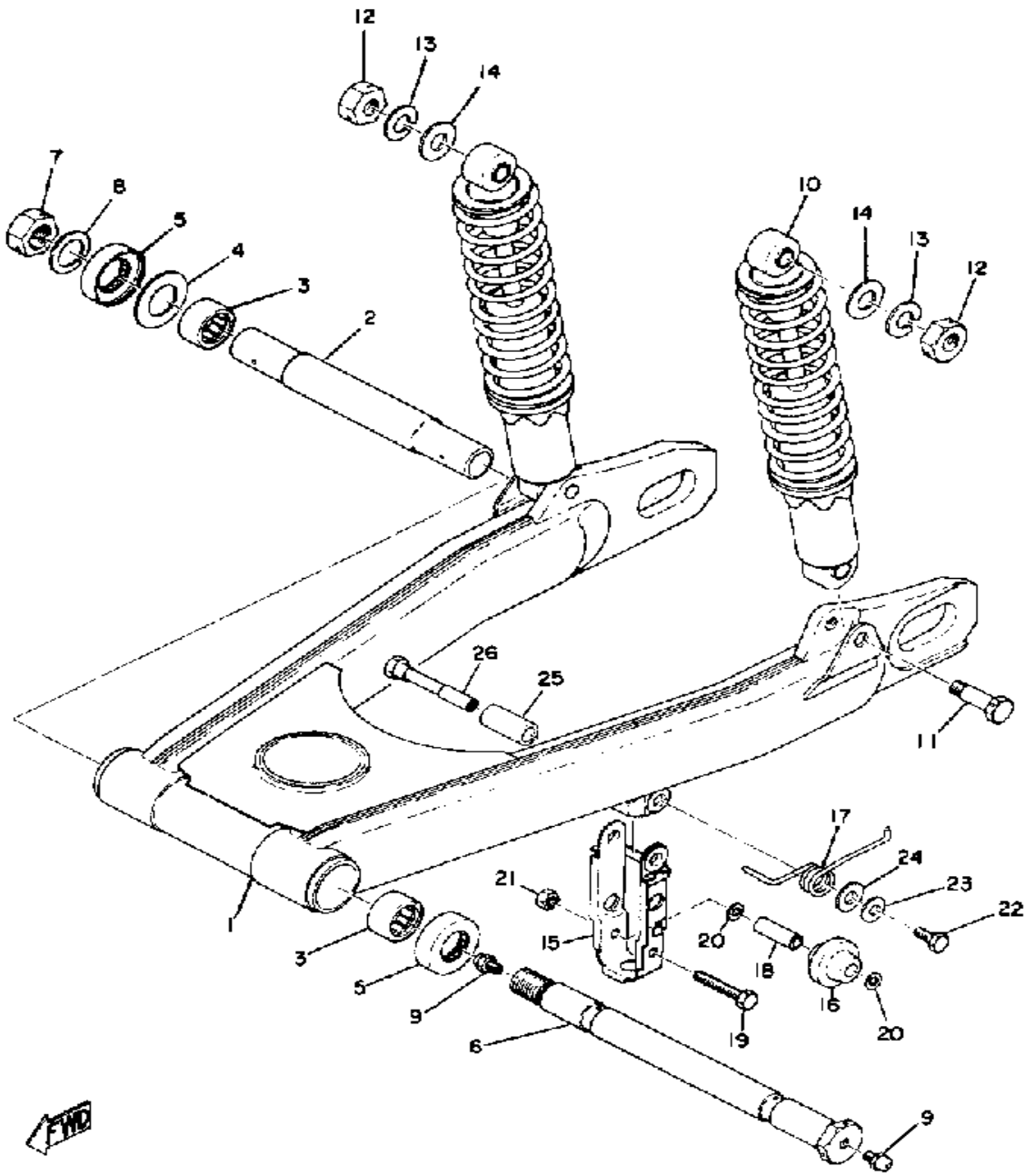
Ref. No.	Part Number	Description	Qty	Remarks
1	(409-14611-01-00)	PIPE, EXHAUST L	1	
2	(409-14621-01-00)	PIPE, EXHAUST R	1	
3	(409-14631-01-00)	PIPE, EXHAUST 3	1	
4	(409-14641-01-00)	PIPE, EXHAUST 4	1	
5	93210-48208-00	O-RING	8	
6	90507-20013-00	SPRING, TENSION (409-14683-00)	8	
7	409-14684-00-00	BOLT, HOOK	8	
8	(409-14771-00-00)	STAY, MUFFLER 1	2	
9	91316-06020-00	BOLT, SOCKET HEAD	2	
10	(409-14715-01-00)	BAND, MUFFLER	1	
	(409-14715-03-00)	BAND, MUFFLER	1	
11	(409-14745-00-00)	SHAFT	2	
12	90157-06004-00	SCREW, PAN HEAD (810-83925-00)	2	
13	95380-06600-00	NUT	2	
1-1	(409-14611-02-00)	PIPE, EXHAUST L	1	E/#000314
2-1	(409-14621-02-00)	PIPE, EXHAUST R	1	E/#000314
3-1	(409-14631-02-00)	PIPE, EXHAUST 3	1	E/#000314
4-1	(409-14641-02-00)	PIPE, EXHAUST 4	1	E/#000314
12-1	(90153-06013-00)	SCREW, HEXAGON	2	

FRAME



Ref. No.	Part Number	Description	Qty	Remarks
1	(409-21110-01-00)	FRAME	1	
2	(409-21411-00-00)	BRACKET, ENGINE 1	1	
3	(409-21411-00-00)	BRACKET, ENGINE 1	1	
4	97313-08040-00	BOLT, HEXAGON (97322-08040)	4	
5	92990-08100-00	WASHER	4	
6	90105-10054-00	NO LONGER AVAILABLE	1	10+ - 212
7	90105-10401-00	BOLT, WASHER BASED	1	10+ - 266
8	90105-10056-00	BOLT, WASHER BASED	1	10+ - 292
9	90105-10053-00	BOLT, WASHER BASED	1	10+ - 154
10	95303-10600-00	NUT (95301-10600)	4	
11	92990-10100-00	LOCKWASHER	4	
12	240-24181-00-00	DAMPER, LOCATING 1	9	
13	(409-28356-00-00)	STAY 1	1	
14	97313-08020-00	BOLT, HEXAGON	1	
15	92990-08100-00	WASHER	1	
16	(409-28357-00-00)	STAY 2	1	
17	97013-06012-00	BOLT	2	
18	92995-06100-00	WASHER, SPRING	2	
19	(409-28358-00-00)	STAY 3	1	
20	97313-08020-00	BOLT, HEXAGON	2	
21	92990-08100-00	WASHER	2	
22	240-28371-00-33	DAMPER	3	
23	(409-14493-00-00)	STAY 1	1	
24	(409-14494-00-00)	STAY 2	1	
25	(802-24314-10-00)	PIPE 4	2	
26	(409-28100-10-00)	TOOL KIT	1	

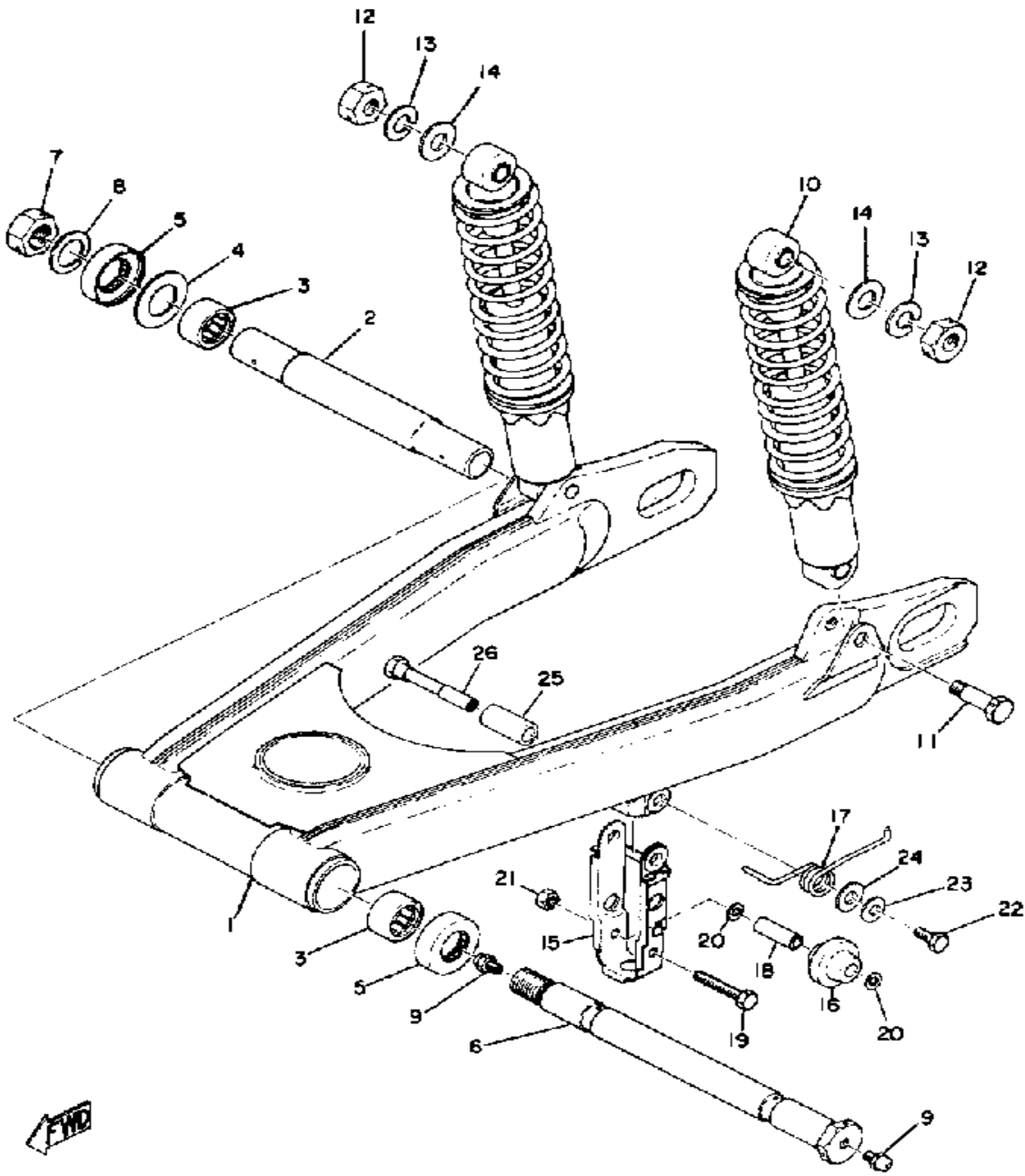
REAR ARM - REAR CUSHION



Ref. No.	Part Number	Description	Qty	Remarks
1	(409-22110-01-00)	REAR ARM	1	
2	(409-22124-00-00)	BUSH 2	1	
3	93315-42523-00	BEARING	2	
4	(611-45567-00-03)	SHIM	1	N/A
5	(93342-22504-00)	BEARING, FLAT # 2	2	
6	(409-22141-00-00)	SHAFT, PIVOT	1	
7	(90179-18057-00)	NUT, SPEC'L SHAPE	1	
8	92901-18100-00	WASHER, SPRING	1	
9	93700-06M03-00	NIPPLE, GREASE	2	
10	(409-22210-02-00)	SHK/ABS ASSEMBLY, REAR	2	
11	(90109-10212-00)	BOLT	2	
12	(90179-10119-00)	NUT, SPEC'L SHAPE	2	
13	92990-10100-00	LOCKWASHER	2	
14	92990-10200-00	WASHER, PLAIN	2	
15	(409-22154-01-00)	BRACKET, CHAIN GARD	1	
16	(409-22178-00-00)	TENSIONER	1	
17	(90508-32142-00)	SPRING, TORSION	1	
18	(90560-06058-00)	SPACER	1	
19	97313-06045-00	BOLT (97021-06045-00)	1	
20	90201-10123-00	WASHER, PLATE (10.5-18-1.6) (256-21715-00) 0 2	2	
21	95701-06300-00	NUT, NYLON	1	
22	97013-06012-00	BOLT	1	
23	92995-06100-00	WASHER, SPRING	1	
24	90201-06697-00	WASHER, PLATE	1	
25	(90387-10382-00)	COLLAR	1	
26	(90179-06058-00)	NUT, SPEC'L SHAPE	1	
27	(409-22121-01-00)	SHAFT 1	1	
28	(90508-26261-00)	SPRING, TORSION	1	

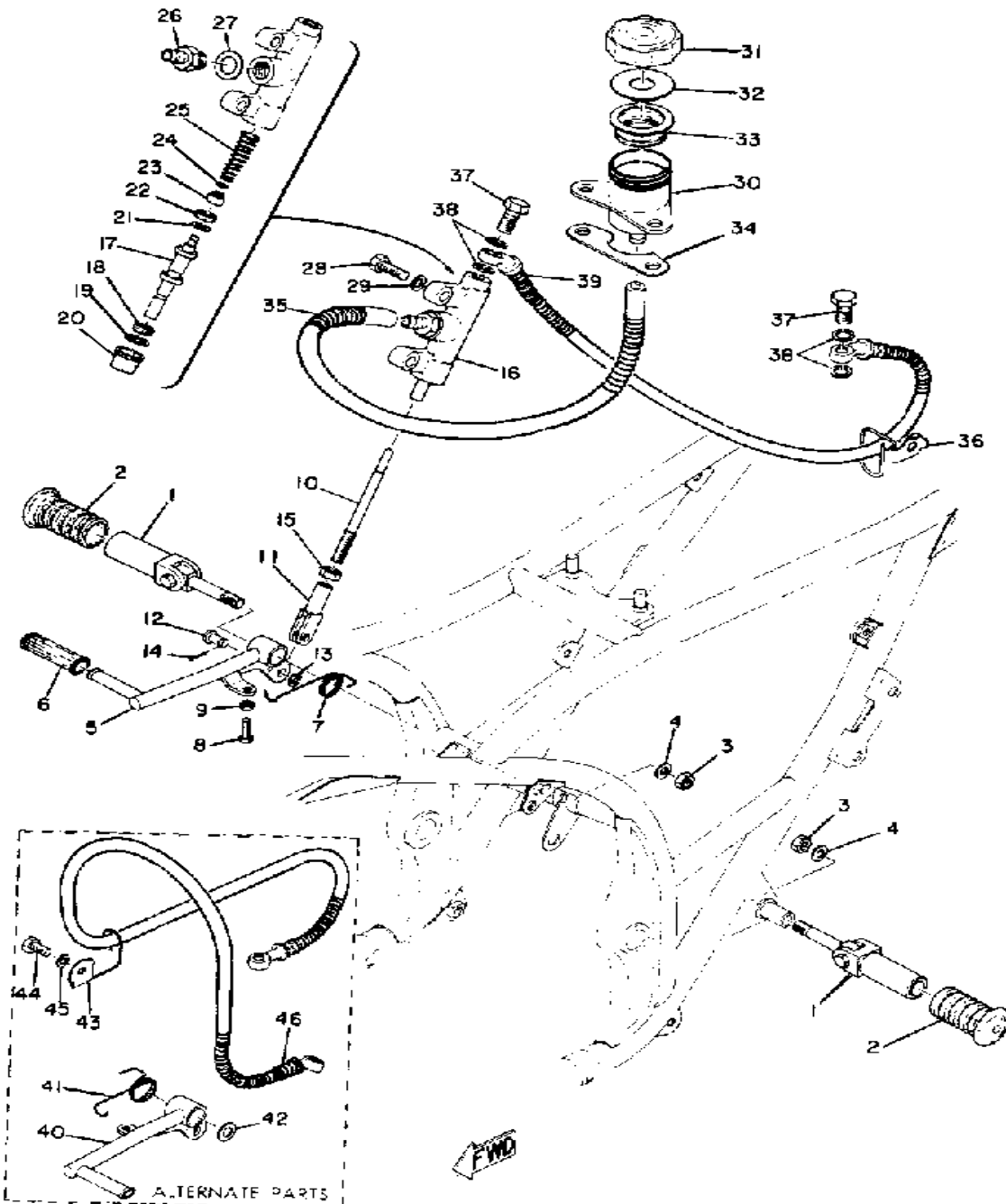
CONTINUED ON NEXT FRAME ►

REAR ARM - REAR CUSHION



Ref. No.	Part Number	Description	Qty	Remarks
29	97013-06035-00	BOLT	1	
30	148-25359-00-00	SEAL, CAMSHAFT	2	
31	95701-06300-00	NUT, NYLON	2	
32	93700-06M03-00	NIPPLE, GREASE	1	
1-1	(409-22110-03-00)	REAR ARM	1	
15-1	(409-22154-02-00)	BRACKET, CHAIN GARD	1	
19-1	97313-06045-00	BOLT (97021-06045-00)	1	

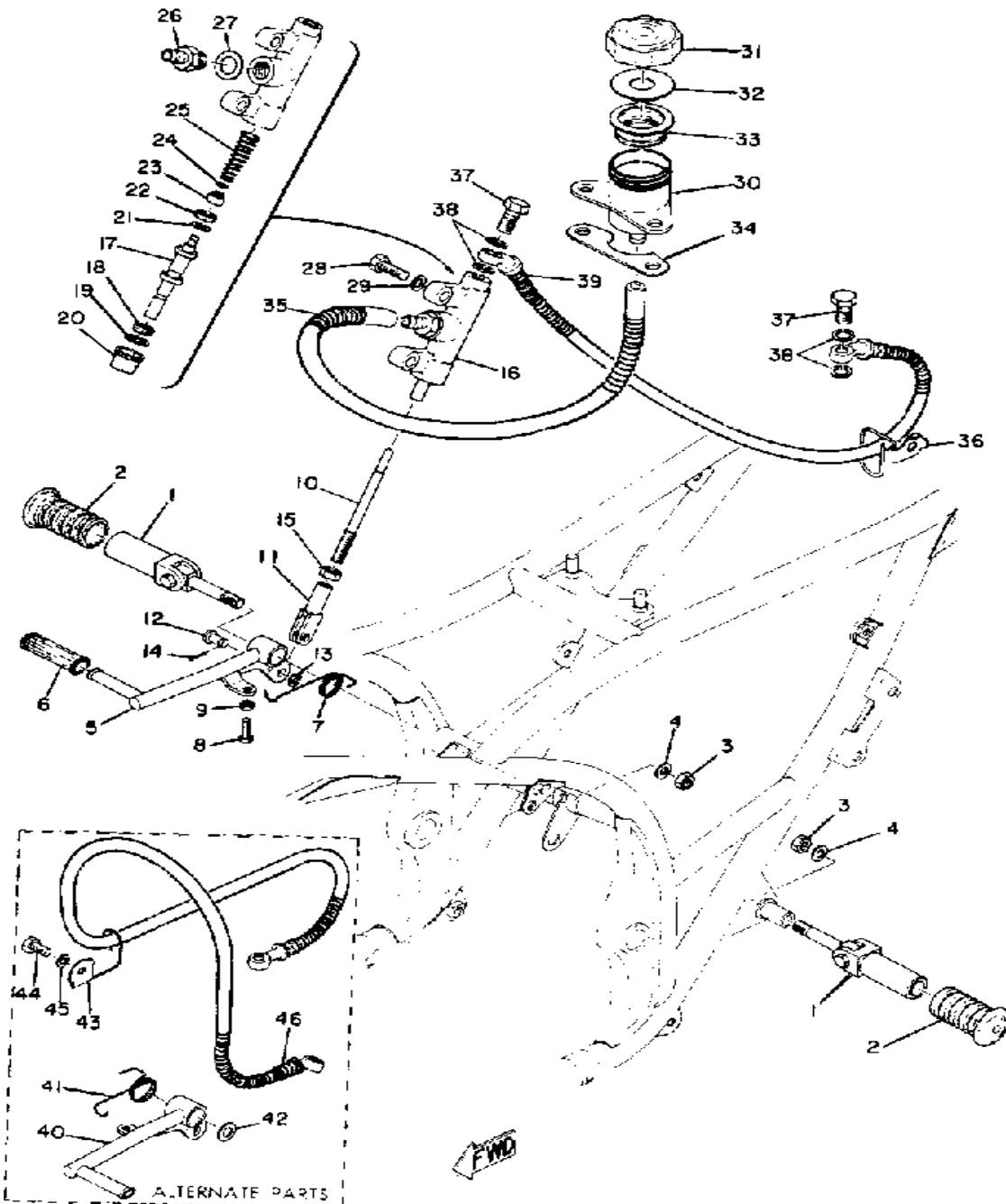
BRAKE PEDAL - MASTER CYLINDER



Ref. No.	Part Number	Description	Qty	Remarks
1	240-24700-00-00	UNAVAILABLE IN PRICE BOOK	2	
2	240-24713-00-00	. UNAVAILABLE IN PRICE BOOK	2	
3	90179-10173-00	NO LONGER AVAILABLE	2	
4	92990-10100-00	LOCKWASHER	2	
5	(409-27211-01-91)	PEDAL, BRAKE	1	
6	240-18113-00-00	COVER, SHIFT PEDAL	1	
7	(90508-23143-00)	SPRING, TORSION	1	
8	97011-06025-00	BOLT (97001-06025)	1	
9	95380-06700-00	NUT	1	
10	(409-27231-00-00)	ROD, BRAKE	1	
11	(409-27222-00-00)	JOINT	1	
12	(90249-08085-00)	PIN, SPEC'L SHAPE	1	
13	99009-06600-00	CIRCLIP	1	
14	91490-20020-00	PIN, COTTER	1	
15	90179-08288-00	NUT, SPEC'L SHAPE	1	
16	(409-25850-50-00)	MSTR CYLINDER ASSEMBLY	1	
26	(409-25899-50-00)	BOLT, UNION	1	
27	(409-25898-50-00)	GASKET	1	
28	97001-08025-00	BOLT (1NV)	2	
29	92990-08100-00	WASHER	2	
30	(409-25894-00-00)	TANK, RESERVOIR	1	
31	341-25852-00-00	CAP, RESERVOIR	1	
32	341-25855-30-00	BUSH, DIAPHRAGM (341-25855-00)	1	
33	341-25854-00-00	DIAPHRAGM RESERVOR	1	
34	(409-25897-00-00)	DAMPER	1	
35	(90445-15324-00)	HOSE	1	
	35A---	CLIP, SCISSOR		

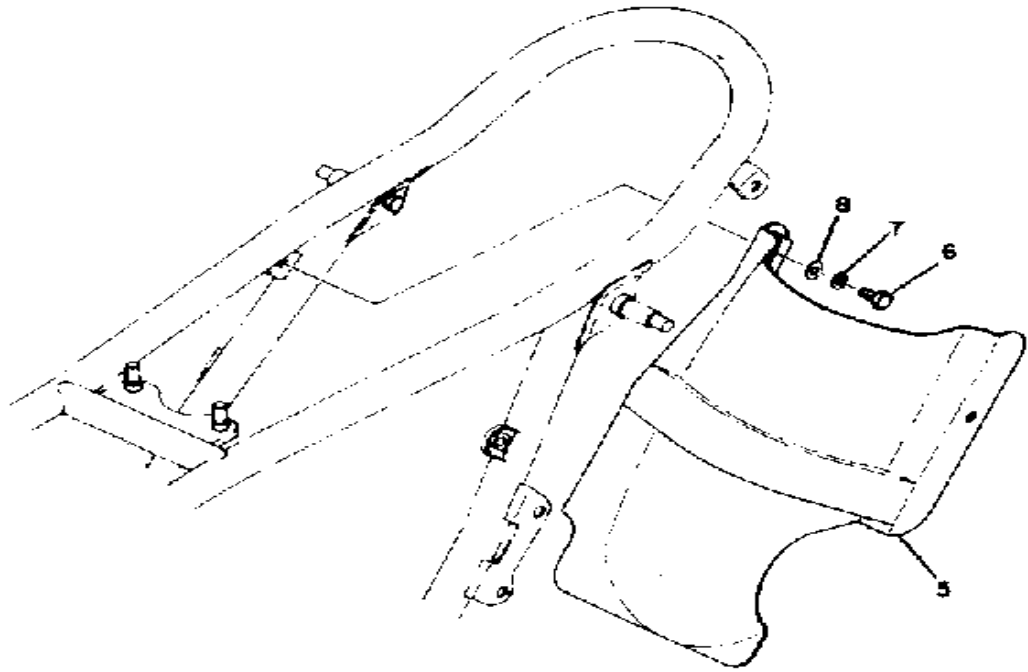
CONTINUED ON NEXT FRAME ►

BRAKE PEDAL - MASTER CYLINDER

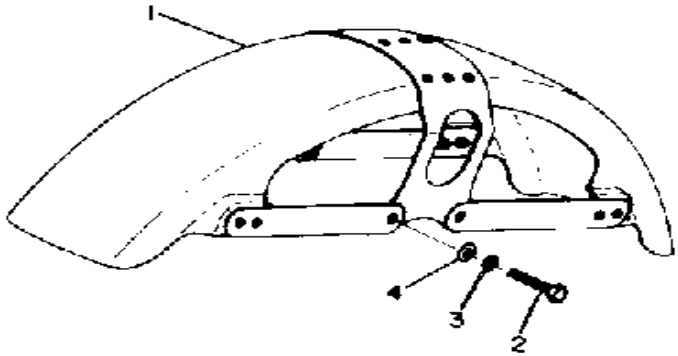


Ref. No.	Part Number	Description	Qty	Remarks
36	(409-25875-50-00)	HOLDER, BRKE HOSE 1	1	
37	90401-10034-00	BOLT, UNION	2	
38	90201-10118-00	WASHER, PLATE	4	
39	(409-25872-50-00)	HOSE, BRAKE 1	1	
40	(409-27211-10-91)	PEDAL, BRAKE	1	
41	(90508-23170-00)	SPRING, TORSION	1	
42	92990-10200-00	WASHER, PLAIN	1	
43	(409-25876-00-00)	HOLDER, BRKE HOSE 2	1	
44	97313-08018-00	BOLT, HEXAGON (97301-08016)	1	
45	92990-08100-00	WASHER	1	
46	(409-25872-60-00)	HOSE, BRAKE 1	1	
-1	409-W0042-50-00	. CYLINDER KIT, MASTER	1	
-2	(360-20000-20-00)	CUP KIT	1	

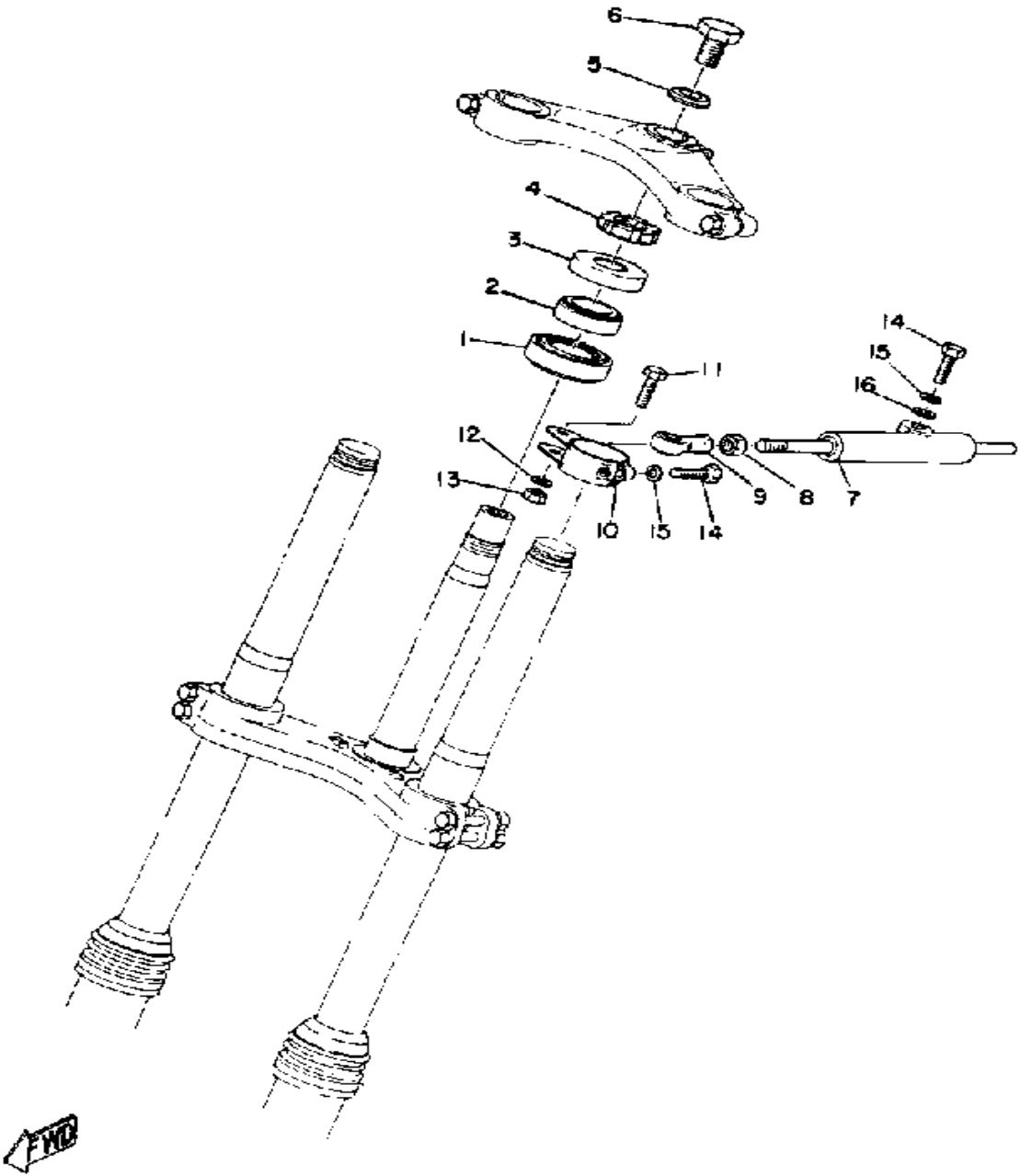
FRONT FENDER - REAR FENDER



Ref. No.	Part Number	Description	Qty	Remarks
1	(1X2-21510-00-E1)	FENDER, FRONT	1	
2	97313-06055-00	BOLT, HEXAGON (97322-06055)	4	
3	92995-06100-00	WASHER, SPRING	4	
4	92990-06200-00	WASHER	4	
5	(409-21610-01-00)	FENDER, REAR	1	
6	97013-06012-00	BOLT	3	
7	92995-06100-00	WASHER, SPRING	3	
8	92990-06200-00	WASHER	3	

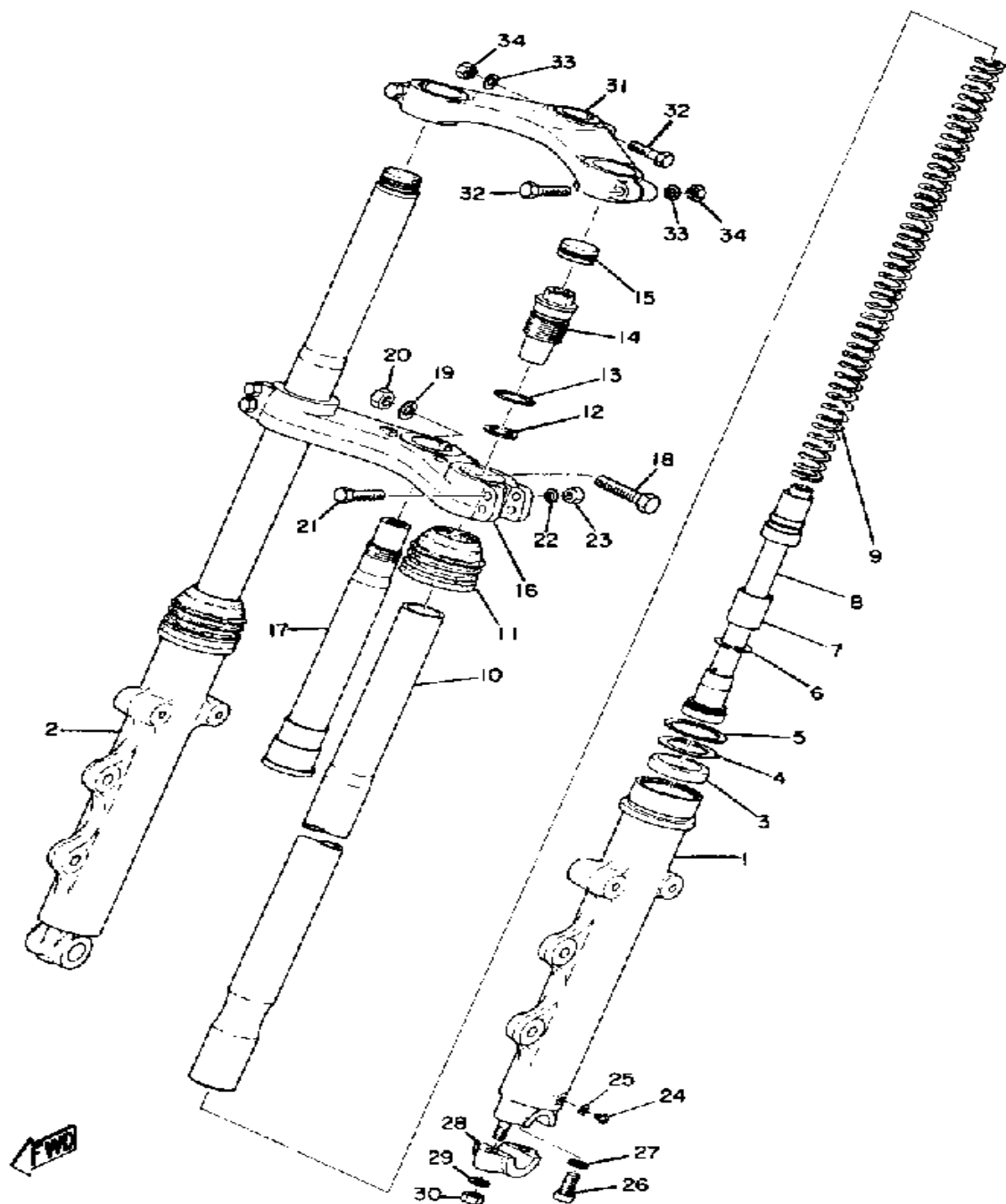


STEERING



Ref. No.	Part Number	Description	Qty	Remarks
1	93332-00002-00	BEARING, TAPRD # 2	1	
2	93332-00001-00	BEARING	1	
3	136-23415-00-00	COVER, BALL RACE 1	1	
4	90179-25033-00	NUT	1	
5	90209-14022-00	WASHER, SPEC'L SHAP (214-23443-00)	1	
6	90109-14235-00	BOLT (322-23451-00)	1	
7	(409-23490-01-00)	HDLBR SMY DMPR ASSEMBLY	1	
8	95303-08700-00	NUT	1	
9	(409-23491-00-00)	JOINT	1	
10	(409-23495-00-00)	STAY, DAMPER	1	
11	97313-08030-00	BOLT, HEXAGON	1	
12	92990-08100-00	WASHER	1	
13	95333-08600-00	NUT, HEXAGON	1	
14	97001-08025-00	BOLT (1NV)	2	
15	92990-08100-00	WASHER	2	
16	92990-08200-00	WASHER, PLAIN	1	

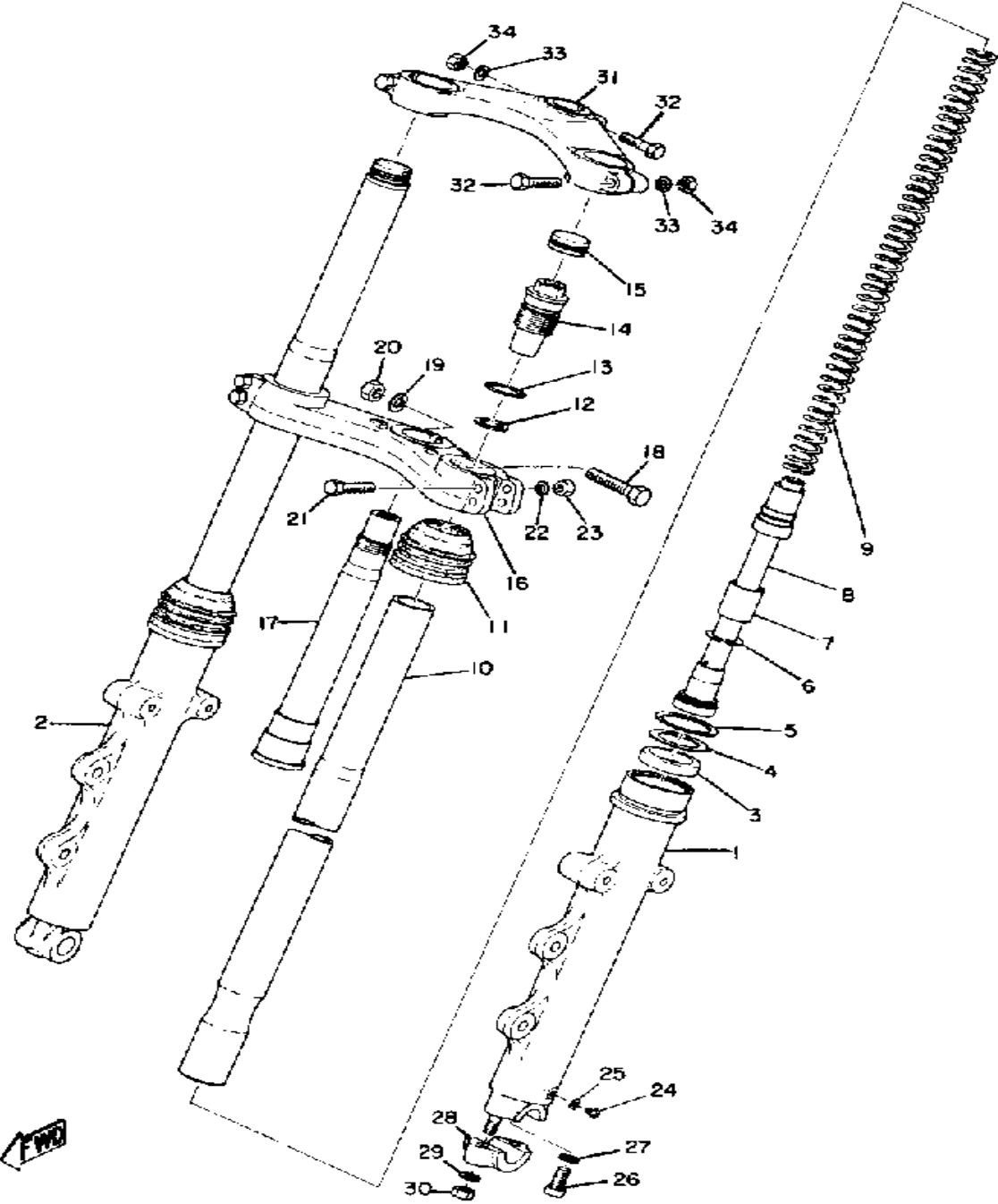
FRONT FORK



Ref. No.	Part Number	Description	Qty	Remarks
1	(409-23126-00-00)	TUBE, OUTER 1	1	
2	(409-23136-00-00)	TUBE, OUTER 2	1	
3	341-23145-51-00	.. OIL SEAL	2	
4	341-23146-50-00	.. WASHER, OIL SEAL	2	
5	341-23156-50-00	.. CLIP, OIL SEAL	2	
6	93450-30033-00	CIRCLIP, INNER	2	
7	(434-23171-00-00)	PISTON, FRONT FORK	2	
8	(409-23170-01-00)	CYLINDER, FRTFRK	2	
9	(409-23141-00-00)	SPRING, FRONT FORK	2	
10	(409-23124-01-00)	TUBE, INNER 1	2	
11	341-23144-50-00	SEAL, DUST	2	
12	2F0-23149-00-00	. WASHER, SPRING UPR	2	
13	214-23114-00-00	. GASKET	2	
14	(409-23111-00-00)	BOLT, CAP	2	
15	(409-23168-00-00)	CAP, FRONT FORK	2	
16	(409-23340-01-00)	UNDER BRACKET	1	
17	(409-23341-00-00)	SHAFT, STEERING	1	
18	(322-23356-00-00)	BOLT 2	1	
19	92990-10100-00	. LOCKWASHER	1	
20	(322-23357-00-00)	NUT	1	
21	97313-08055-00	BOLT, HEXAGON	4	
22	92990-08100-00	. WASHER	4	
23	(447-23127-00-00)	NUT, OUTER TUBE	4	
24	98580-04008-00	. SCREW, PAN HEAD	2	
25	122-23129-00-00	. GASKET, DRAIN PLUG	2	
26	278-23181-50-00	. BOLT, HEXAGON SOCKET HEAD	2	
27	509-23158-L0-00	. GASKET	2	
28	341-23167-50-00	. HOLDER, AXLE	1	

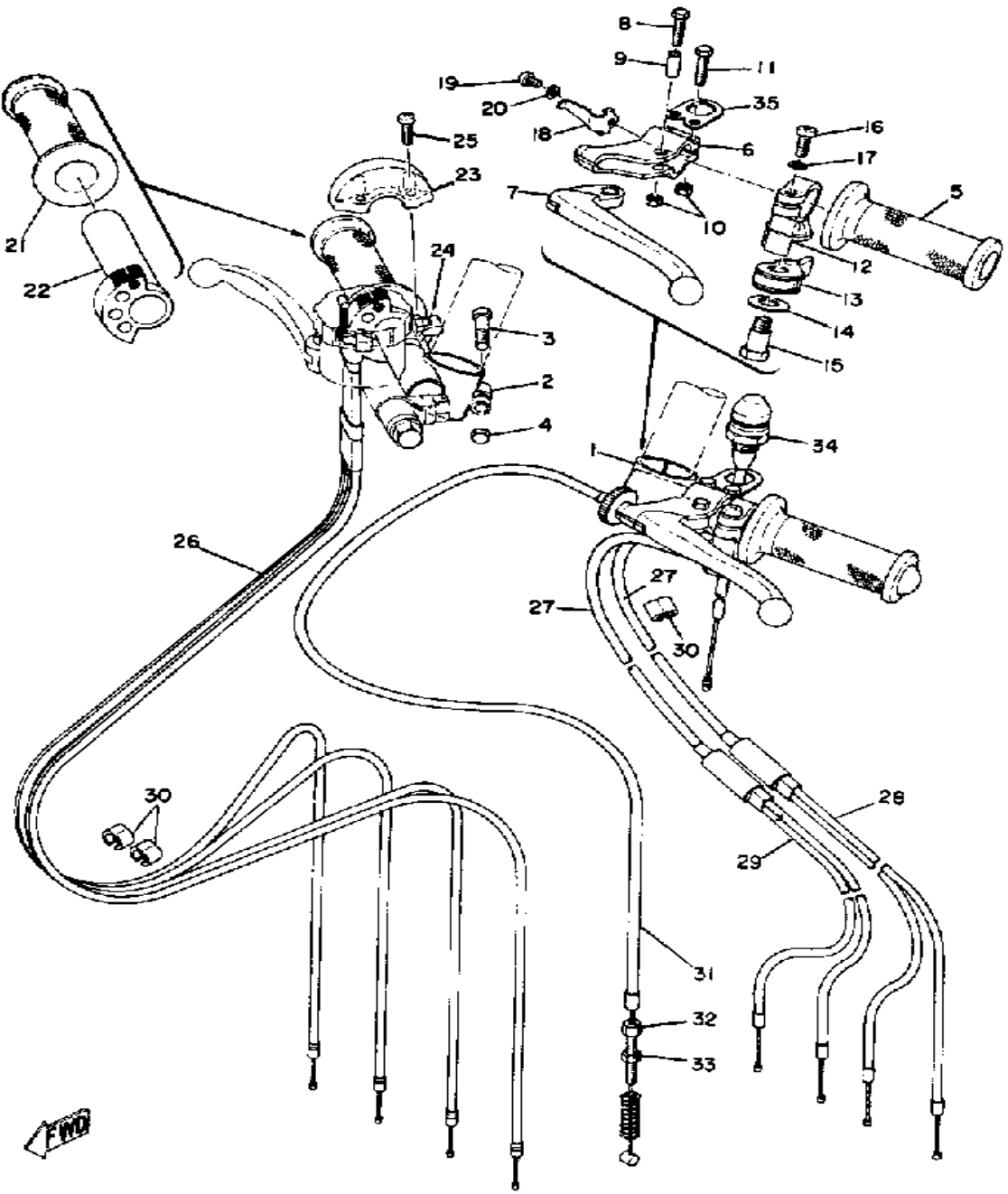
CONTINUED ON NEXT FRAME ►

FRONT FORK



Ref. No.	Part Number	Description	Qty	Remarks
29	92990-08100-00	. WASHER	2	
30	(447-23127-00-00)	NUT, OUTER TUBE	2	
31	(409-23435-01-00)	CROWN, HANDLE	1	
32	97313-08040-00	. BOLT, HEXAGON (97322-08040)	3	
33	92990-08100-00	. WASHER	3	
34	(447-23127-00-00)	NUT, OUTER TUBE	3	
-1	(409-23101-01-00)	FRONT FORK ASSEMBLY	1	

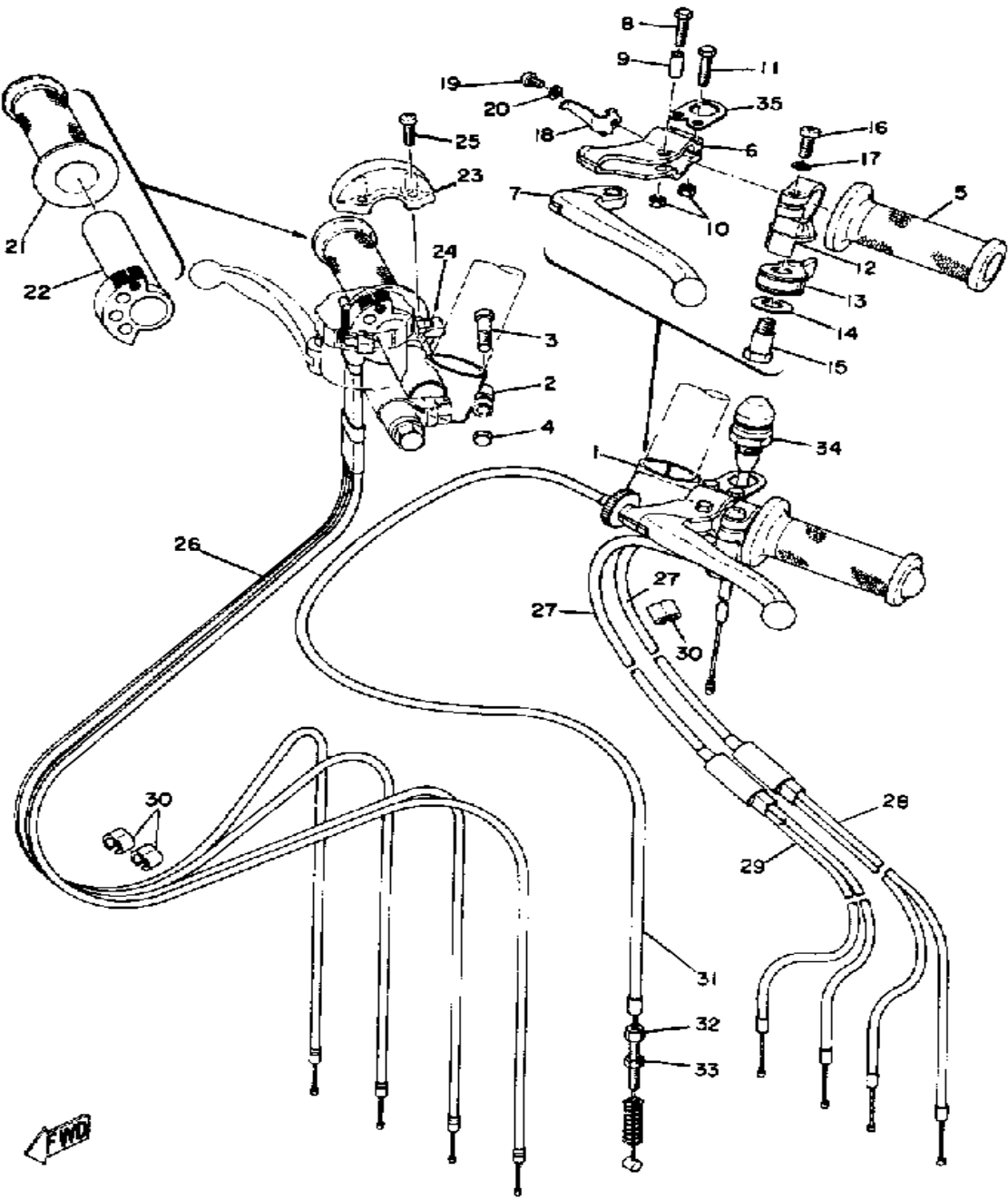
HANDLE - WIRE



Ref. No.	Part Number	Description	Qty	Remarks
1	409-26122-01-00	HANDLEBAR RH	1	
2	409-26122-01-00	HANDLEBAR RH	1	
3	97313-08035-00	BOLT, HEXAGON	2	
4	95611-08100-00	NUT, U	2	
5	47X-26241-00-00	GRIP (LEFT)	1	
6	(240-82811-00-00)	HOLDER, LEVER 1	1	
7	150-83912-00-38	. LEVER L	1	
8	97023-06020-00	. BOLT (3XF)	1	
9	214-83913-00-00	. COLLAR, LEVER 1	1	
10	95380-06700-00	. NUT	2	
11	97011-06025-00	. BOLT (97001-06025)	2	
12	240-83946-00-00	HOLDER, STARTER LEVER	1	
13	240-83941-00-00	LEVER, STARTER	1	
14	90201-12175-00	WASHER, PLATE	1	
15	90109-08398-00	BOLT	1	
16	98580-06018-00	SCREW, PAN HEAD	1	
17	92995-06100-00	WASHER, SPRING	1	
18	5F6-26368-00-00	SPRING, LOCK	1	
19	98580-05010-00	SCREW, PAN HEAD	1	
20	92990-05100-00	WASHER, SPRING	1	
21	47X-26242-00-00	GRIP (RIGHT)	1	
22	(409-26243-00-00)	TUBE, THRTL GUIDE	1	
23	(409-26281-00-00)	CAP, GRIP UPPER	1	
24	(409-26282-00-00)	CAP, GRIP LOWER	1	
25	98580-05020-00	SCREW, PAN HEAD	2	
26	(409-26311-01-00)	CABLE, THROTTLE 1	1	
27	(409-26331-00-00)	CABLE, STARTER 1	2	
28	(409-26331-20-00)	CABLE, STARTER 1	1	
29	(409-26331-30-00)	CABLE, STARTER 1	1	

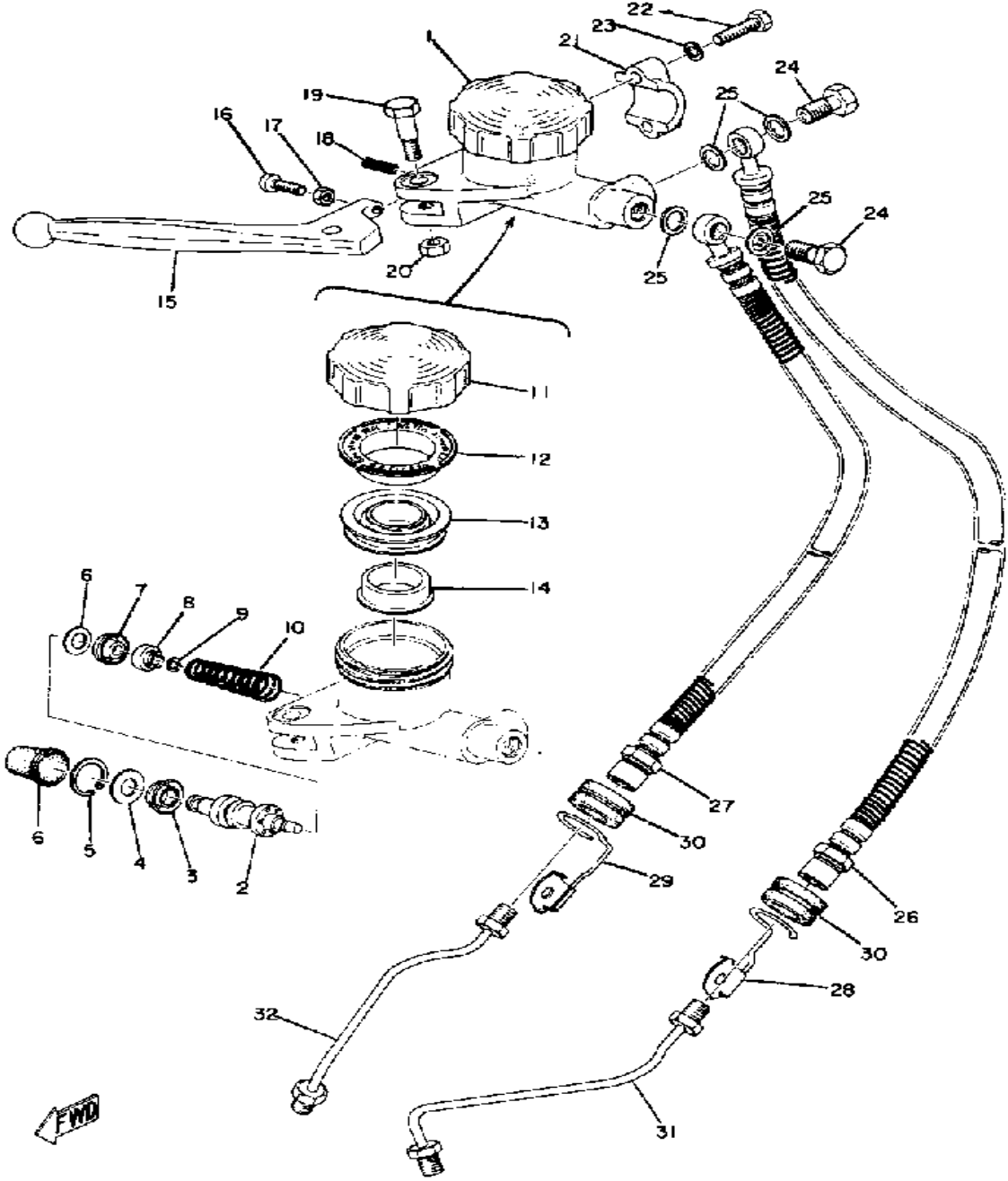
CONTINUED ON NEXT FRAME ►

HANDLE - WIRE



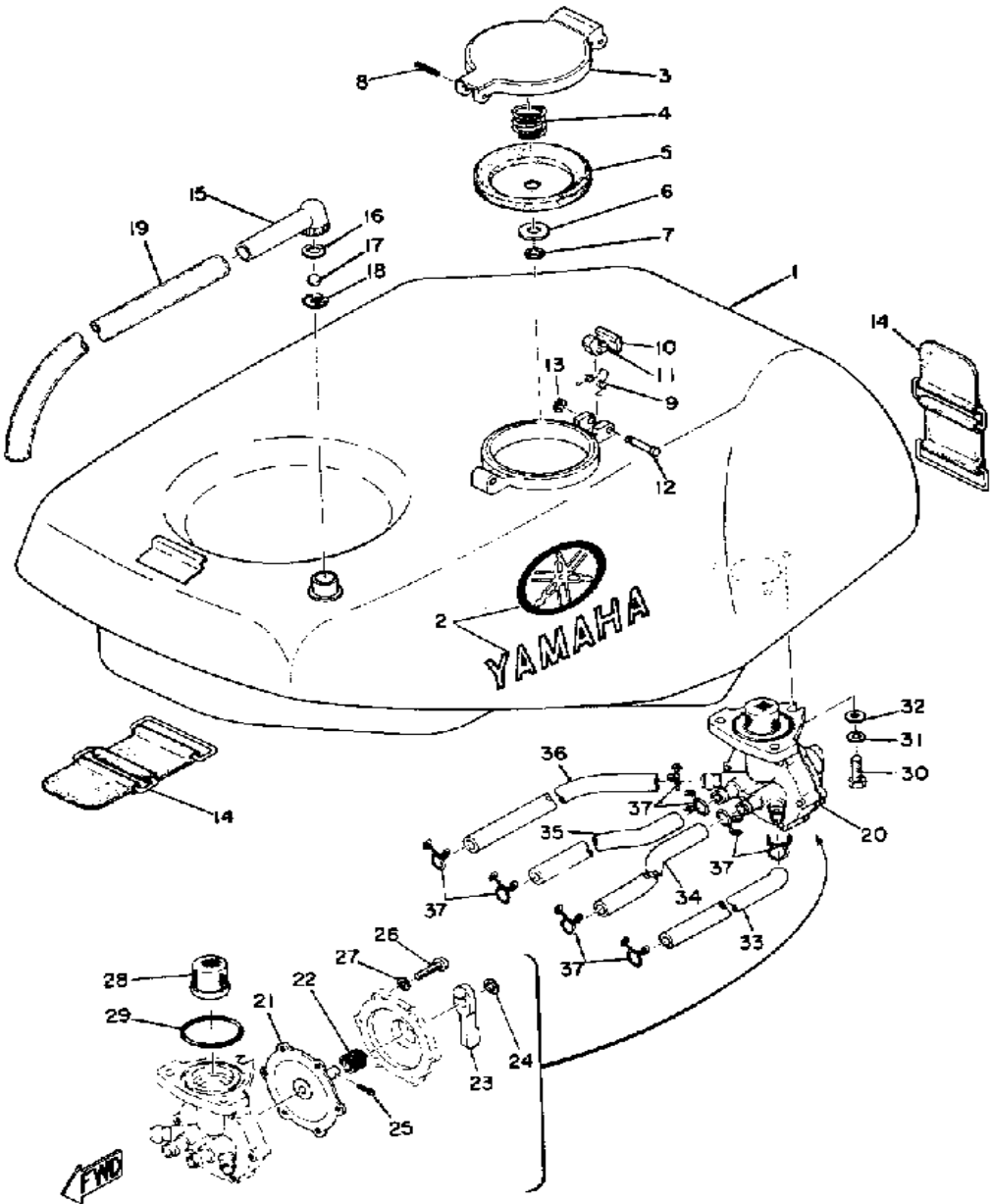
Ref. No.	Part Number	Description	Qty	Remarks
30	90468-15009-00	CLIP	2	
31	(409-26335-00-00)	CABLE, CLUTCH	1	
32	90123-06011-00	BOLT	1	
33	90179-06143-00	NUT, SPEC'L SHAPE	1	
34	(328-83976-00-00)	SWITCH, HANDLE 1	1	
35	(294-83974-00-00)	HOLDER, HANDLE SWCH	1	
-1	240-82810-00-00	LEVER HOLDER ASSEMBLY 1	1	

MASTER CYLINDER-BRAKE HOSE



Ref. No.	Part Number	Description	Qty	Remarks
1	(409-25850-01-00)	MSTR CYLINDER ASSEMBLY	1	
11	(409-25852-00-00)	CAP, RESERVOIR	1	
12	(409-25855-00-00)	BUSH, DIAPHRAGM	1	
13	(409-25854-00-00)	DIAPHRAGM RESERVOIR	1	
14	(409-25853-00-00)	FLOAT, RESERVOIR	1	
15	(341-83922-00-00)	LEVER R	1	
16	90146-06005-00	SCREW, OVAL FLSTR (306-83928-01)	1	
17	90170-06010-00	NUT	1	
18	90501-10312-00	SPRING, COMPRESSION	1	
19	90109-06465-00	BOLT	1	
20	95380-06600-00	NUT	1	
21	1J3-25867-00-00	BRACKET, MASTER CYLINDER (341-25867-00)	1	
22	97011-06025-00	BOLT (97001-06025)	2	
23	92995-06100-00	WASHER, SPRING	2	
24	90401-10034-00	BOLT, UNION	2	
25	90201-10118-00	WASHER, PLATE	4	
26	(409-25872-00-00)	HOSE, BRAKE 1	1	
27	(409-25873-01-00)	HOSE, BRAKE 2	1	
28	(409-25875-00-00)	HOLDER, BRKE HOSE 1	1	
29	(409-25876-00-00)	HOLDER, BRKE HOSE 2	1	
30	341-25881-00-00	PROTECTOR, BRAKE HOSE	2	
31	(409-25871-00-00)	PIPE, BRAKE	1	
32	(409-25882-00-00)	PIPE, BRAKE 2	1	
-1	(409-20000-10-00)	CYLINDER KIT	1	
-2	(409-20000-20-00)	CUP KIT	1	

FUEL TANK

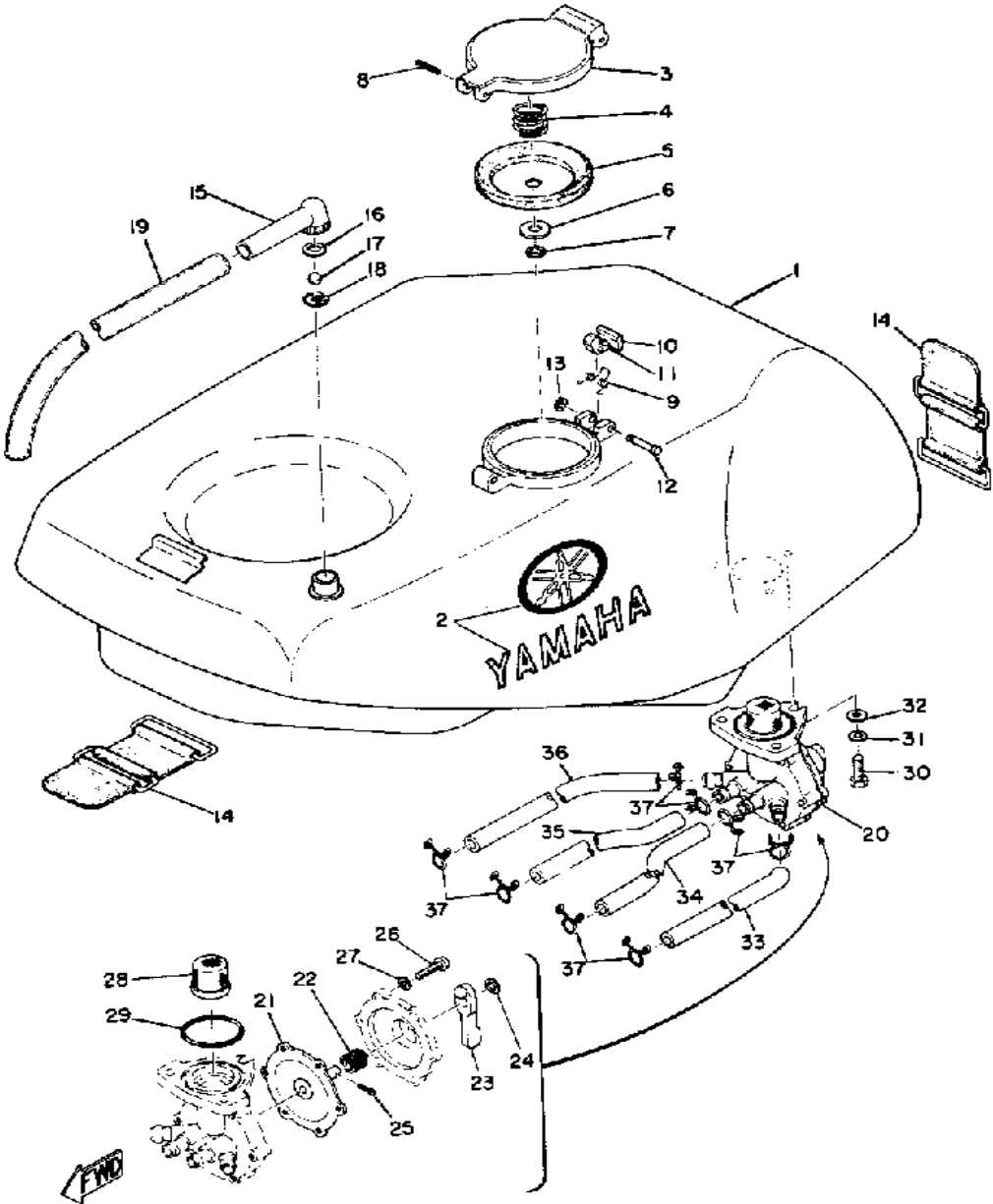


FUEL TANK (QUANTITY) (MINIMUM OCTANE)	6.33 gal. (Premium +15:1 fuel/oil ratio)
---------------------------------------	--

Ref. No.	Part Number	Description	Qty	Remarks
1	(409-24110-01-01)	FUEL TANK	1	CHAPPY RED/PEARL WHITE
2	240-24161-00-00	EMBLEM 1	2	
3	294-24611-00-00	BODY, CAP	1	
4	90501-20130-00	SPRING, COMPRESSION	1	
5	294-24612-00-00	GASKET, CAP	1	
6	92990-08200-00	WASHER, PLAIN	1	
7	99009-06600-00	CIRCLIP	1	
8	91609-30020-00	PIN, SPRING	1	
9	90508-08223-00	SPRING, TORSION (256-24637-00)	1	
10	256-24628-00-00	HOOK	1	
11	93210-06632-00	O-RING	1	
12	90249-03016-00	PIN, SPEC'L SHAPE	1	
13	93430-02001-00	CIRCLIP	1	
14	240-24173-00-00	BAND, TNK FITTING 1	2	
15	143-24681-00-00	NUT, CAP	1	
16	(90430-10028-00)	GASKET	1	
17	143-24684-00-00	BALL	1	
18	143-24685-00-00	CLIP, BALL HOLDER	1	
19	(90446-06007-00)	HOSE	1	
20	(409-24500-00-00)	FUEL COCK ASSEMBLY 1 ...	1	
21	409-24572-00-00	. UNAVAILABLE IN PRICE BOOK	1	N/A
22	(409-24529-00-00)	SPRING	1	
23	(409-24524-00-00)	LEVER, COCK	1	
24	(409-24518-00-00)	WASHER, WAVE	1	
25	91401-30020-00	. PIN, COTTER	1	
26	98511-04012-00	. SCREW, PAN HEAD	6	
27	92901-04100-00	. WASHER, SPRING	6	

CONTINUED ON NEXT FRAME ➤

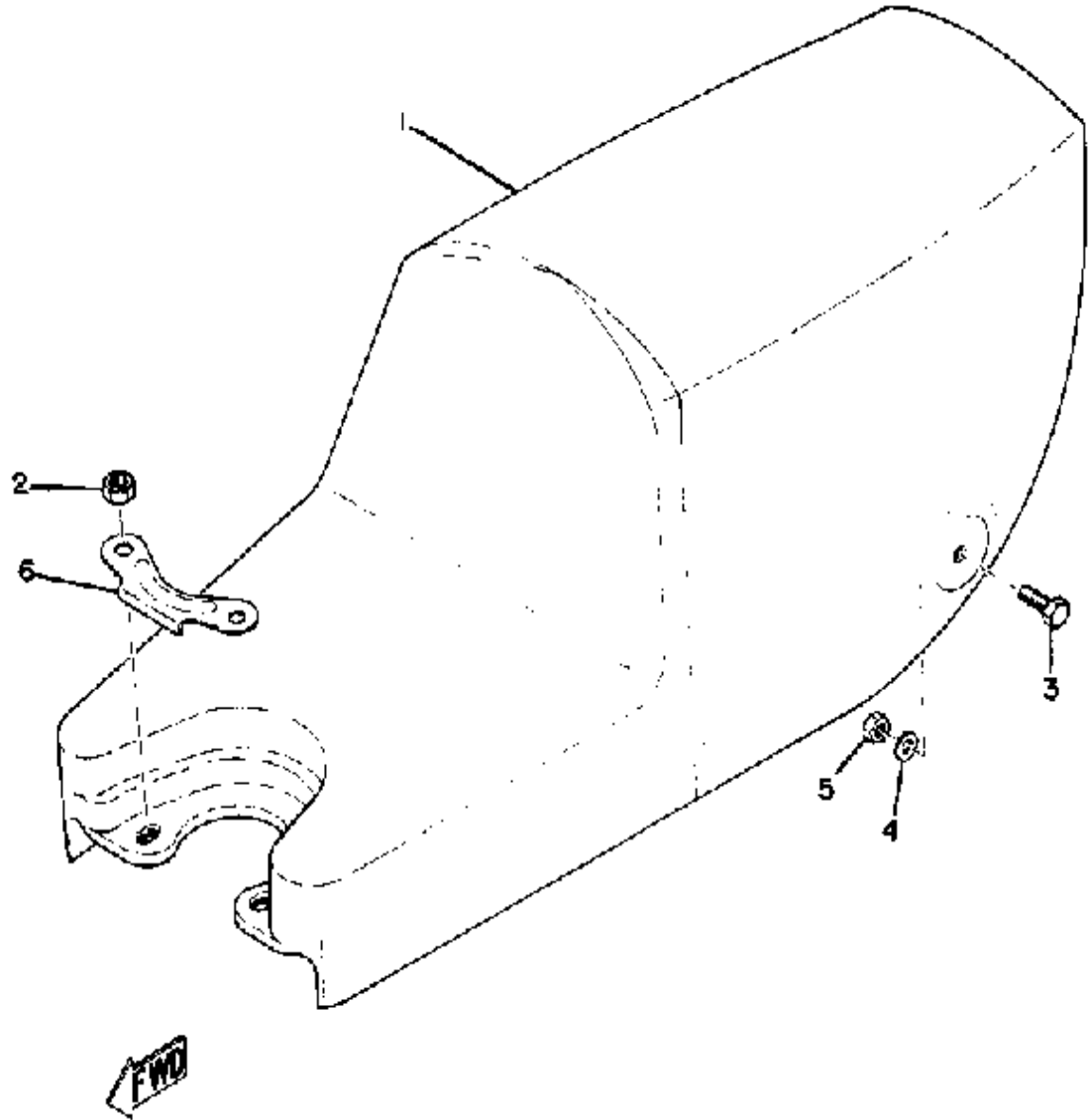
FUEL TANK



Ref. No.	Part Number	Description	Qty	Remarks
29	(409-24512-00-00)	GASKET	1	
30	97001-05018-00	BOLT HEXAGON	3	
31	92990-05100-00	WASHER, SPRING	3	
32	92990-05200-00	WASHER, PLAIN	3	
33	90445-11182-00	HOSE	1	
34	90445-11491-00	HOSE	1	
35	90445-11150-00	HOSE (363-24311-00)	1	
36	90445-11152-00	HOSE	1	
37	90467-10008-00	CLIP	8	

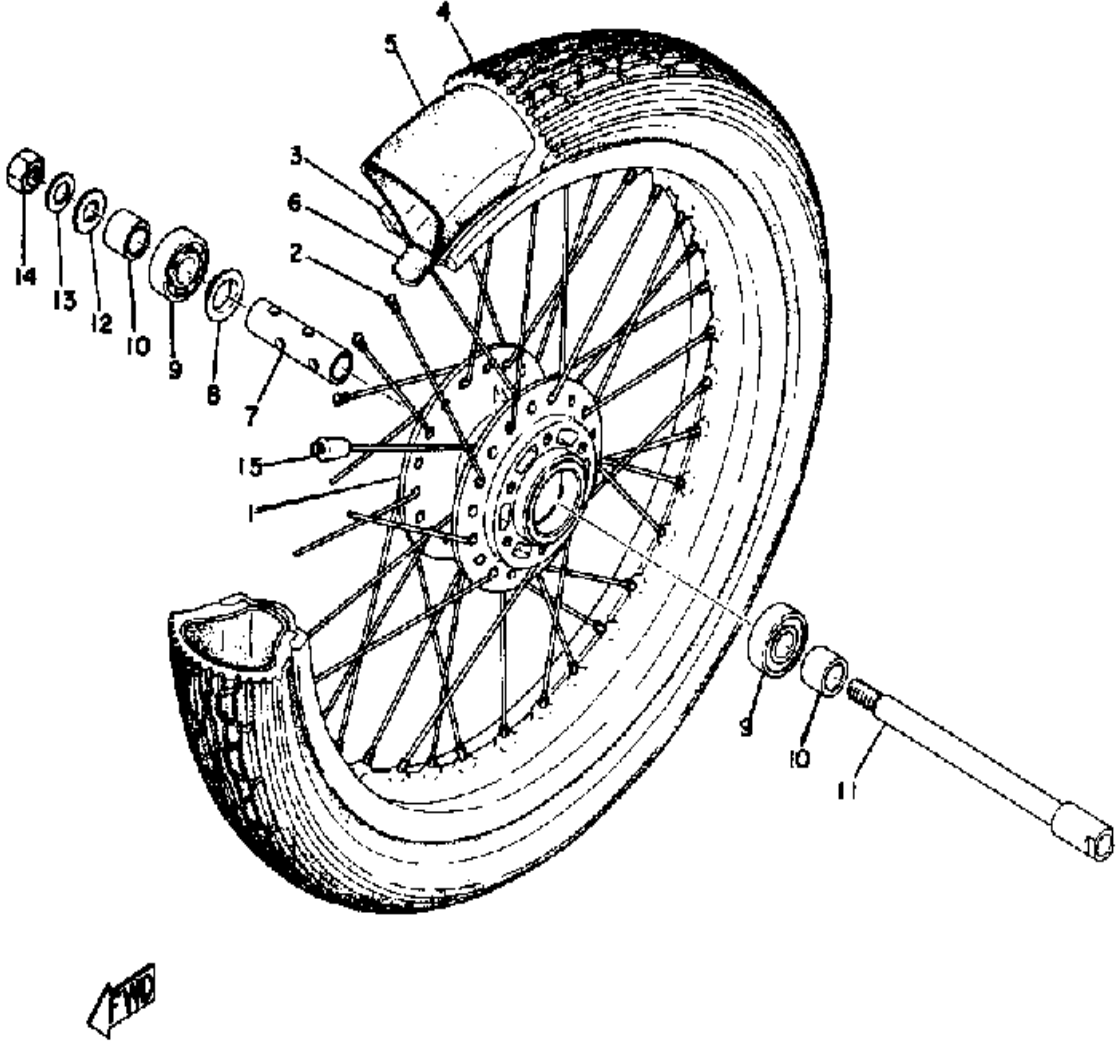
FUEL TANK (QUANTITY) (MINIMUM OCTANE) 6.33 gal. (Premium +15:1 fuel/oil ratio)

SEAT



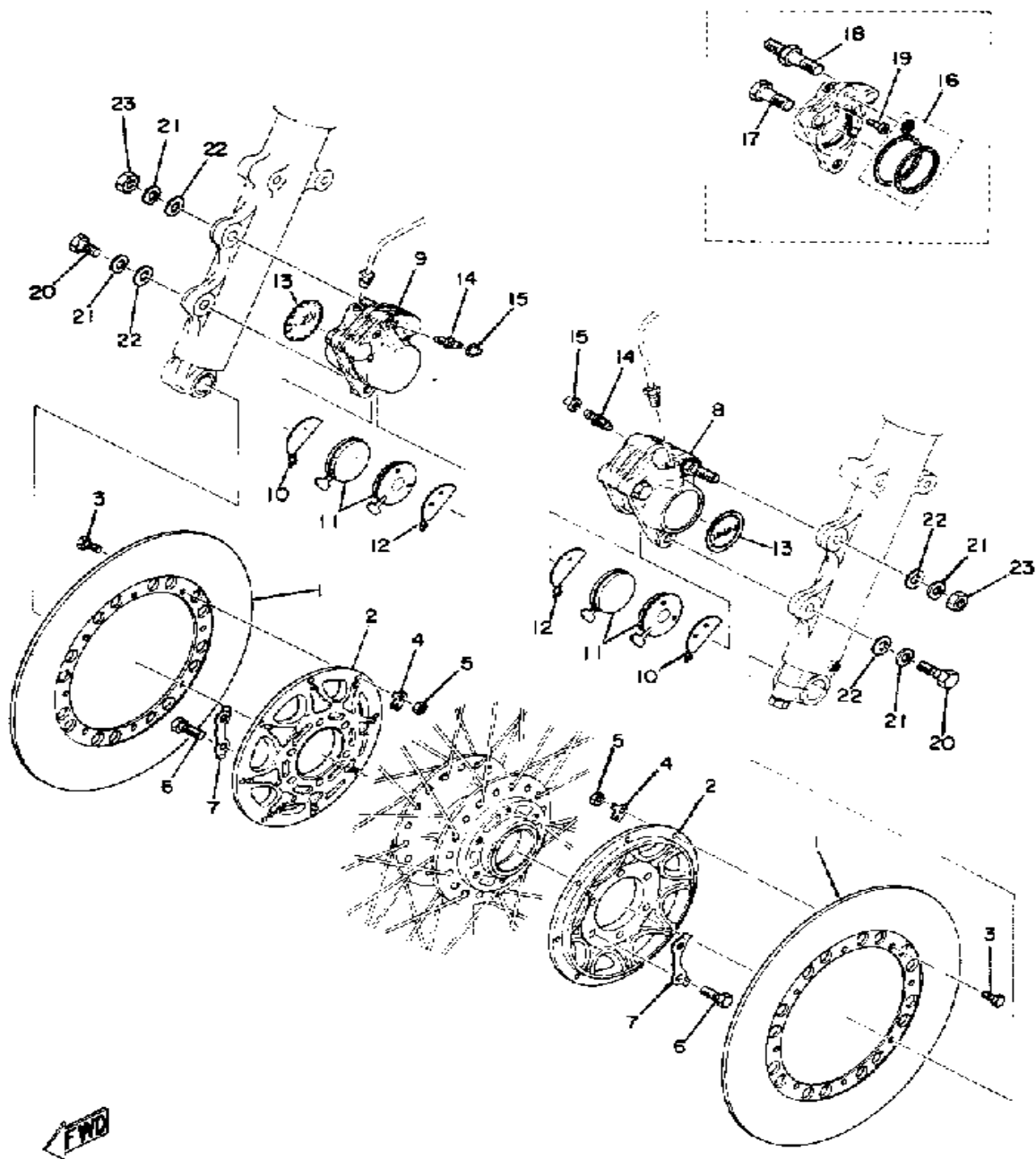
Ref. No.	Part Number	Description	Qty	Remarks
1	(409-24710-01-00)	SINGLE SEAT ASSEMBLY	1	
2	90185-08055-00	NUT, SELF-LOCKING	2	
3	97001-06018-00	BOLT	2	
4	92990-06200-00	WASHER	2	
5	95701-06300-00	NUT, NYLON	2	
6	(409-24191-00-00)	BRACKET, FUEL TNK 1	1	

FRONT WHEEL



Ref. No.	Part Number	Description	Qty	Remarks
1	(409-25111-00-00)	HUB, FRONT	1	
2	(409-25104-00-00)	SPOKE SET, FRONT	1	
3	(94421-18112-00)	RIM 2.15X 8	1	
7	(409-25117-00-00)	SPACER, BEARING	1	
8	146-25315-00-00	FLANGE, SPACER	1	
9	93306-30309-00	BEARING	2	
10	(90387-17245-00)	COLLAR	2	
11	(409-25181-00-00)	AXLE, WHEEL	1	
12	92990-14200-00	WASHER, PLAIN	1	
13	92901-14100-00	WASHER, SPRING	1	
14	95312-14600-00	NUT	1	
15	156-25398-00-00	BALANCER, WHEEL	1	

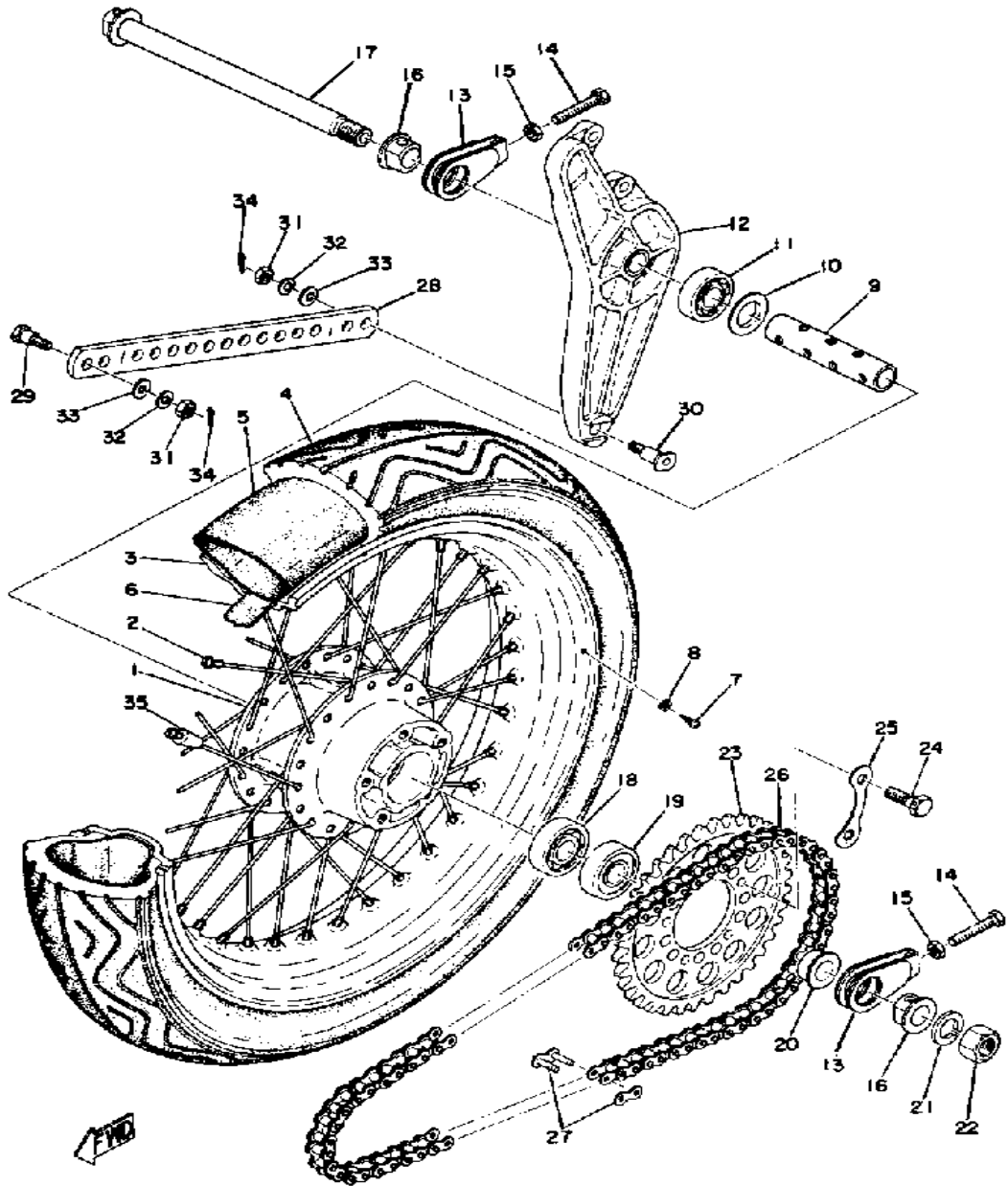
FRONT DISC BRAKE-CALIPER



Ref. No.	Part Number	Description	Qty	Remarks
1	(409-25831-00-00)	DISC, BRAKE	2	
2	(341-25832-01-00)	BRACKET, DISC	2	
3	90109-06018-00	BOLT	16	
4	90215-06106-00	WASHER, LOCK (306-25834-00)	16	
5	95380-06600-00	NUT	16	
6	90109-08367-00	BOLT (341-25411-00)	12	
7	341-25412-00-00	WASHER	6	
8	(409-25810-01-00)	CALIPER ASSEMBLY LH	1	
9	(409-25810-11-00)	CALIPER ASSEMBLY RH	1	
10	306-25827-04-00	SHIM, CALIPER (306-25827-02)	2	
11	409-W0045-00-00	BRAKE PAD KIT, FRNT	4	
12	306-25828-04-00	SHIM, CALIPER	2	
13	306-25829-00-00	EMBLEM, CALIPER	2	
14	306-25824-00-00	SCREW, BLEED	2	
15	306-25825-01-00	CAP	2	
16	856-W0047-00-00	CALIPER SEAL KIT (856-20000-50)	2	
17	306-25821-01-00	BOLT 1	2	
18	306-25822-01-00	BOLT 2	2	
19	306-25826-01-00	BOLT 3	4	
20	90109-10244-00	BOLT	2	
21	92990-10100-00	LOCKWASHER	4	
22	92990-10200-00	WASHER, PLAIN	4	
23	95303-10600-00	NUT (95301-10600)	2	
11-1	409-W0045-00-00	BRAKE PAD KIT, FRNT	4	
12-1	306-25827-04-00	SHIM, CALIPER (306-25827-02)	2	

REAR WHEEL

Ref. No.	Part Number	Description	Qty	Remarks
1	(409-25311-00-00)	HUB, REAR	1	
2	(409-25304-00-00)	SPOKE SET, REAR	1	
3	(94430-18113-00)	RIM 3.00X 8	1	
7	97780-40116-00	SCREW, TAPPING	8	
8	90201-04014-00	WASHER, PLATE (322-21747-00)	8	
9	(409-25317-00-00)	SPACER, BEARING	1	
10	4V4-25315-00-00	FLANGE, SPACER	1	
11	93306-20404-00	BEARING	1	
12	(409-25819-00-00)	BRACKET, CALIPER	1	
13	(409-25388-00-00)	PULLER, CHAIN 1	2	
14	90101-08699-00	BOLT	2	
15	95303-08700-00	NUT	2	
16	(409-25384-00-00)	WASHER, WHEEL	2	
17	(409-25381-00-00)	AXLE, WHEEL	1	
18	93306-30421-00	BEARING (B6304C3)	1	
19	93306-30417-00	BEARING (B6304ZZ)	1	
20	(90387-20246-00)	COLLAR	1	
21	92901-18100-00	WASHER, SPRING	1	
22	(95301-18600-00)	NUT	1	
23	(409-25438-00-00)	SPROCKET, DRIVN 38T	1	U.R.
	(409-25439-00-00)	SPROCKET, DRIVN 39T	1	U.R.
	(409-25440-00-00)	SPROCKET, DRIVN 40T	1	U.R.
	(409-25441-00-00)	SPROCKET, DRIVN 41T	1	U.R.
24	(90109-10245-00)	BOLT	5	
25	(409-25412-00-00)	WASHER	3	
26	(94575-30098-00)	530HDS 98L	1	
27	(94675-30031-00)	JOINT CHAIN	1	
28	(409-25371-00-00)	BAR, TENSION	1	

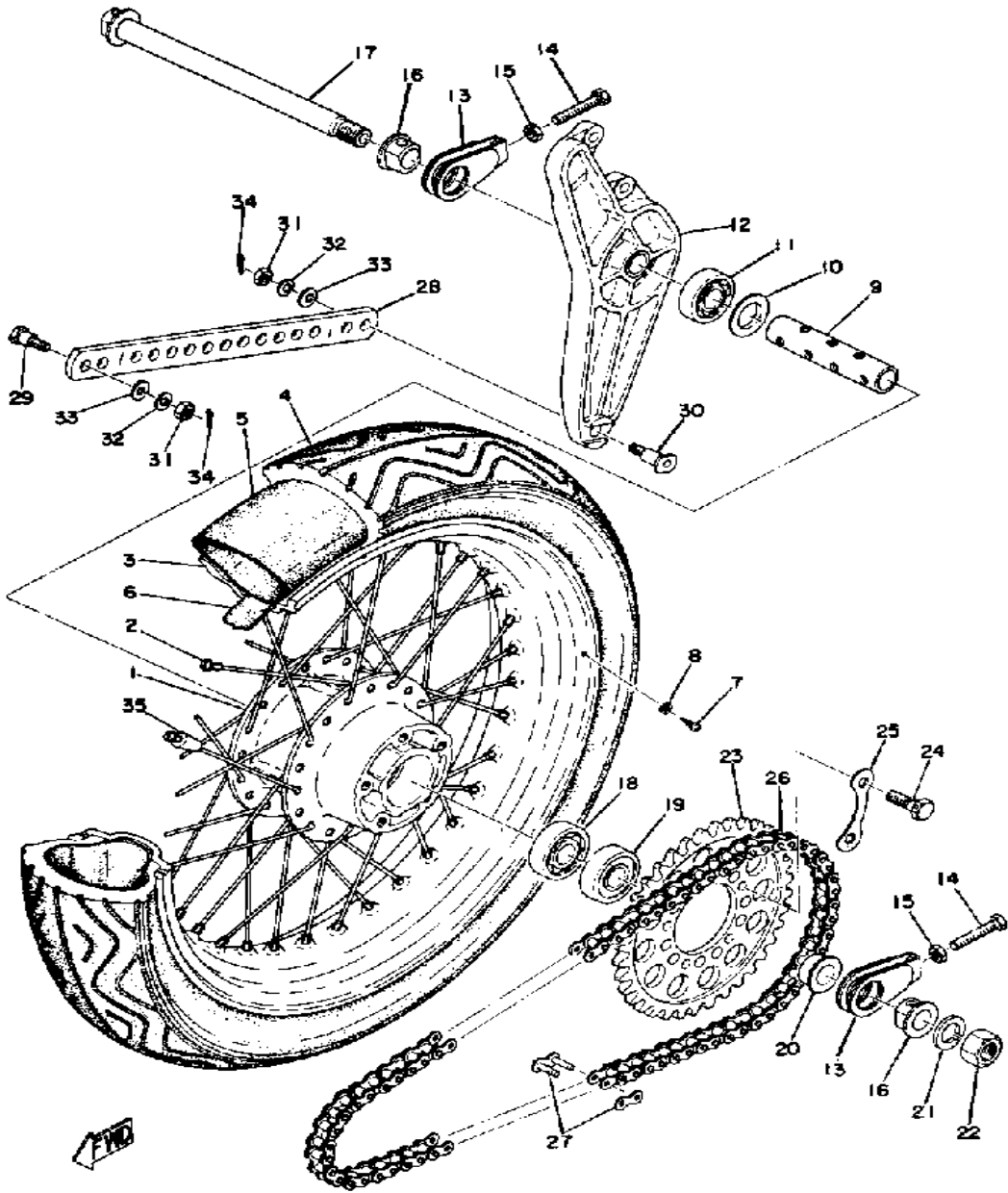


TIRES FRONT/REAR (SIZE) (NOMINAL PRESSURE)	3.25-18/26 psi	3.60/5.25-18/30 ~ 32 psi
--	----------------	--------------------------

CONTINUED ON NEXT FRAME ►

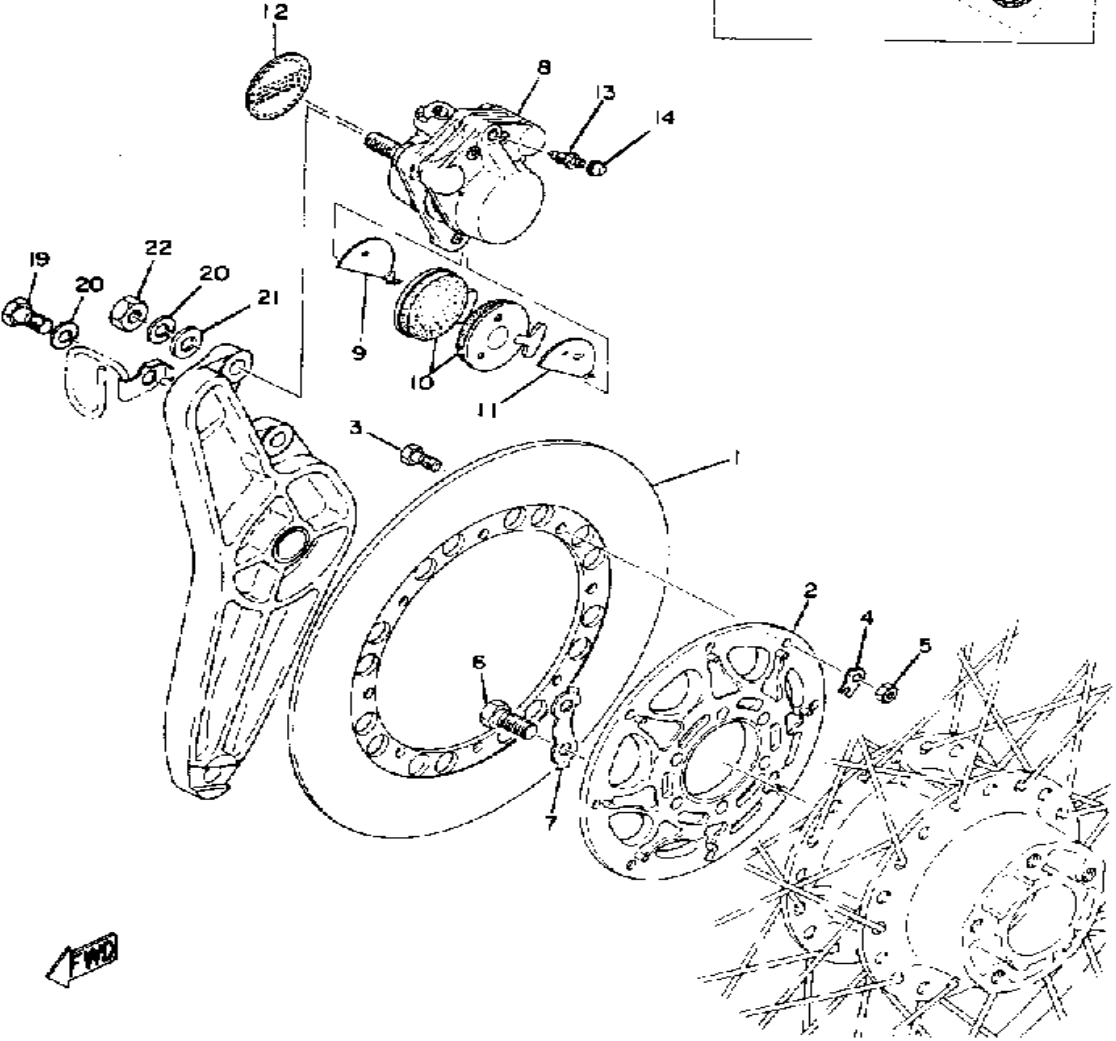
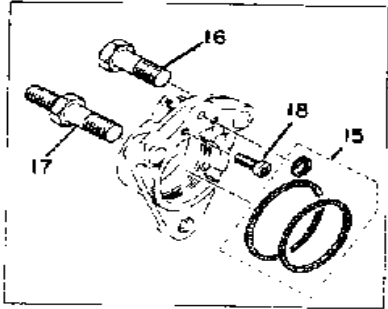
REAR WHEEL

Ref. No.	Part Number	Description	Qty	Remarks
29	(90109-08379-00)	BOLT	1	
30	(90109-08243-00)	BOLT	1	
31	95303-08700-00	NUT	2	
32	92990-08100-00	WASHER	2	
33	92990-08200-00	WASHER, PLAIN	2	
34	91490-20020-00	PIN, COTTER	2	
35	156-25398-00-00	BALANCER, WHEEL	1	
16-1	(409-25384-00-00)	WASHER, WHEEL	2	
17-1	(409-25381-01-00)	AXLE, WHEEL	1	



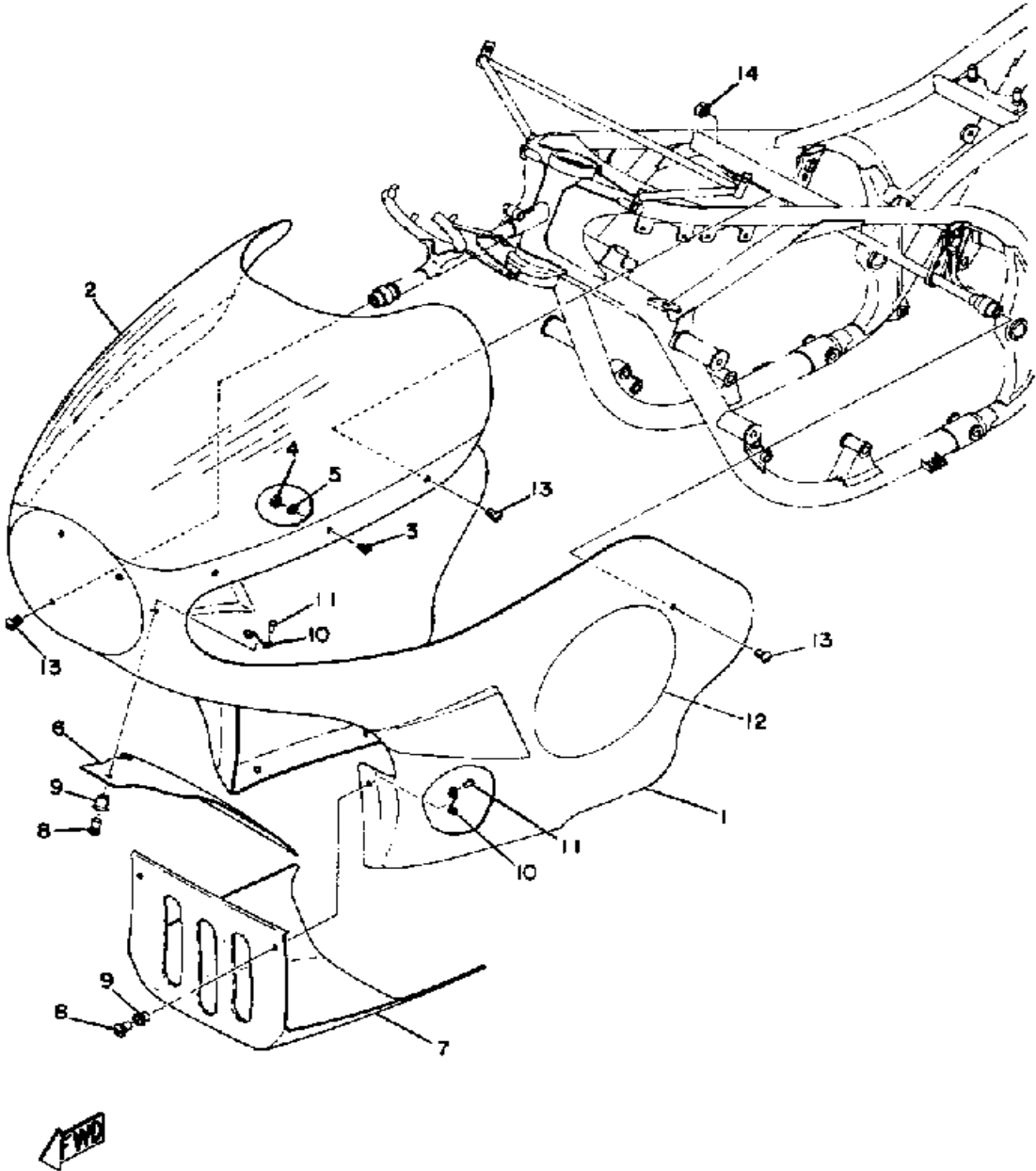
TIRES FRONT/REAR (SIZE) (NOMINAL PRESSURE) 3.25-18/26 psi 3.60/5.25-18/30 ~ 32 psi

REAR DISC BRAKE-CALIPER



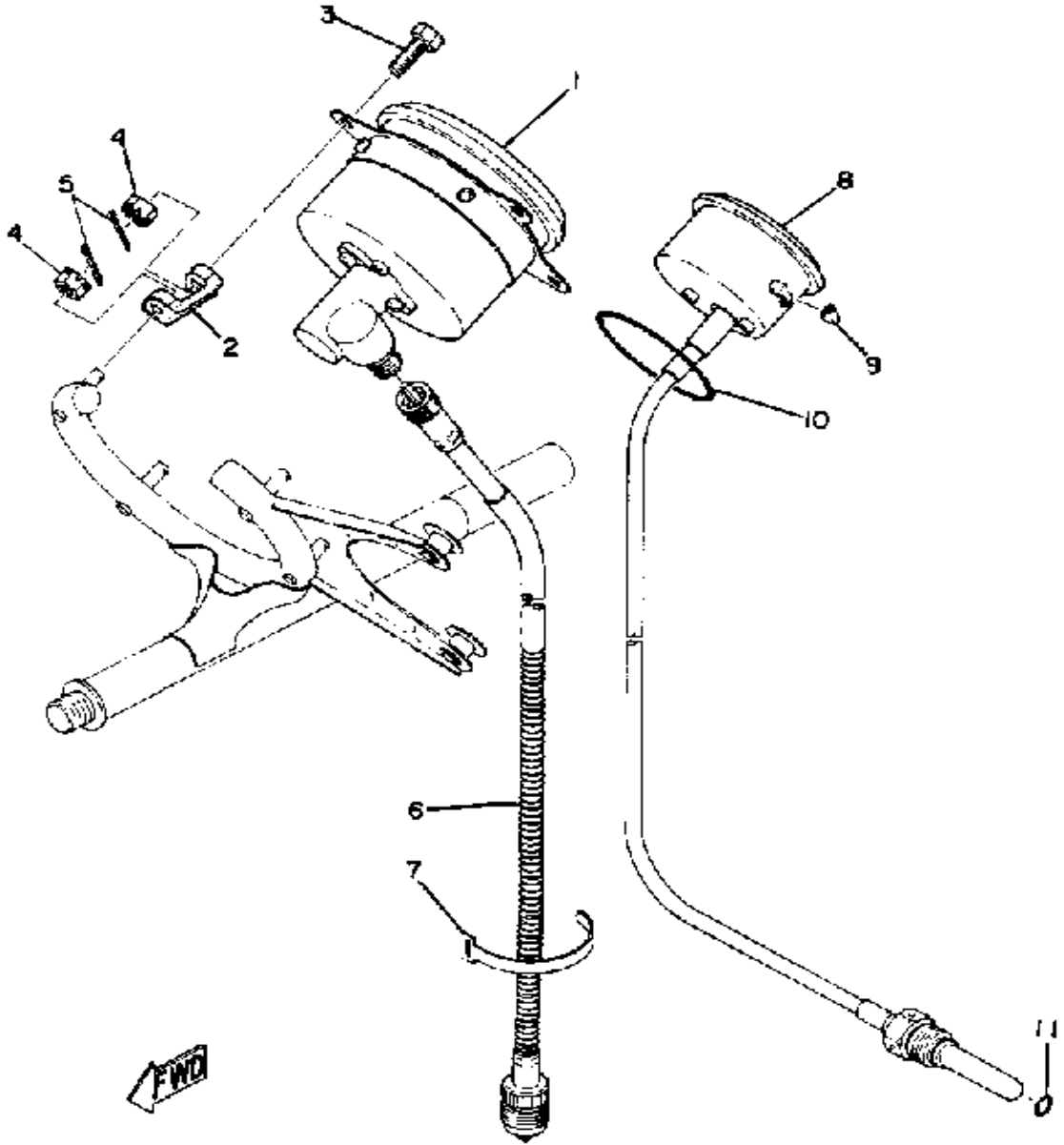
Ref. No.	Part Number	Description	Qty	Remarks
1	(409-25831-00-00)	DISC, BRAKE	1	
2	(341-25832-01-00)	BRACKET, DISC	1	
3	90109-06018-00	BOLT	8	
4	90215-06106-00	WASHER, LOCK (306-25834-00)	8	
5	95380-06600-00	NUT	8	
6	90109-08367-00	BOLT (341-25411-00)	6	
7	341-25412-00-00	WASHER	3	
8	(409-25810-52-00)	CALIPER ASSEMBLY	1	
9	306-25827-04-00	. SHIM, CALIPER (306-25827-02)	1	
10	409-W0045-00-00	. BRAKE PAD KIT, FRNT	2	
11	306-25828-04-00	. SHIM, CALIPER	1	
12	306-25829-00-00	. EMBLEM, CALIPER	1	
13	306-25824-00-00	. SCREW, BLEED	1	
14	306-25825-01-00	. CAP	1	
15	856-W0047-00-00	. CALIPER SEAL KIT (856-20000-50)	1	
16	306-25821-01-00	. BOLT 1	1	
17	306-25822-01-00	. BOLT 2	1	
18	306-25826-01-00	. BOLT 3	2	
19	90109-10244-00	BOLT	1	
20	92990-10100-00	LOCKWASHER	2	
21	92990-10200-00	WASHER, PLAIN	1	
22	95303-10600-00	NUT (95301-10600)	1	
9-1	409-25827-50-00	. SHIM, CALIPER	1	
10-1	409-W0045-00-00	. BRAKE PAD KIT, FRNT	2	
11-1	409-25828-50-00	. SHIM, CALIPER (306-25828-02)	1	

COWLING



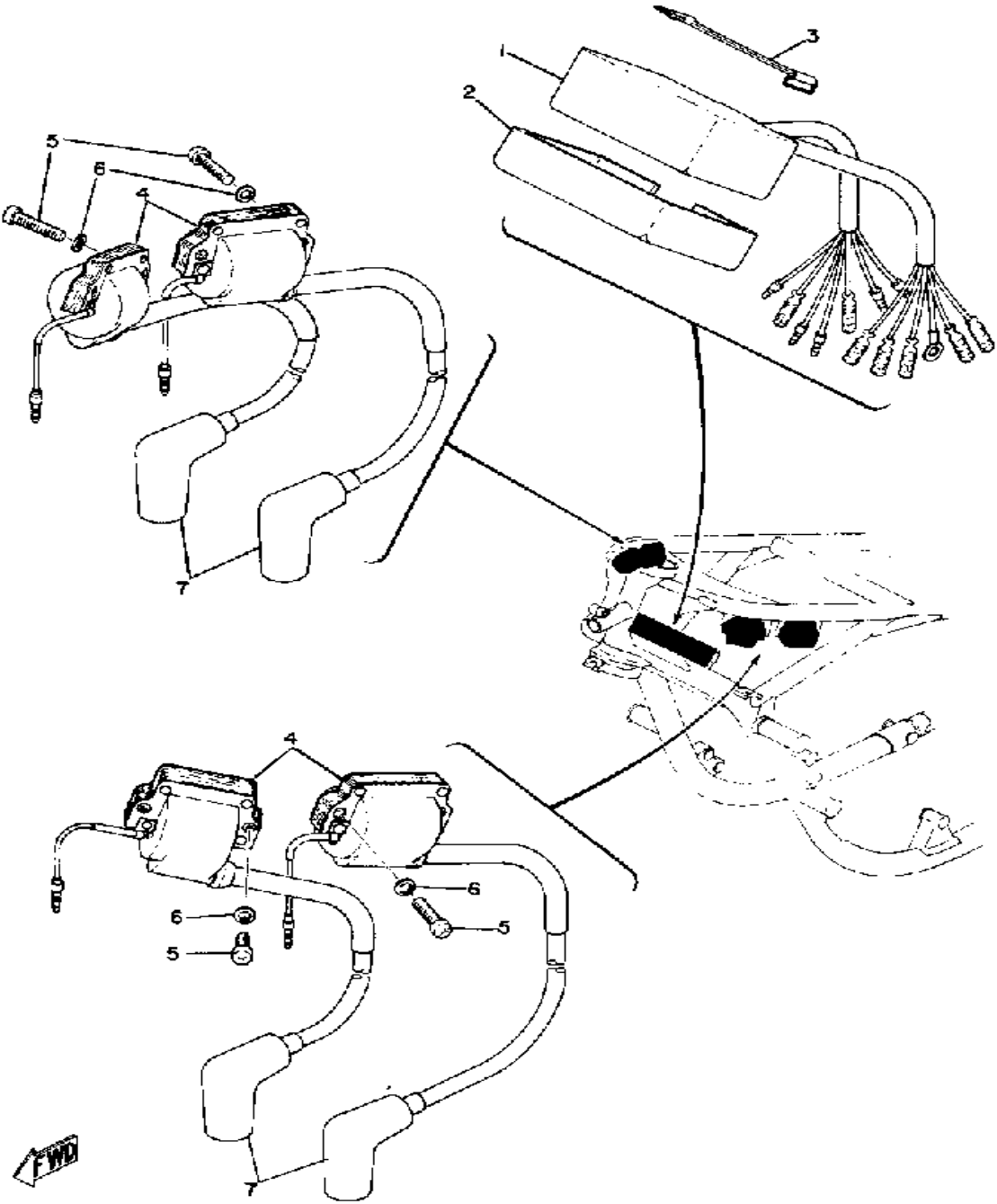
Ref. No.	Part Number	Description	Qty	Remarks
1	(ACC-11110-77-04)	TZ750E WNDSHD ONLY	1	
	(ACC-11110-77-07)	TZ500/750RRFR W/WS	1	
2	(ACC-11110-77-04)	TZ750E WNDSHD ONLY	1	
3	90140-04012-00	. SCREW, ROUND HEAD	7	
4	95301-04600-00	. NUT	7	
5	92901-04100-00	. WASHER, SPRING	7	
8	240-28386-00-00	. HEAD	9	
9	240-28389-00-00	. RIVET	9	
10	(240-28388-00-00)	SPRING	9	
11	(90260-02002-00)	RIVET, ROUND HEAD	18	
13	90140-06010-00	SCREW, ROUND HEAD (143-28353-00)	5	
14	95701-06300-00	NUT, NYLON	2	

METER



Ref. No.	Part Number	Description	Qty	Remarks
1	328-83540-00-00	TACHOMETER ASSEMBLY ...	1	
2	143-83543-00-00	DAMPER, BRACKET	4	
3	(90102-05012-00)	BOLT, WITH HOLE	4	
4	95301-05900-00	NUT, SLOTTED	8	
5	91401-10015-00	PIN, COTTER	8	
6	409-83560-01-00	TACHOMETER CABLE	1	
7	437-83936-11-00	BAND, SWITCH CORD	1	
8	(409-83590-01-00)	WATER TEMP METER	1	
9	90468-10001-00	CLIP	2	
10	93210-56077-00	O-RING	1	
11	93210-10118-00	O-RING	1	

ELECTRICAL



Ref. No.	Part Number	Description	Qty	Remarks
1	(1X2-85540-10-00)	CDI UNIT ASSEMBLY	1	
2	(409-85547-00-00)	DAMPER	1	
3	122-82131-00-00	BAND, BATTERY	1	
4	322-82310-10-00	IGNITION COIL ASSEMBLY ...	4	
5	98511-06025-00	SCREW PAN HEAD (92501-06025)	4	
6	92995-06100-00	WASHER, SPRING	4	
7	294-82370-00-00	PLUG CAP ASSEMBLY	4	