

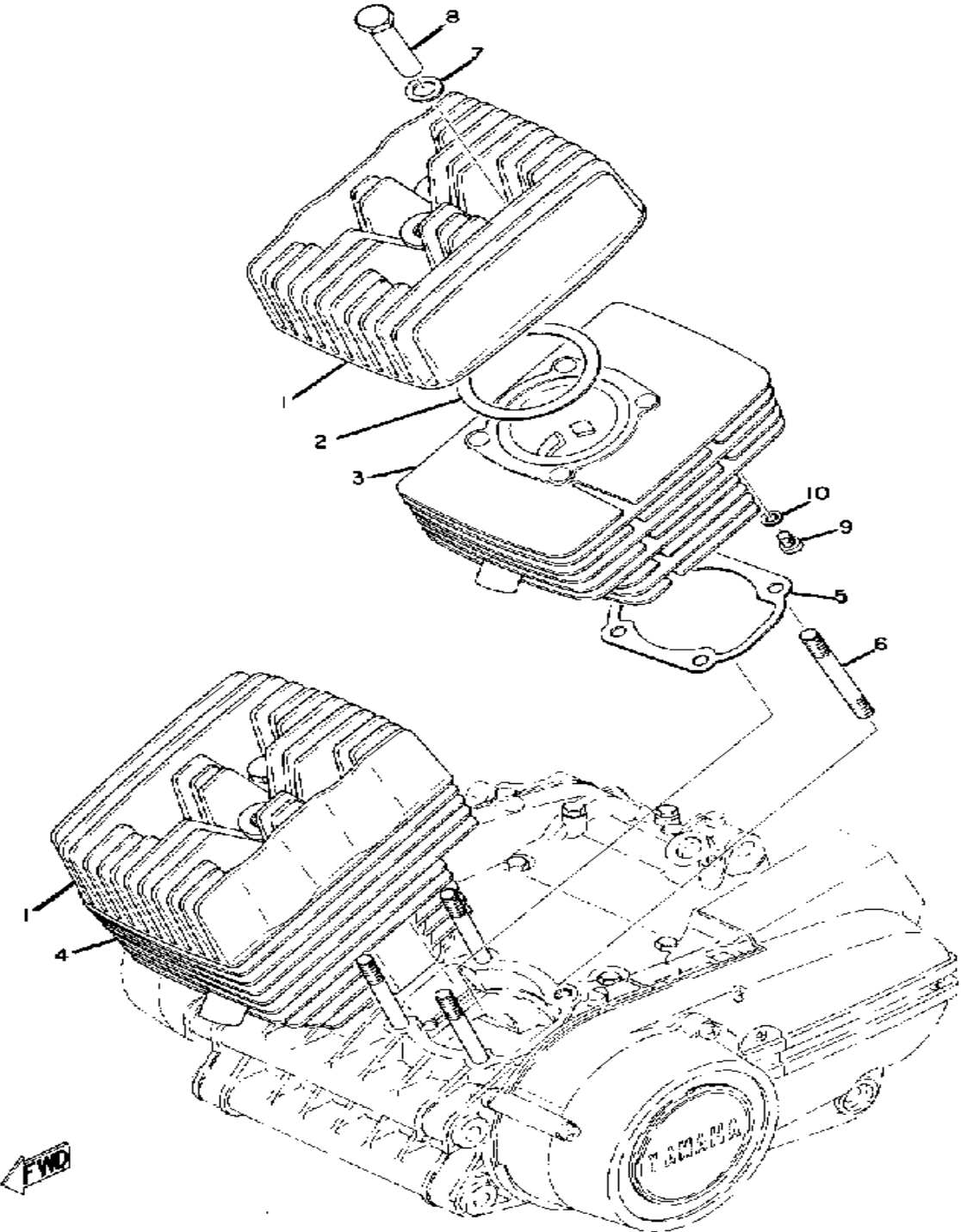
YAMAHA

GENUINE

PARTS CATALOGUE

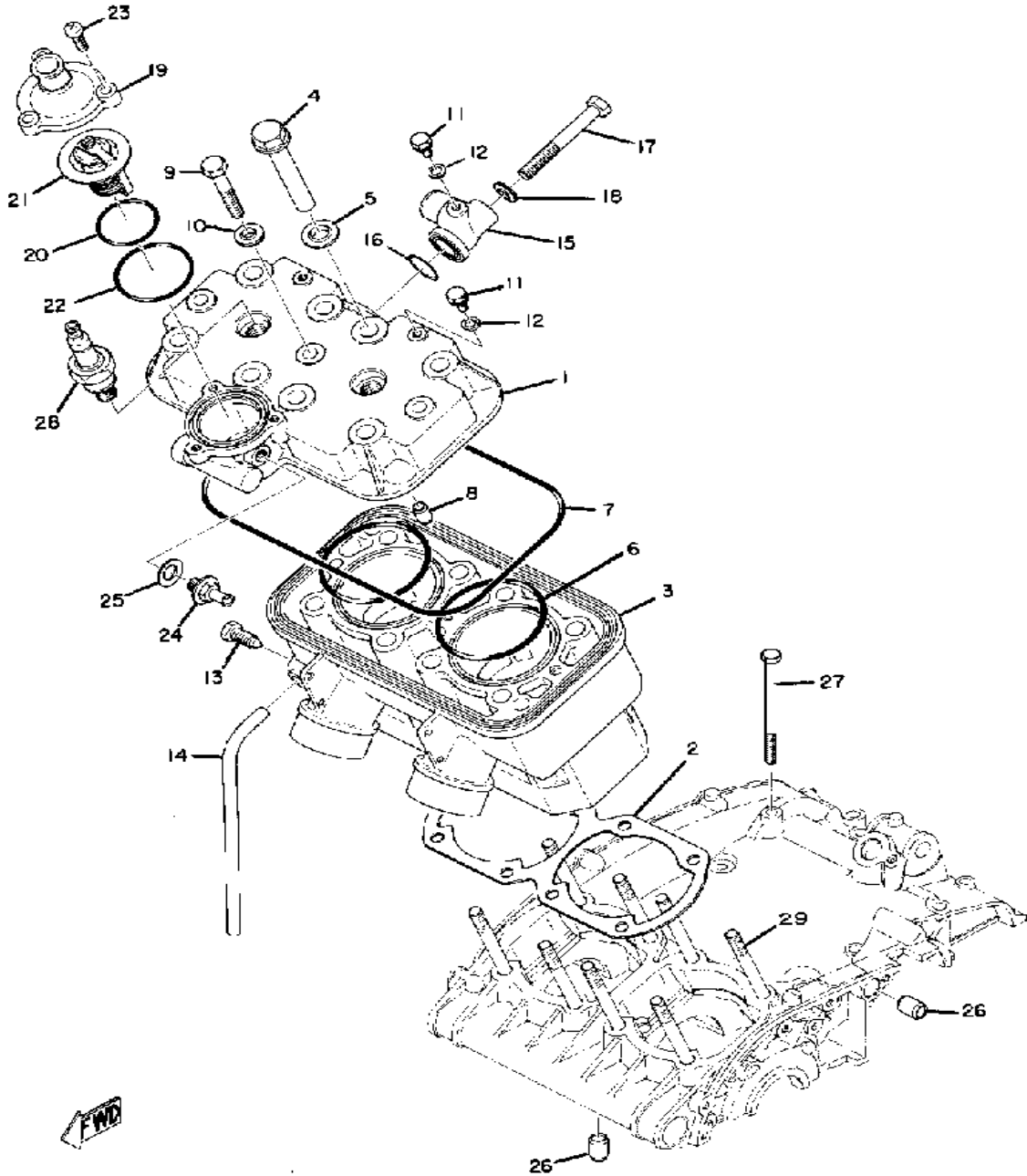
MOTORCYCLE

CYLINDER HEAD - CYLINDER TD3 - TR3



Ref. No.	Part Number	Description	Qty	Remarks
1	(328-11111-00-00)	HEAD, CYLINDER 1	2	
	(329-11111-00-00)	HEAD, CYLINDER 1	2	
2	278-11181-01-00	GASKET, CYLINDER HEAD 1	2	
	280-11181-01-00	GASKET, CYLINDER HEAD 1	2	
3	(328-11311-00-00)	CYLINDER 1	1	
	(329-11311-00-00)	CYLINDER 1	1	
4	(328-11321-00-00)	CYLINDER 2	1	
	(329-11321-00-00)	CYLINDER 2	1	
5	278-11351-01-00	GASKET, CYLINDER	2	
6	90116-08064-00	BOLT, STUD	8	
	90116-08065-00	BOLT, STUD	8	
7	90201-12362-00	WASHER, PLATE	8	
8	90179-08026-00	NUT, SPEC'L SHAPE	8	
9	98580-06008-00	SCREW, PAN HEAD	2	
10	90430-06011-00	GASKET	2	

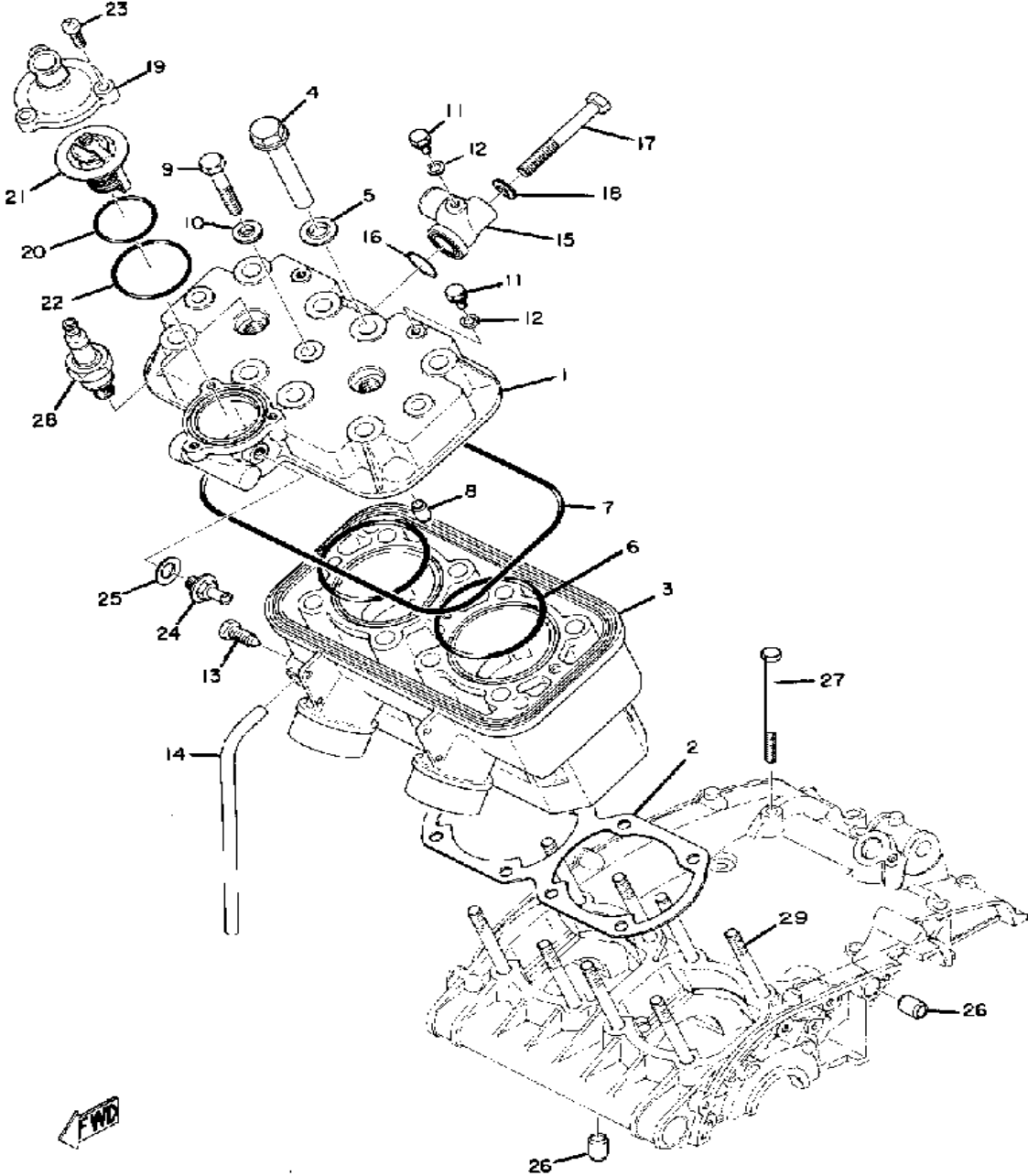
CYLINDER HEAD - CYLINDER TZ250 - T



Ref. No.	Part Number	Description	Qty	Remarks
1	(383-11111-00-00)	HEAD, CYLINDER 1	1	
	(430-11111-00-00)	HEAD, CYLINDER 1	1	
2	383-11351-01-00	GASKET, CYLINDER	1	
3	(383-11311-00-00)	CYLINDER 1	1	
	(430-11311-00-00)	CYLINDER 1	1	
4	90179-08187-00	NUT, SPEC'L SHAPE	8	
5	90210-12003-00	WASHER, SEAL (383-11173-00)	8	
6	93210-69434-00	O-RING	2	
7	93211-94212-00	O-RING	1	
8	99530-10014-00	PIN, DOWEL	2	
	99590-10014-00	PIN, DOWEL	2	
9	95021-08055-00	BOLT, FLANGE	3	
10	90210-08002-00	WASHER, SEAL	3	
11	90338-06041-00	PLUG	3	
12	90430-06166-00	GASKET	3	
13	90340-10016-00	PLUG, STRAIGHT SCRW (383-11374-00)	1	
14	(90445-10139-00)	HOSE	1	
15	(383-12498-00-00)	JOINT	1	
16	93210-20027-00	O-RING	1	
17	90105-08013-00	BOLT, WASHER BASED	1	
18	90210-08002-00	WASHER, SEAL	1	
19	383-12413-00-00	COVER, THERMOSTAT	1	
20	93210-40659-00	O-RING	1	
21	717-12411-00-00	THERMOSTAT	1	
22	93210-45150-00	O-RING	1	
23	98506-06016-00	SCREW, PANHEAD	3	
24	383-12499-00-00	JOINT	1	
25	90430-12207-00	GASKET	1	

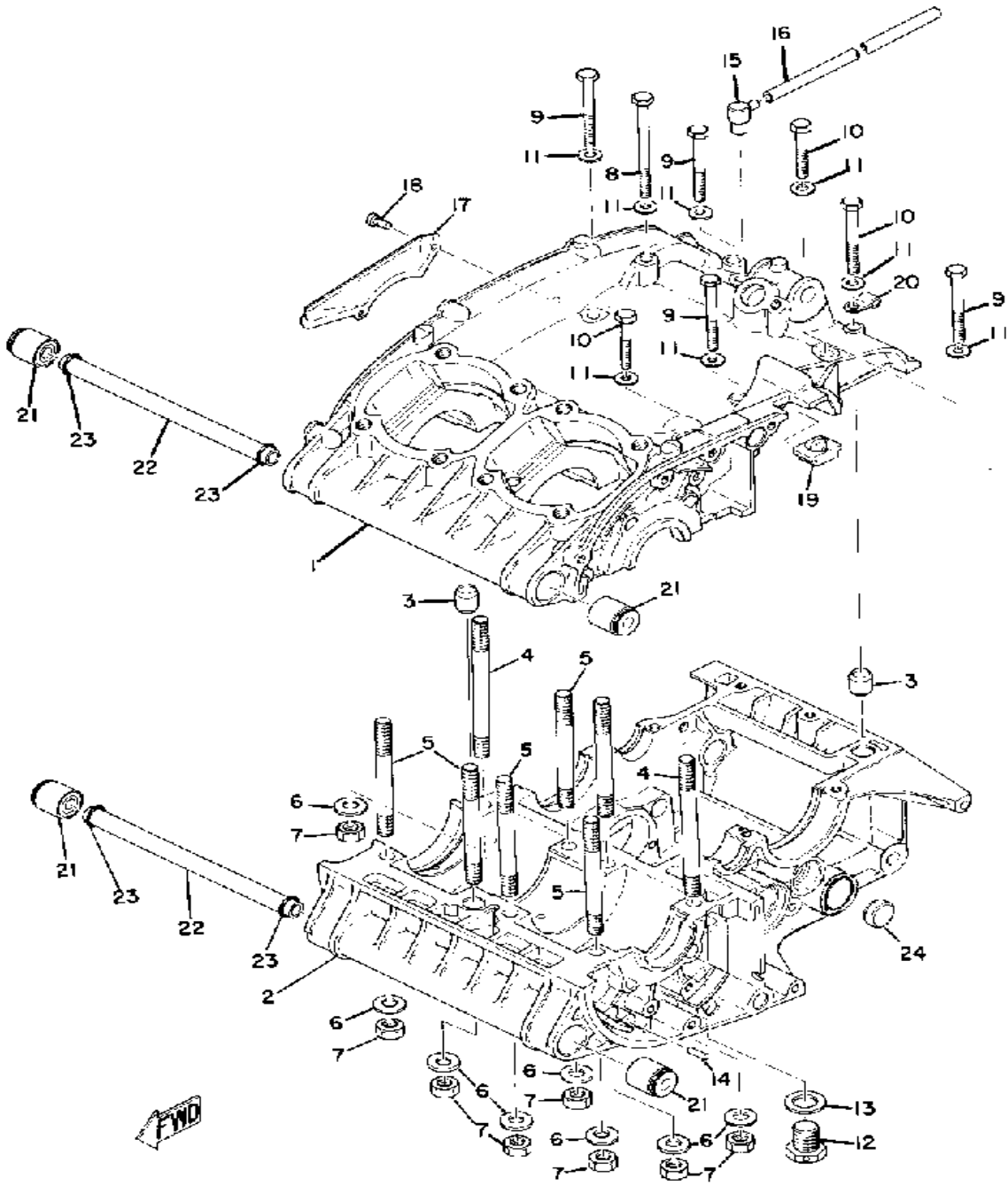
CONTINUED ON NEXT FRAME ►

CYLINDER HEAD - CYLINDER TZ250 - T



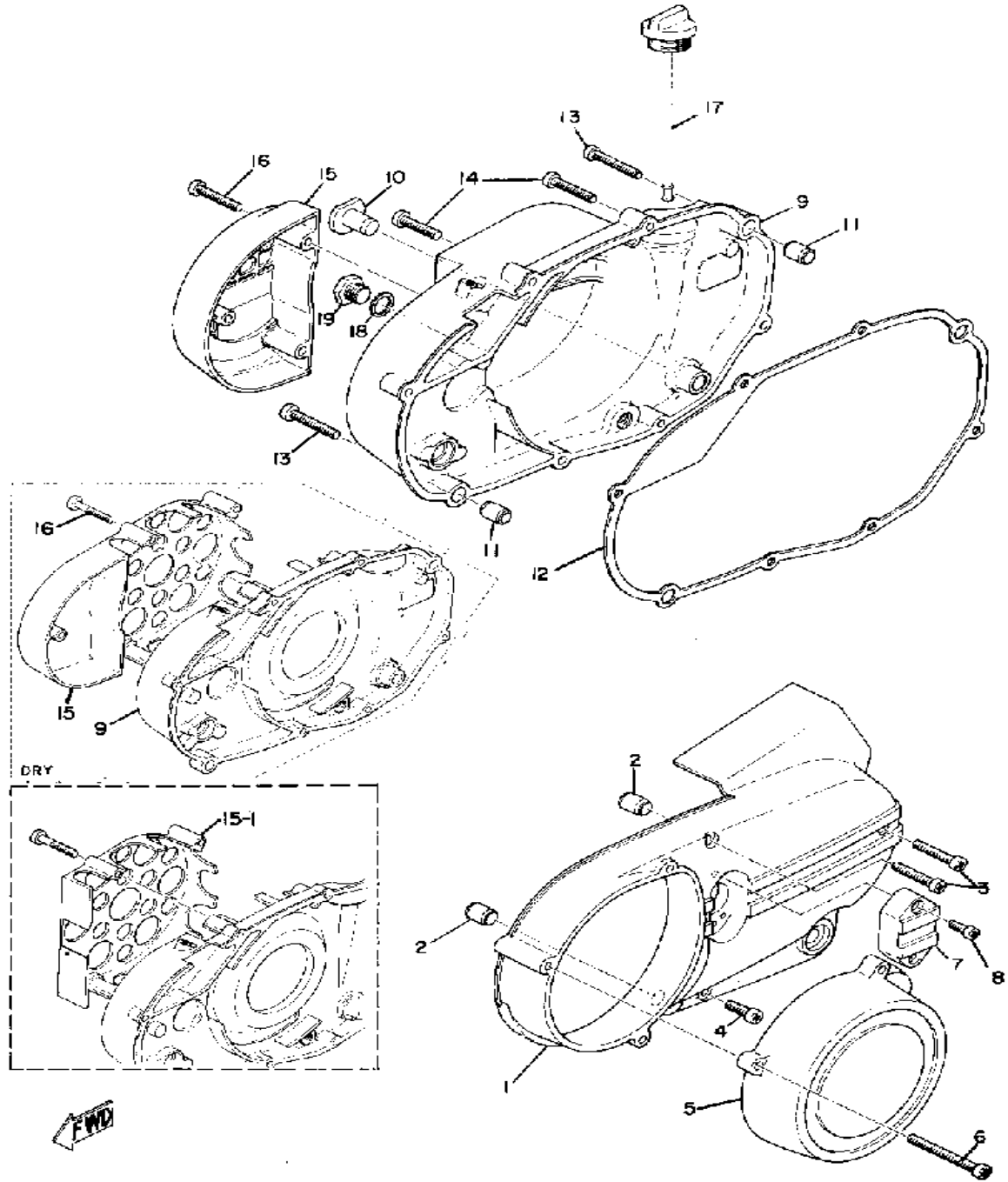
Ref. No.	Part Number	Description	Qty	Remarks
26	99510-12016-00	PIN, DOWEL	4	
27	97311-06090-00	BOLT, HEXAGON	1	
28	(94701-00018-00)	SPARK PLUG B11EN	2	
29	(90116-08213-00)	BOLT, STUD	8	

CRANKCASE



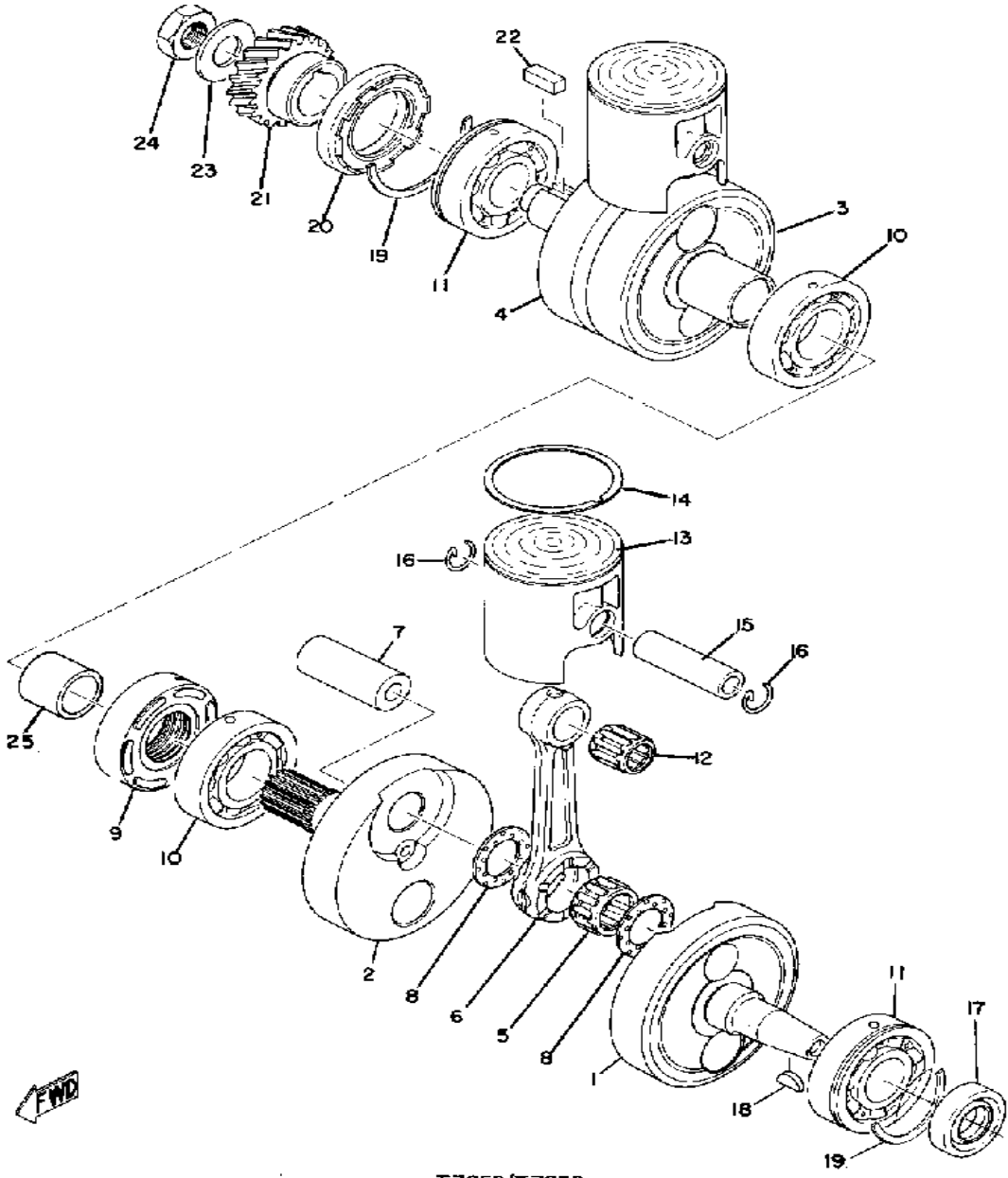
Ref. No.	Part Number	Description	Qty	Remarks
3	99510-12016-00	PIN, DOWEL	2	
4	90116-08232-00	BOLT, STUD	2	
5	90116-08064-00	BOLT, STUD	6	
6	92990-08200-00	WASHER, PLAIN	8	
7	95333-08600-00	NUT, HEXAGON	8	
8	(97321-06085-00)	BOLT, HEXAGON	1	
9	97313-06055-00	BOLT, HEXAGON (97322-06055)	4	
10	97313-06045-00	BOLT (97021-06045-00)	3	
11	92990-06200-00	WASHER	8	
12	90340-14033-00	PLUG, STRAIGHT SCRW	1	
13	137-15353-00-00	GASKET, DRAIN	1	
14	93603-14026-00	PIN, DOWEL	1	
15	583-15371-00-00	BREATHER	1	
16	90446-07241-00	HOSE (3AK)	1	
17	278-15492-01-00	COVER	1	
18	98580-05010-00	SCREW, PAN HEAD	2	
19	278-15441-00-00	HOLDER, CLCH CABLE	1	
20	(90462-05012-00)	CLAMP	1	
21	328-15316-00-00	DAMPER, ENG MOUNT 1 (328-15316-00)	4	
22	328-15317-00-00	SPACER, ENG MOUNT	2	
23	93210-12131-00	O-RING	4	
24	(90338-17016-00)	PLUG, SPEC'L SHAPE	1	
-1	(328-15100-02-00)	CRANKCASE ASSEMBLY	1	

CRANKCASE COVER



Ref. No.	Part Number	Description	Qty	Remarks
1	(328-15411-00-00)	COVER, CRANKCASE L	1	
2	99510-12016-00	PIN, DOWEL	2	
3	98506-06035-00	SCREW, PAN HEAD	2	
4	98516-06020-00	SCREW, PAN HEAD	1	
5	(328-15415-00-00)	COVER, GENERATOR	1	
6	98506-06060-00	SCREW, PAN HEAD	3	
7	(328-15417-00-00)	COVER, CAP	1	
8	98506-05020-00	SCREW, PAN HEAD	2	
9	(328-15421-10-00)	COVER, CRANKCASE R	1	
	(383-15421-11-00)	COVER, CRANKCASE R	1	
10	90338-22030-00	PLUG, SPEC'L SHAPE (168-18149-01)	1	
11	99510-12016-00	PIN, DOWEL	2	
12	278-15461-02-00	GASKET, CRCS CVR 2	1	
13	98506-06040-00	SCREW, PAN HEAD	2	
14	98516-06030-00	SCREW, PAN HEAD	6	
15	(328-15416-10-00)	COVER, OIL PUMP	1	
16	98506-06040-00	SCREW, PAN HEAD	4	
	98506-06040-00	SCREW, PAN HEAD	5	
17	278-15363-00-00	PLUG, OIL	1	
18	137-15353-00-00	GASKET, DRAIN	1	
19	90340-14033-00	PLUG, STRAIGHT SCRW	1	
15-1	(383-15416-00-00)	COVER, OIL PUMP	1	

CRANK - PISTON



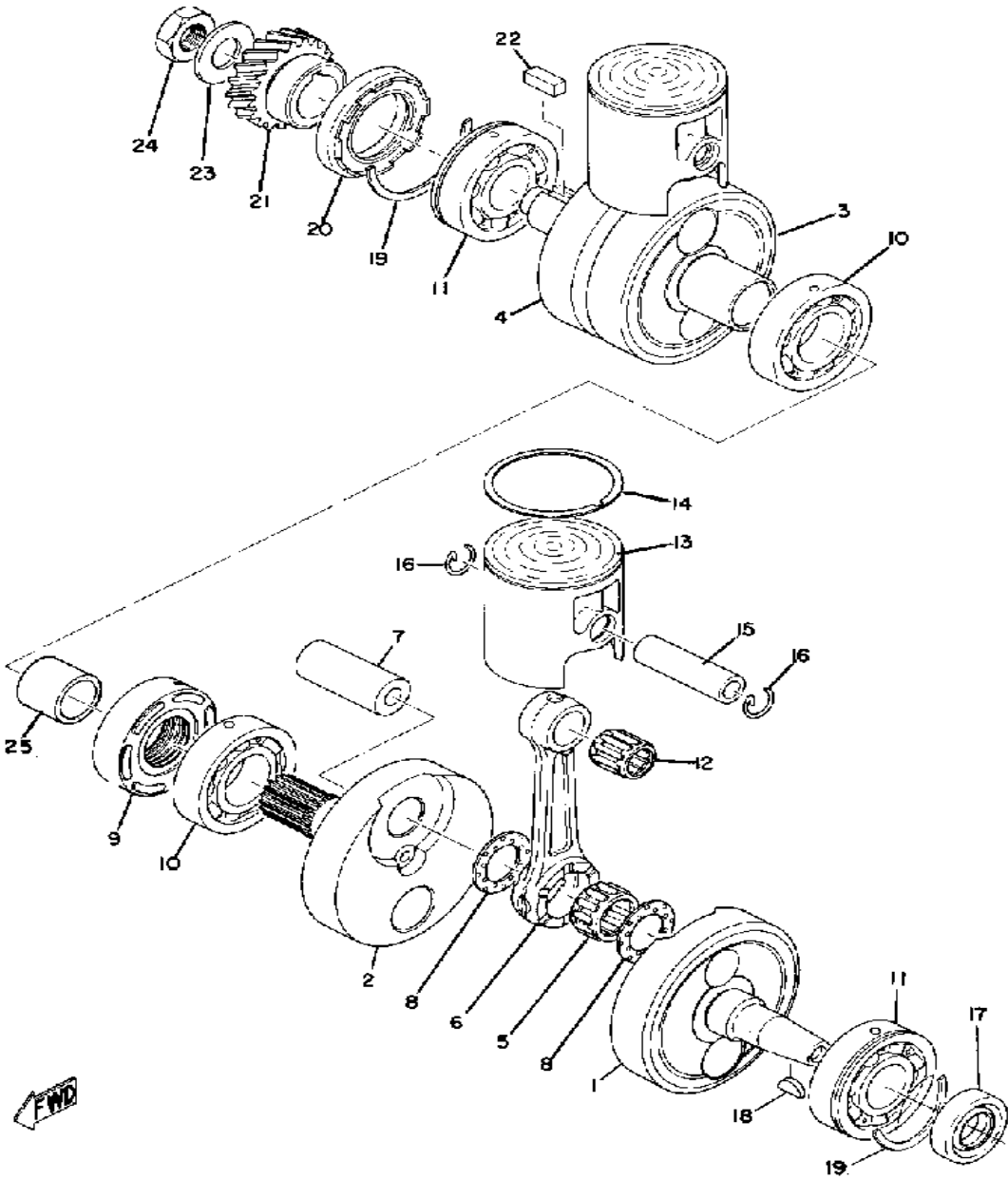
T2250/T2350

PISTON SKIRT CLEARANCE (NEW) (MAX.)	.040 ~ .045mm (.0016 ~ .0018") / 0.1mm (.004")
RING END GAP (TOP) (2ND) (3RD)	0.4 ~ 0.5mm (.016 ~ .020") φ φ
RING GROOVE CLEARANCE (TOP) (2ND) (3RD)	0.03 ~ 0.07mm (.0012 ~ .0028") φ φ

Ref. No.	Part Number	Description	Qty	Remarks
1	328-11412-02-00	. CRANK 1	1	
2	(328-11422-02-00)	CRANK 2	1	
3	(328-11432-02-00)	CRANK 3	1	
4	(328-11442-02-00)	CRANK 4	1	
5	93310-422C8-00	. BEARING, CYLINDER.	2	
6	3G2-11650-09-00	CONNECTING ROD ASSEMBLY	2	
7	8G8-11681-00-00	.. PIN, CRANK 1	2	
8	90209-22248-00	. WASHER	4	
9	328-11515-00-00	. SEAL, LABYRINTH 1	1	
10	93306-20614-00	. BEARING	2	
11	93390-00012-00	. BEARING, CYLINDER. # 0 ...	2	
12	93310-216E1-00	BEARING	2	
	93310-216L2-00	BEARING, CYLINDRICAL	2	
13	(328-11631-01-96)	PISTON STD	2	U.R
	(328-11631-01-97)	PISTON STD	2	U.R
	(328-11631-01-98)	PISTON STD	2	U.R
	(328-11631-01-99)	PISTON STD	2	U.R
	(329-11631-00-96)	PISTON STD	2	U.R
	(329-11631-00-97)	PISTON STD	2	U.R
	(329-11631-00-98)	PISTON STD	2	U.R
	(329-11631-00-99)	PISTON STD	2	U.R
	(383-11631-01-97)	PISTON STD	2	U.R
	1H4-11631-02-96	PISTON STD (63.96MM)	2	U.R
	430-11631-01-96	PISTON STD (53.97MM)	2	U.R
14	328-11611-00-00	RING, PISTON STD	2	
	329-11611-00-00	RING, PISTON STD	2	
15	280-11633-00-00	PIN, PISTON	2	
	4L0-11633-00-00	PIN, PISTON	2	
16	93450-17025-00	CIRCLIP	4	

CONTINUED ON NEXT FRAME ➤

CRANK - PISTON

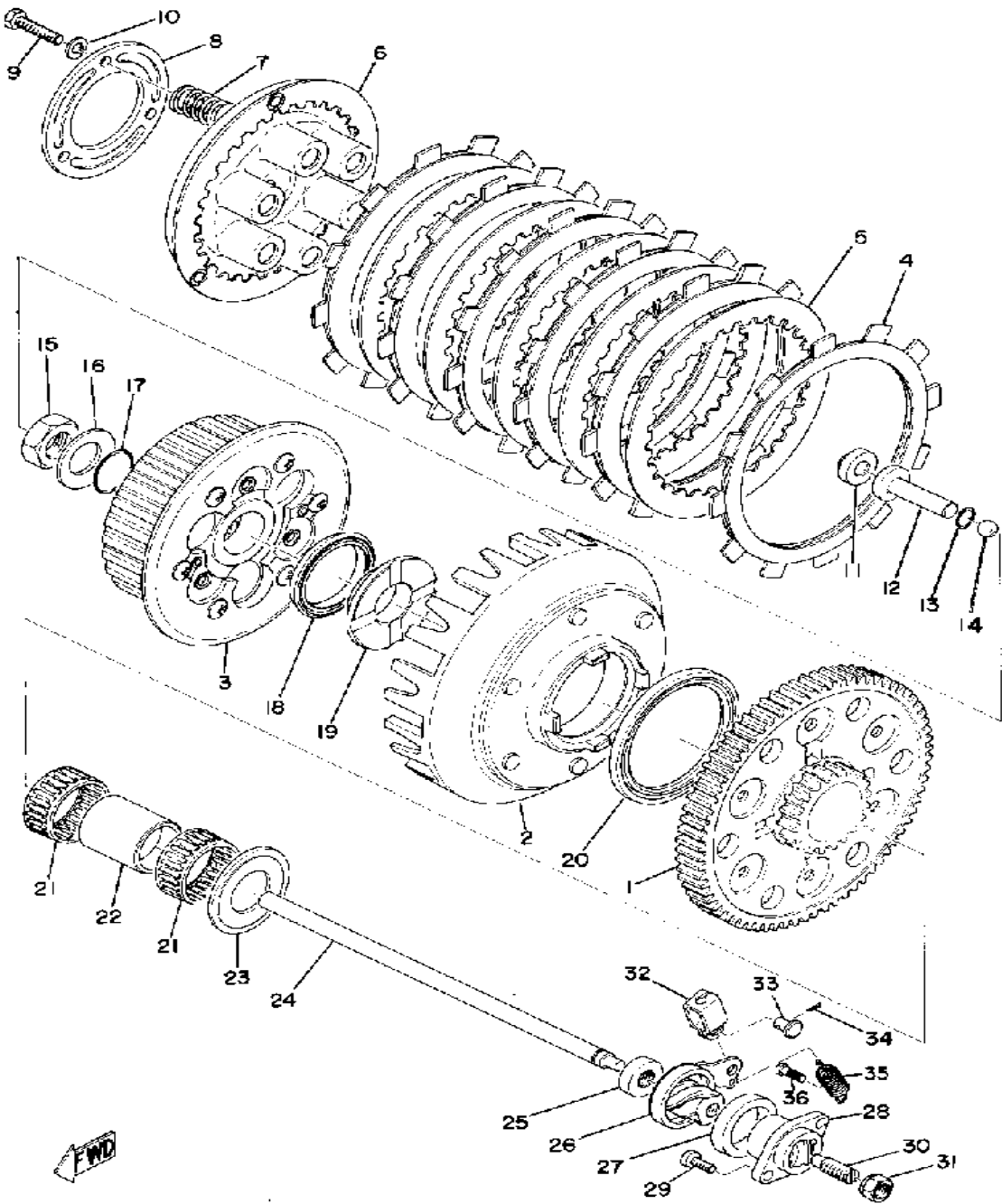


Ref. No.	Part Number	Description	Qty	Remarks
17	93103-20046-00	OIL SEAL, SW-TYPE	1	
	93103-20076-00	OIL SEAL, SW-TYPE	1	
18	90280-04005-00	KEY, WOODRUFF	1	
19	278-17424-01-00	CIRCLIP 1	2	
	328-17424-00-00	CIRCLIP 1	4	
20	(93103-40058-00)	OIL SEAL, SW-TYPE	1	
	93103-40077-00	OIL SEAL	1	
21	(329-16111-00-00)	GEAR, PRI DRIVE	1	
	328-16111-00-00	GEAR, PRI DRIVE (25T)	1	
22	90282-07023-00	KEY, STRAIGHT	1	
23	214-16119-00-00	SPRING, BELLEVILLE	1	
24	90170-16182-00	NUT	1	
25	90387-32204-00	COLLAR (328-11513-00)	1	
-1	3G2-Y1140-00-00	CRANKSHAFT ASSEMBLY	1	

TZ250/TZ350

PISTON SKIRT CLEARANCE (NEW) (MAX.)	.040 ~ .045mm (.0016 ~ .0018")/0.1mm (.004")
RING END GAP (TOP) (2ND) (3RD)	0.4 ~ 0.5mm (.016 ~ .020") ϕ ϕ
RING GROOVE CLEARANCE (TOP) (2ND) (3RD)	0.03 ~ 0.07mm (.0012 ~ .0028") ϕ ϕ

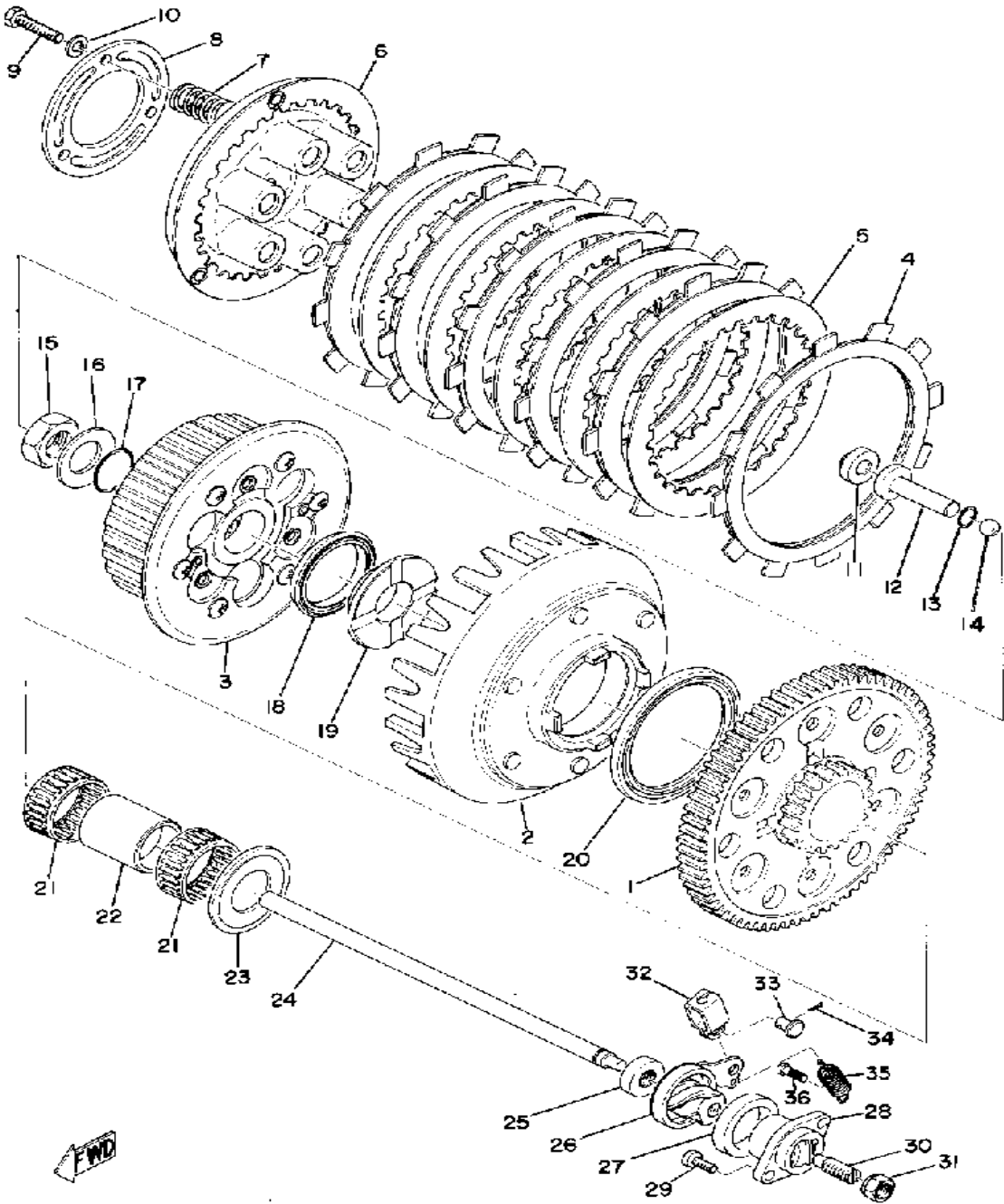
CLUTCH



Ref. No.	Part Number	Description	Qty	Remarks
1	(328-16150-10-00)	PRI DRVN GEAR	1	
	(329-16150-10-00)	PRI DRVN GEAR	1	
2	(328-16160-10-00)	BUFFER BOSS ASSEMBLY	1	
3	328-16370-10-00	CLUTCH BOSS ASSEMBLY	1	
4	383-16321-10-00	. PLATE, FRICTION	6	
5	328-16324-10-00	. PLATE, CLUTCH 1	5	
6	(328-16350-00-00)	PRESSURE PLATE ASSEMBLY	1	
7	90501-23138-00	. SPRING, COMPRESSION	6	
8	(328-16352-00-00)	PLATE, PRESSURE 2	1	
9	97011-06025-00	. BOLT (97001-06025)	3	
10	92995-06100-00	. WASHER, SPRING	3	
11	(328-16366-10-00)	BUSH	1	
12	174-16356-00-00	ROD, PUSH 1	1	
13	93210-09350-00	O-RING	1	
14	93505-16006-00	BALL	1	
15	90170-18089-00	NUT, HEXAGON	1	
16	214-16119-00-00	SPRING, BELLEVILLE	1	
17	93210-22298-00	O-RING	1	
18	93107-40006-00	OIL SEAL, OS-TYPE	1	
19	(328-16182-10-00)	SPACER 2	1	
20	93102-66439-00	OIL SEAL, S-TYPE	1	
21	93310-23356-00	BEARING, CYLINDER.# 0	2	
22	278-16181-01-00	SPACER 1	1	
23	(278-16154-00-00)	PLATE, THRUST 1	1	
24	328-16357-00-00	ROD, PUSH 2	1	
25	93109-08061-00	OIL SEAL	1	
26	278-16340-00-00	PUSH LEVER ASSEMBLY	1	
27	214-16347-01-00	SEAL, DUST	1	
28	371-16396-00-00	HOUSING, PUSH SCREW	1	

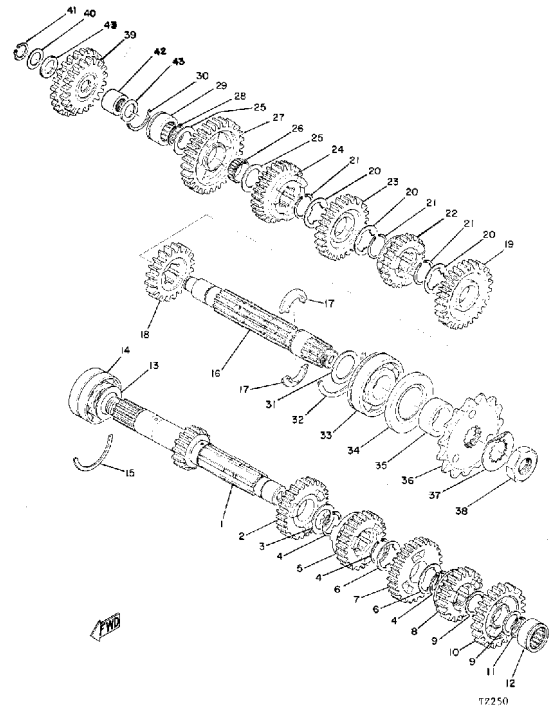
CONTINUED ON NEXT FRAME ➤

CLUTCH



Ref. No.	Part Number	Description	Qty	Remarks
29	98580-05012-00	SCREW, PAN HEAD	2	
30	90113-08021-00	BOLT, SET	1	
31	90179-08179-00	NUT	1	
32	214-16389-00-00	JOINT	1	
33	90240-06005-00	PIN, CLEVIS	1	
34	91401-10015-00	PIN, COTTER	1	
35	90506-10023-00	SPRING, TENSION	1	
36	132-16346-00-00	HOOK, SPRING	1	
-1	(328-16301-11-00)	CLUTCH ASSEMBLY	1	
9-1	97011-06025-00	. BOLT (97001-06025)	3	

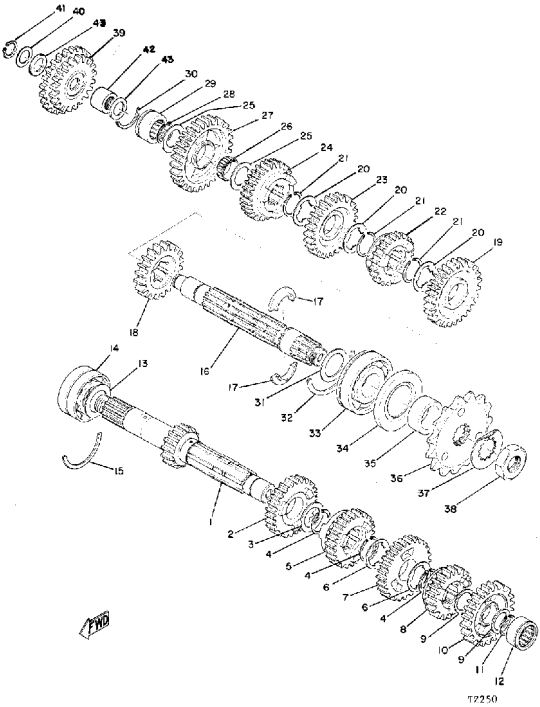
TRANSMISSION



Ref. No.	Part Number	Description	Qty	Remarks
1	328-17411-00-00	AXLE, MAIN	1	
2	(328-17141-00-00)	GEAR, 4TH PINION	1	
3	90201-25490-00	WASHER, PLATE	1	
4	93440-25084-00	CIRCLIP	3	
5	328-17131-00-00	GEAR, 3RD PINION	1	
6	90209-21105-00	WASHER	2	ALTERNATEPARTS
7	(328-17161-00-00)	GEAR, 6TH PINION	1	ALTERNATEPARTS
8	(328-17121-00-00)	GEAR, 2ND PINION	1	
9	90201-20266-00	WASHER, PLATE (1.0T)	2	
10	(328-17151-00-00)	GEAR, 5TH PINION	1	
11	99009-20400-00	CIRCLIP	1	
12	93311-22027-00	BEARING, CYLINDRICAL	1	
13	168-17428-01-03	SHIM 2 (25-34-0.3)	1	
	168-17428-01-05	SHIM 2 (25-34-0.5)	1	
14	93305-20502-00	BEARING (93305-20508-00)	1	
15	93440-52009-00	CIRCLIP	1	
16	(328-17421-01-00)	AXLE, DRIVE	1	
17	156-17429-00-00	SPACER, DRIVE AXLE	2	
18	(328-17251-00-00)	GEAR, 5TH WHEEL	1	
19	(328-17221-00-00)	GEAR, 2ND WHEEL	1	
20	90209-21105-00	WASHER	3	
21	93440-25084-00	CIRCLIP	3	
22	(328-17261-00-00)	GEAR, 6TH WHEEL	1	
23	328-17231-00-00	GEAR, 3RD WHEEL	1	
24	(328-17211-00-00)	GEAR, 1ST WHEEL	1	
25	90201-20276-00	WASHER, PLATE (1.0T)	2	
26	93310-22057-00	BEARING (K20-24X10 S)	1	
27	(328-17211-00-00)	GEAR, 1ST WHEEL	1	
28	99009-20400-00	CIRCLIP	1	

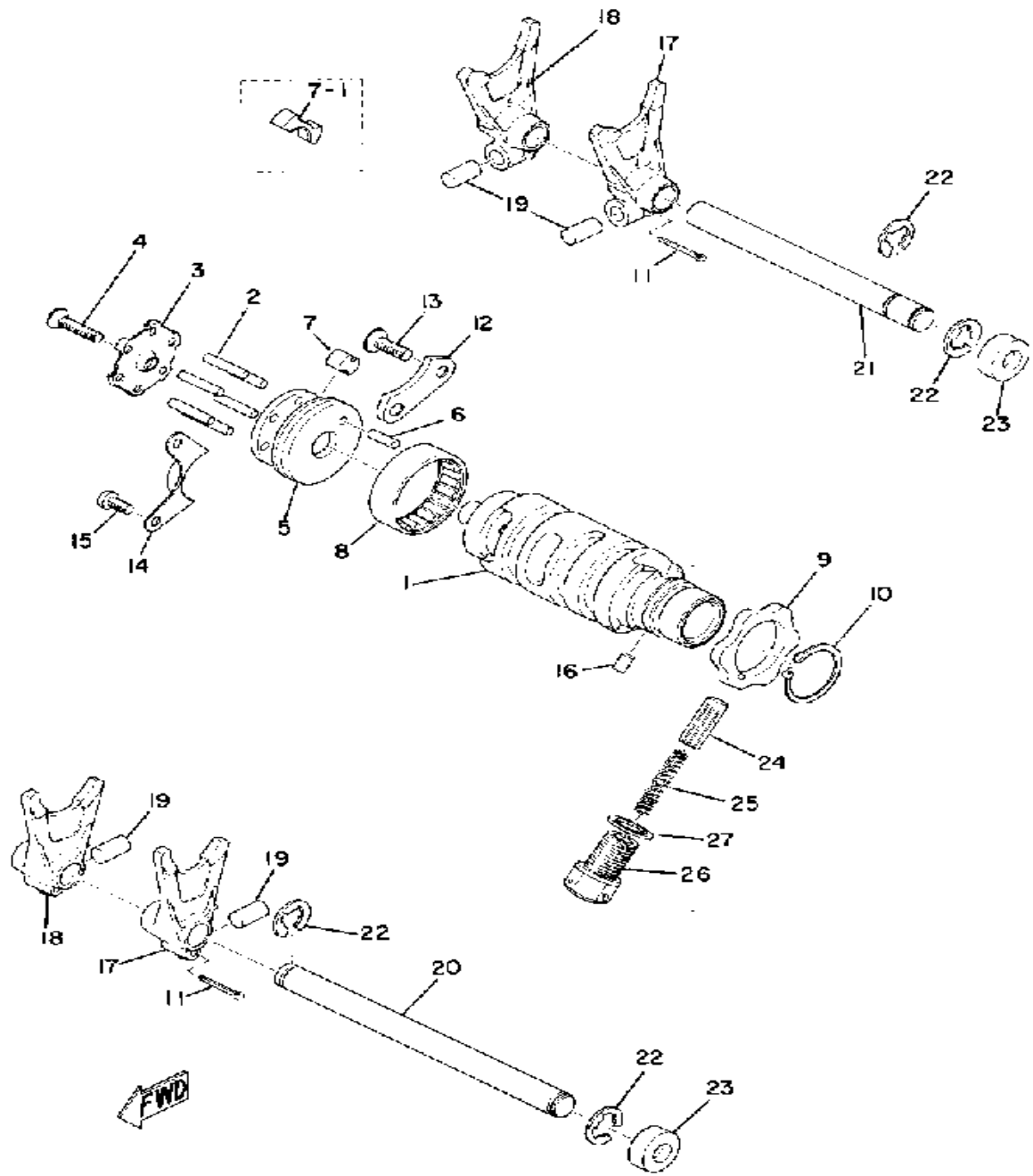
CONTINUED ON NEXT FRAME ➤

TRANSMISSION



Ref. No.	Part Number	Description	Qty	Remarks
29	93311-42045-00	BEARING (20NG3315NE)	1	
30	278-17425-00-00	CIRCLIP 2	1	
31	168-17428-01-03	SHIM 2 (25-34-0.3)	1	
	168-17428-01-05	SHIM 2 (25-34-0.5)	1	
32	278-17424-01-00	CIRCLIP 1	1	
33	93306-30506-00	BEARING (B6305N) (93306-30504-00)	1	
34	93102-35109-00	OIL SEAL (SD-35-62-6 HS)	1	
35	90387-25192-00	COLLAR	1	
36	(9383E-17122-00)	SPROCKET, DRIVE	1	U.RU.RU.RU.R
	170-17461-60-00	SPROCKET, DRIVE	1	TD3 @ 5 SPEED U.RU.RU.RU.R
	9383E-15083-00	SPROCKET, DRIVE	1	
37	90215-21022-00	WASHER, LOCK	1	
38	90179-18020-00	NUT	1	
39	(278-15650-00-00)	IDLE GEAR ASSEMBLY	1	
	(328-15650-00-00)	IDLE GEAR ASSEMBLY	1	
40	164-17417-00-10	SHIM 1 (1.0T)	1	
41	99009-15400-00	CIRCLIP	1	
42	(93310-21564-00)	BEARING, CYLINDER.# 0	1	
43	90201-154E8-00	WASHER, PLATE (1.0T)	2	

SHIFTER A

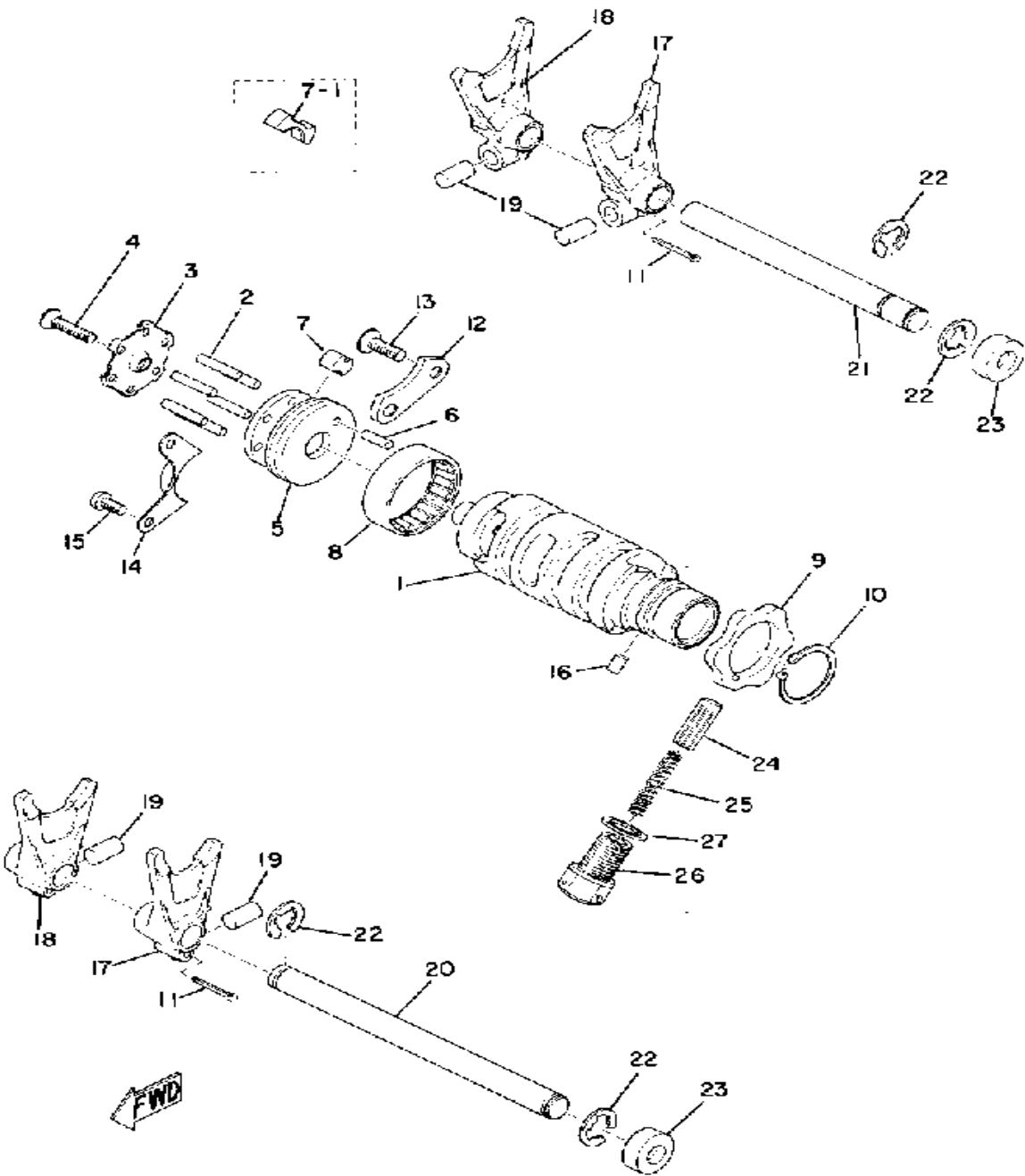


Ref. No.	Part Number	Description	Qty	Remarks
2	93604-22050-00	. PIN, DOWEL	6	
3	328-18561-00-00	. PLATE, SIDE 1	1	
4	98703-05018-00	. SCREW, FLAT HEAD (98701-05018-00)	1	
5	(328-18185-00-00)	SEGMENT	1	
6	93604-14012-00	. PIN, DOWEL	1	
7	(328-18352-00-00)	PLATE, PAWL	1	5SPEED
8	93315-23612-00	. BEARING	1	
9	(328-18141-00-00)	PLATE, STOPPER	1	
10	99009-30400-00	CIRCLIP	1	
11	91401-25030-00	PIN, COTTER	4	
12	(328-18562-00-00)	PLATE, STOPPER 2	1	
13	98701-06014-00	SCREW, FLAT HEAD	2	
14	328-18179-00-00	GUIDE	1	
15	98580-05010-00	SCREW, PAN HEAD	2	
16	93604-08071-00	PIN, DOWEL	1	
17	328-18511-01-00	FORK, SHIFT 1	2	
18	328-18512-01-00	FORK, SHIFT 2	2	
19	90250-08017-00	PIN, STRAIGHT	4	
20	278-18531-00-00	BAR, SHIF FRK GDE 1	1	
21	(278-18535-00-00)	BAR, SHIF FRK GDE 2	1	
22	99006-10600-00	CIRCLIP	4	
23	90338-22021-00	PLUG, SPEC'L SHAPE (371-18149-00)	2	
24	278-18547-02-00	STOPPER, CAM	1	
25	90501-10062-00	SPRING, COMPRESSION	1	
26	(90149-14066-00)	SCREW, SPEC'L SHAPE	1	
27	137-15353-00-00	GASKET, DRAIN	1	
-1	(328-18540-00-00)	SHIFT CAM ASSEMBLY	1	5SPEED

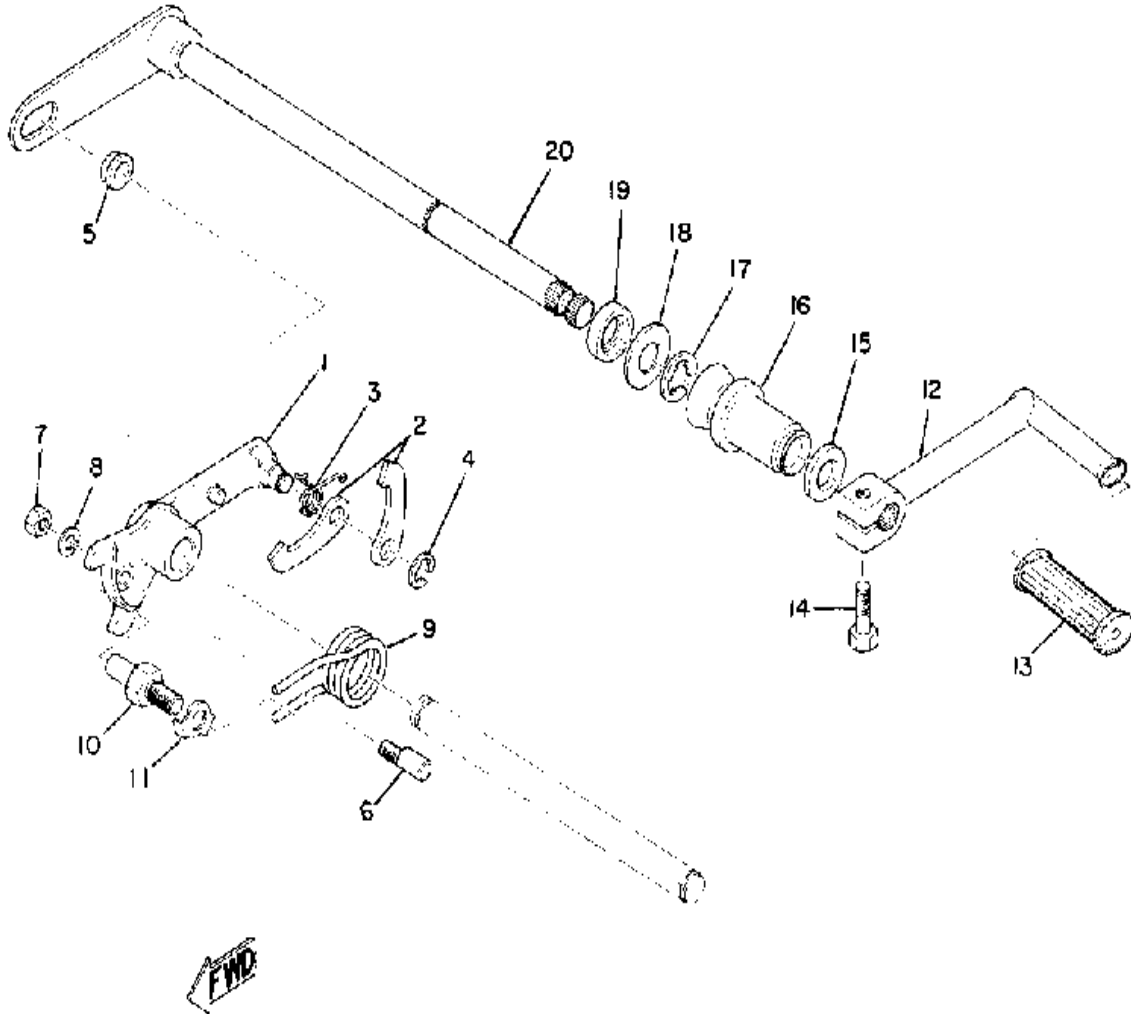
CONTINUED ON NEXT FRAME ►

SHIFTER A

Ref. No.	Part Number	Description	Qty	Remarks
7-1	(328-18352-10-00)	PLATE, PAWL	1	6SPEED

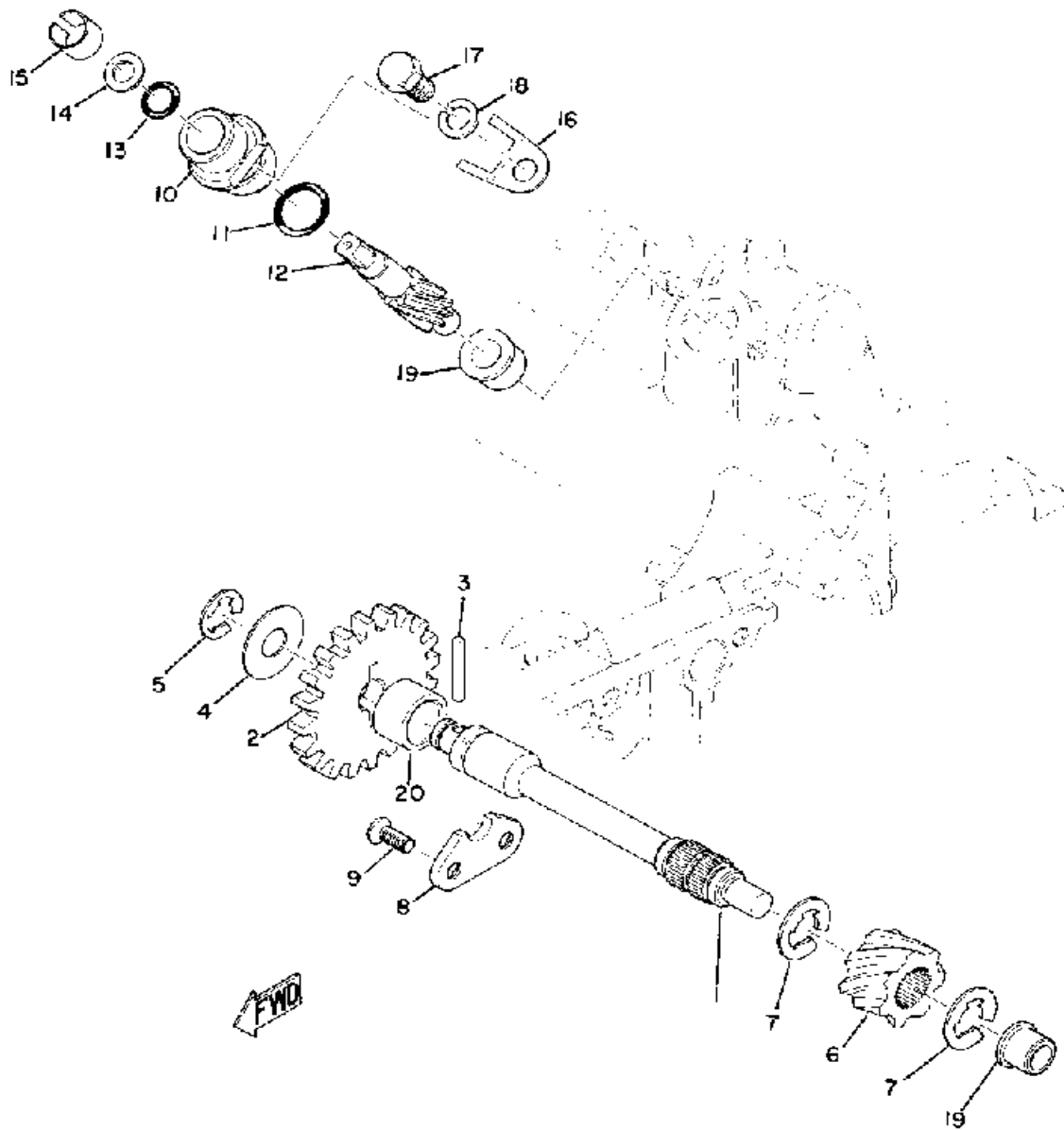


SHIFTER B



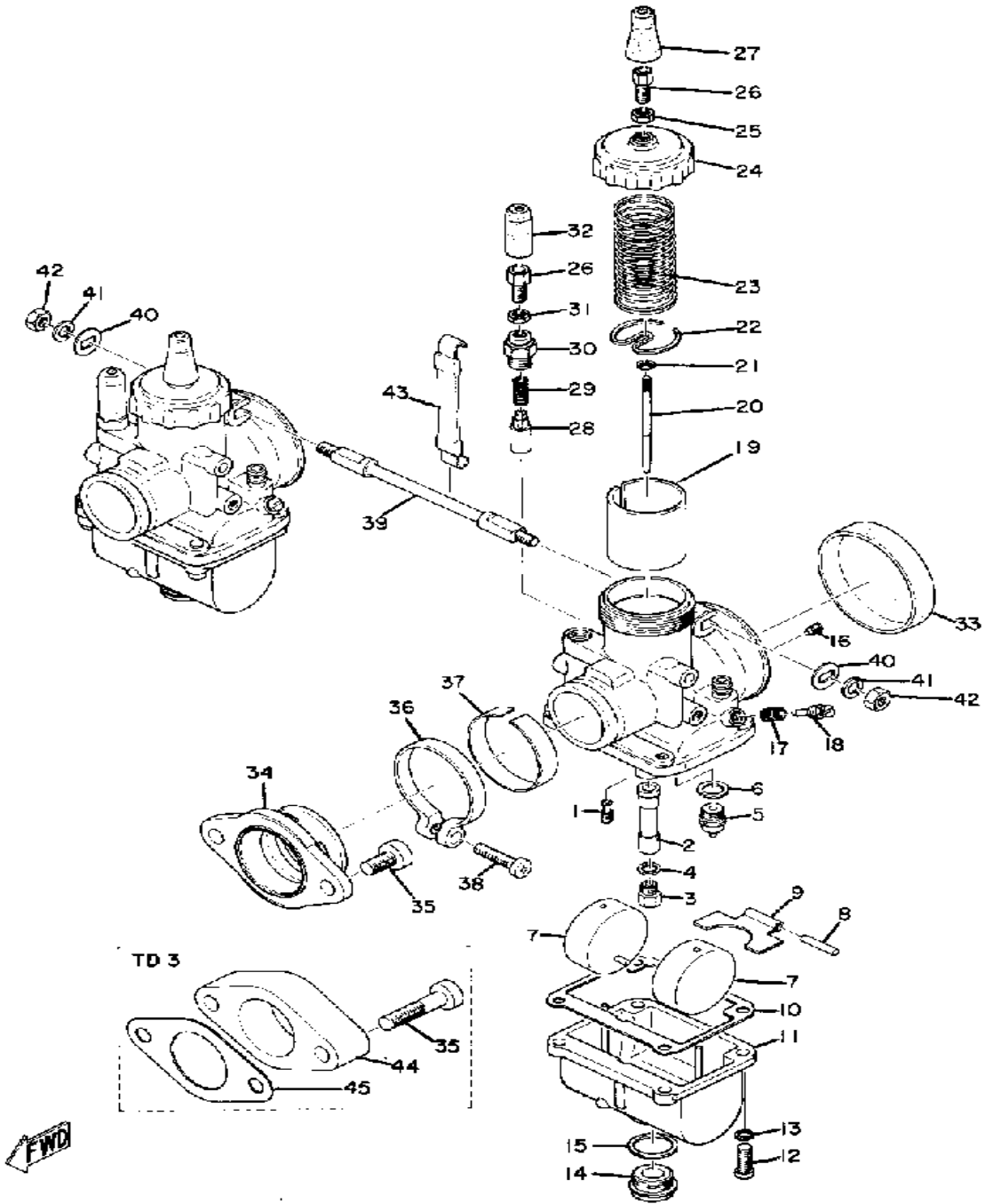
Ref. No.	Part Number	Description	Qty	Remarks
1	328-18128-00-00	BRACKET	1	
2	(328-18151-00-00)	LEVER, SHIFT 3	2	
3	90508-08007-00	SPRING, TORSION (214-18123-00)	1	
4	99080-07600-00	CIRCLIP (E)	1	
5	214-18178-00-00	ROLLER, SHIFT LEVER	1	
6	90149-06017-00	SCREW, SPEC'L SHAPE (214-18186-00)	1	
7	95380-06600-00	NUT	1	
8	92995-06100-00	WASHER, SPRING	1	
9	90508-32055-00	SPRING, TORSION	1	
10	278-18127-00-00	STOPPER, SCREW	1	
11	90215-08015-00	WASHER, LOCK (214-18139-00)	1	
12	(328-18111-00-93)	PEDAL, SHIFT	1	
13	240-18113-00-00	COVER, SHIFT PEDAL	1	
14	97011-06020-00	BOLT	1	
15	170-18132-00-00	SEAL, SHIFT SHAFT	1	
16	278-18131-00-00	BOOT, SEALING	1	
17	99006-10600-00	CIRCLIP	1	
18	90201-12575-00	WASHER, PLATE	1	
19	93102-12321-00	OIL SEAL, SD-TYPE	1	
20	278-18101-01-00	SHIFT SHAFT ASSEMBLY 1 ..	1	

TACHOMETER GEAR



Ref. No.	Part Number	Description	Qty	Remarks
1	(278-17861-00-00)	AXLE, DRIVE GEAR	1	
2	(280-17851-00-00)	GEAR, PRIMARY	1	
	278-17851-00-00	GEAR, PRIMARY (20T)	1	
3	93603-22028-00	PIN, DOWEL	1	
4	90201-105J4-00	WASHER, PLATE (90201-106H1)	1	
5	99001-08600-00	CIRCLIP	1	
6	(278-17831-00-00)	GEAR, DRIVE	1	
7	99006-10600-00	CIRCLIP	2	
8	(278-17812-00-00)	STOPPER	1	
9	98701-05012-00	SCREW, FLAT HEAD	2	
10	353-17810-00-00	HOUSING ASSEMBLY, TACH (214-17811-01)	1	
11	93210-13016-00	O-RING	1	
12	214-17841-01-00	GEAR, DRIVEN	1	
13	93210-07100-00	O-RING	1	
14	214-17847-00-00	SHIM (7.5-10.8-0.4)	1	
15	90383-10005-00	BUSH, FORMED (214-17815-00) 01	1	
16	5U7-17812-00-00	STOPPER	1	
17	97011-06010-00	BOLT	1	
18	92995-06100-00	WASHER, SPRING	1	
19	90381-08002-00	BUSHING (214-17843-00)	2	
20	(90380-14040-00)	BUSH, SOLID	1	

CARBURETOR

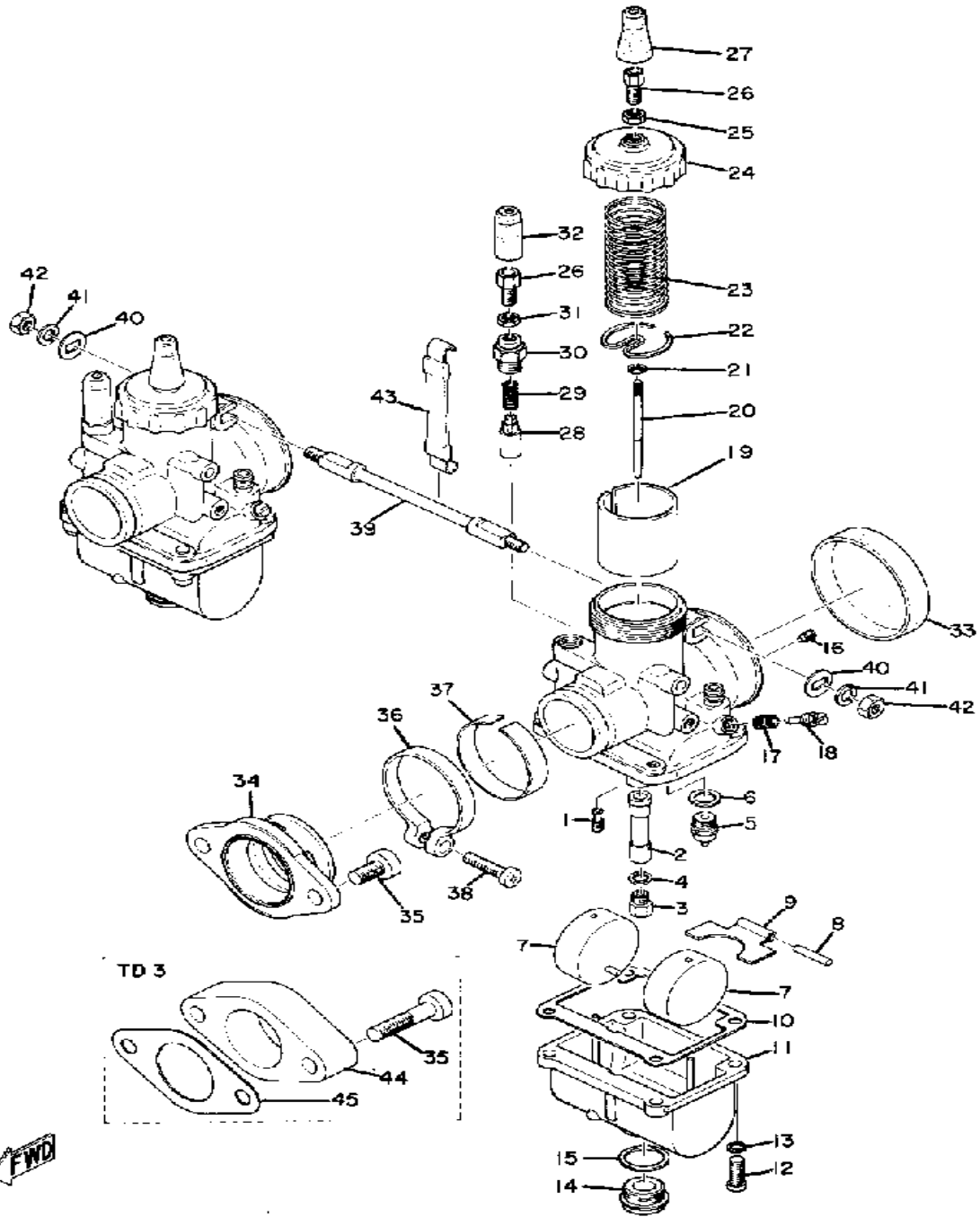


Ref. No.	Part Number	Description	Qty	Remarks
1	193-14142-70-00	. JET, PILOT (# 70)	2	
2	239-14141-32-00	. NOZZLE, MAIN (0-2)	2	
3	137-14143-68-00	. JET, MAIN (#340)	2	U.RU.RU.RU.R
	137-14143-70-00	. JET, MAIN (#350)	2	U.RU.RU.RU.R
	137-14143-72-00	. JET, MAIN (#360)	2	U.RU.RU.RU.RSTD(TR3/TZ350)
	137-14143-74-00	. JET, MAIN (#370)	2	U.RU.RU.RU.RSTD(TD3/TZ250)
	137-14143-76-00	. JET, MAIN (#380)	2	U.RU.RU.RU.R
	137-14143-78-00	. JET, MAIN (#390)	2	U.RU.RU.RU.R
4	137-14153-00-00	. WASHER, MAIN JET	2	
5	24X-14107-33-00	. NEEDLE VALVE SET (#3.3)	2	
6	239-14195-00-00	. WASHER, NEEDLE VALVE	2	
7	(239-14185-00-00)	FLOAT	4	
8	127-14186-00-00	. PIN, FLOAT	2	
9	(239-14187-00-00)	ARM, FLOAT	2	
10	(239-14184-00-00)	GASKET, FLOAT CHMBR	2	
11	(239-14181-00-00)	BODY, FLOAT CHMBR 1	2	
12	98580-05016-00	. SCREW, PAN HEAD (98501-05016)	8	
13	92990-05100-00	. WASHER, SPRING	8	
14	(239-14115-00-00)	PLUG, SCREW	2	
15	239-14117-00-00	. WASHER, PLUG SCREWS	2	
16	239-14172-20-00	. PILOT JET, AIR (2.0)	2	
17	127-14134-00-00	. SPRING, AIR ADJUSTING	2	
18	23X-14104-00-00	. AIR SCREW SET	2	
19	(239-14112-30-00)	VALVE, THROTTLE 1	2	
20	239-14116-09-00	. NEEDLE	2	
21	164-14137-00-00	. CLIP	2	
22	239-14136-00-00	. SEAT, SPRING	2	

SEE GRID B-7 FOR TZ250/TZ350 CARBURETOR SERVICE DATA

CONTINUED ON NEXT FRAME ➤

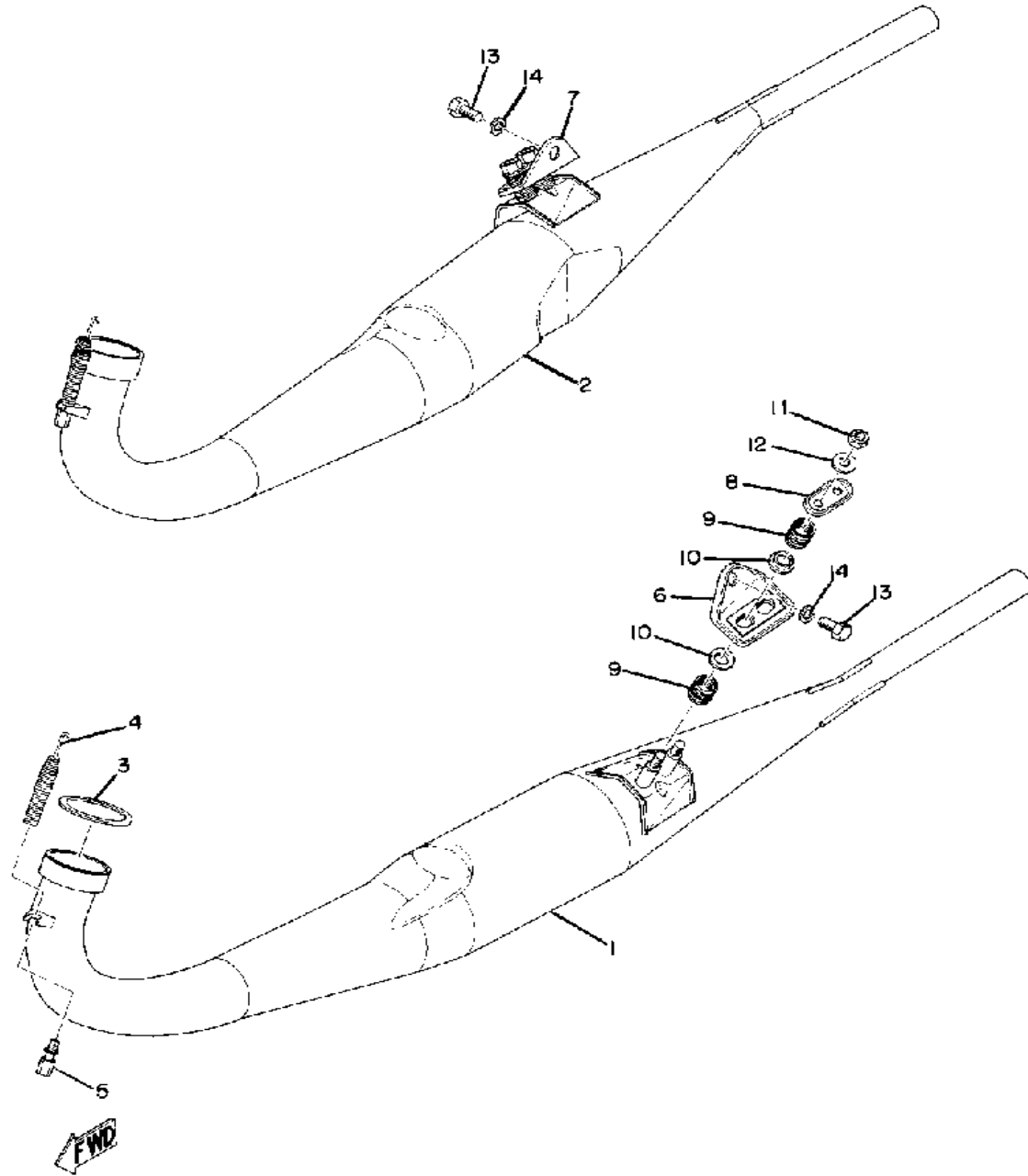
CARBURETOR



Ref. No.	Part Number	Description	Qty	Remarks
23	239-14131-00-00	. SPRING, THRTL VALVE	2	
24	239-14158-00-00	. TOP, MIXING CHAMBER	2	
25	802-14161-00-00	. NUT, CABLE ADJUSTING	2	
26	12G-14106-00-00	. CABLE ADJUST SCREW SET	4	
27	802-14169-00-00	. CAP	2	
28	58E-14171-00-00	. PLUNGER, STARTER	2	
29	127-14135-00-00	. SPRING, PLUNGER	2	
30	127-14174-00-00	. CAP, PLUNGER	2	
31	127-14161-00-00	. NUT, CABLE ADJUSTING	2	
32	(174-14169-01-00)	CAP	2	
33	240-14157-00-00	COVER, MIXING	2	
34	328-13555-01-00	MANIFOLD, INTAKE	2	
35	91316-08016-00	BOLT, SOCKET HEAD	4	
	91316-08035-00	BOLT, SOCKET HEAD	4	
36	(90460-45056-00)	CLAMP, HOSE	2	
37	(240-13576-00-00)	SPACER	2	
38	98511-06025-00	SCREW PAN HEAD (92501-06025)	2	
39	(240-14486-00-00)	SCREW, ROD	1	
40	(90209-10033-00)	WASHER, SPEC'L SHAP	2	
41	92990-06200-00	WASHER	2	
42	95380-06600-00	NUT	2	
43	(294-14491-00-00)	HOLDER	1	
44	329-13565-01-00	JOINT, CARBURETOR	2	
45	329-13556-00-00	GASKET, MANIFOLD	2	
-1	(328-14101-01-00)	CARBURETOR ASSEMBLY 1	2	
	(329-14101-01-00)	CARBURETOR ASSEMBLY 1	2	

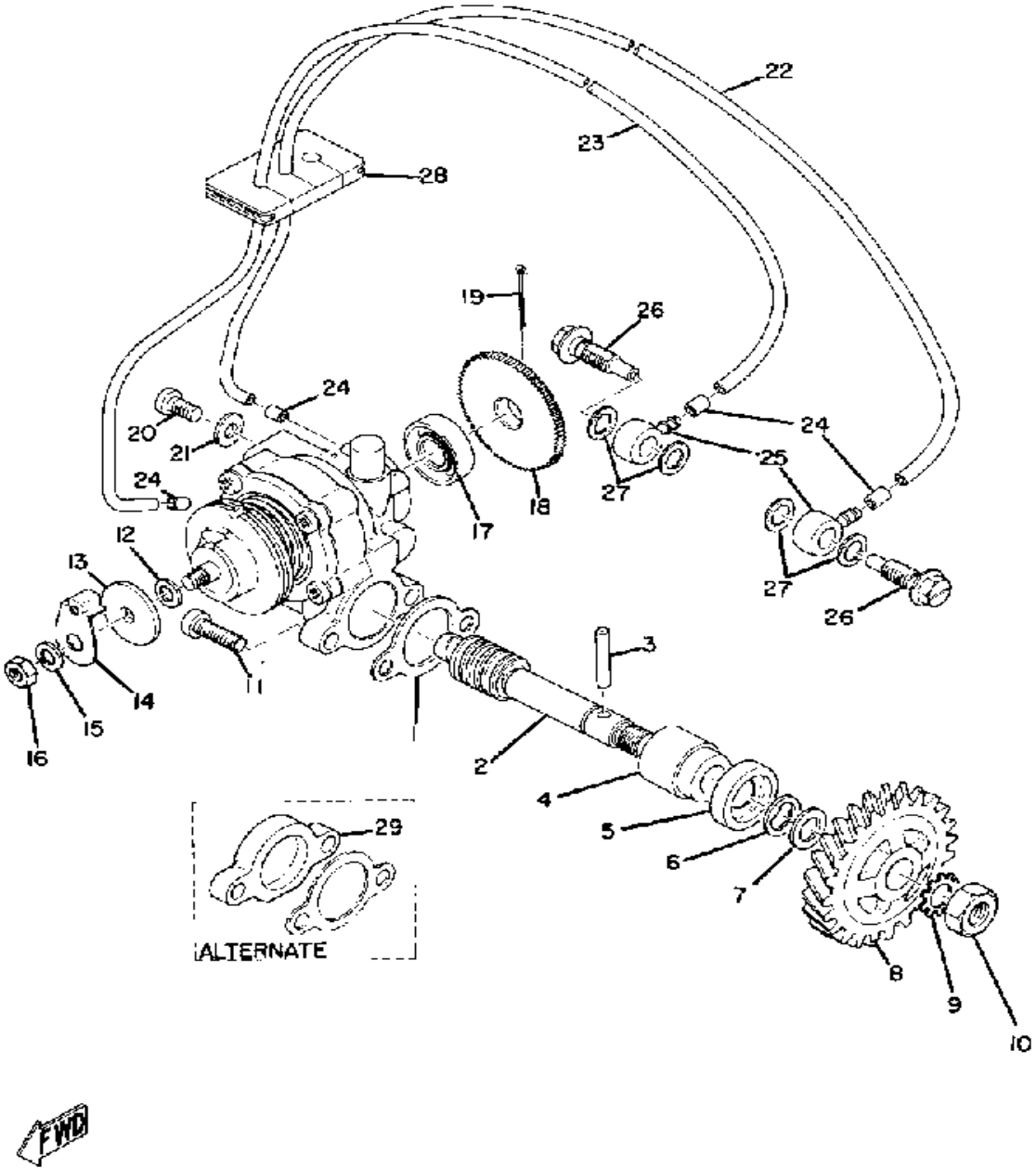
SEE GRID B-7 FOR TZ250/TZ350 CARBURETOR SERVICE DATA

EXHAUST



Ref. No.	Part Number	Description	Qty	Remarks
1	(328-14610-01-00)	EXHAUST PIPE ASSEMBLY L .	1	
	(329-14610-00-00)	EXHAUST PIPE ASSEMBLY L .	1	
	(329-14610-01-00)	EXHAUST PIPE ASSEMBLY L .	1	
	(99999-01189-00)	EXHAUST ASSEMBLY LH	1	
2	(328-14620-01-00)	EXHAUST PIPE ASSEMBLY R .	1	
	(329-14620-00-00)	EXHAUST PIPE ASSEMBLY R .	1	
	(329-14620-01-00)	EXHAUST PIPE ASSEMBLY R .	1	
	(99999-01190-00)	EXHAUST ASSEMBLY RH	1	
3	248-14623-00-00	GASKET, EXST PIPE	2	
	93210-48208-00	O-RING	2	
4	90507-20012-00	SPRING, TENSION (145-14683-00)	2	
5	(90109-08304-00)	BOLT	2	
	90109-08305-00	BOLT (322-14684-10)	2	
6	240-14772-01-33	STAY, MUFFLER 2	1	
7	(240-14782-01-33)	STAY 5	1	
8	(240-14793-00-00)	PLATE, MUFFLER	2	
9	(90501-16106-00)	SPRING, COMPRESSION	8	
10	(90560-12111-00)	SPACER	8	
11	95611-08100-00	NUT, U	4	
12	92990-08200-00	WASHER, PLAIN	4	
13	(95201-08015-00)	BOLT, FLAT HD.DRILL	2	
	(95201-08018-00)	BOLT, FLAT HD.DRILL	2	
14	92990-08100-00	WASHER	2	

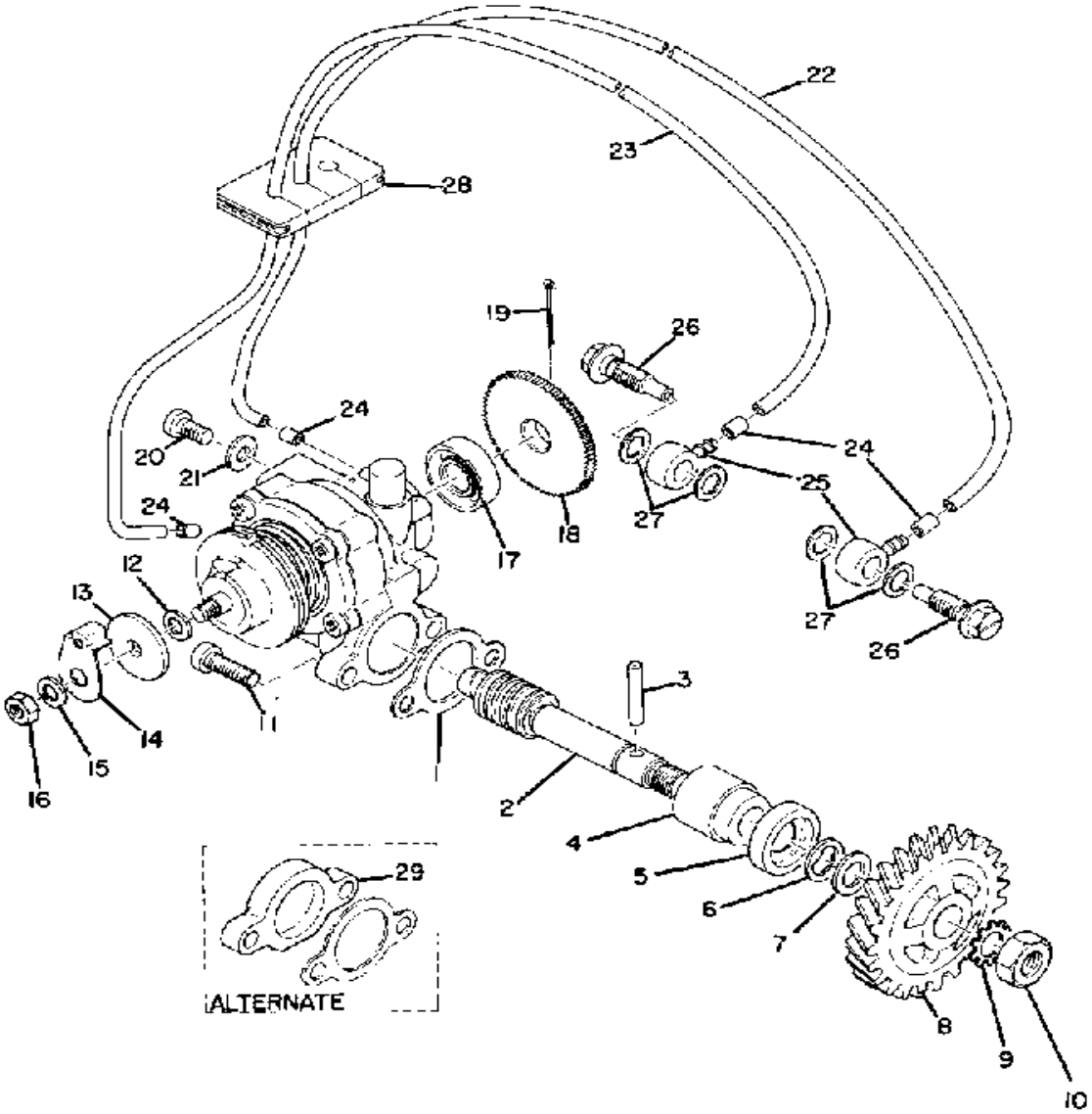
OIL PUMP



Ref. No.	Part Number	Description	Qty	Remarks
1	3MT-13116-00-00	GASKET, PUMP CASE (8Y0-13116-00)	1	
2	275-13175-01-00	SHAFT, WORM	1	
3	93603-22028-00	PIN, DOWEL	1	
4	1E7-13176-00-00	METAL, WRM SHAF OTR	1	
5	93101-10002-00	OIL SEAL	1	
6	99001-08600-00	CIRCLIP	1	
7	90201-105J4-00	WASHER, PLATE (90201-106H1)	1	
8	(328-13178-00-00)	GEAR, PUMP DRIVE	1	
	(329-13178-00-00)	GEAR, PUMP DRIVE	1	
9	92901-08400-00	WASHER, EX.TOOTH	1	
10	95303-08700-00	NUT	1	
11	98580-05016-00	SCREW, PAN HEAD (98501-05016)	2	
12	137-13137-00-10	. SHIM (1.0T)	1	
13	137-13138-01-00	. PLATE, ADJUSTING	1	
14	(402-13146-00-00)	COVER, AJST PULLEY	1	
15	92990-05100-00	. WASHER, SPRING	1	
16	95380-05600-00	. NUT	1	
17	93101-10090-00	. OIL SEAL	1	
18	(137-13128-00-00)	PLATE, STARTER	1	
19	91401-12018-00	. PIN, COTTER	1	
20	98901-04008-00	. SCREW, BIND	1	
21	90430-04004-00	. GASKET	1	
22	90445-05034-00	. HOSE	1	
23	90445-05301-00	. HOSE (214-13161-01)	1	
24	90468-02033-00	. CLIP	4	
25	214-13162-01-00	. BANJO, DLVRY PIPE	2	
26	90401-06001-00	. BOLT, UNION	2	

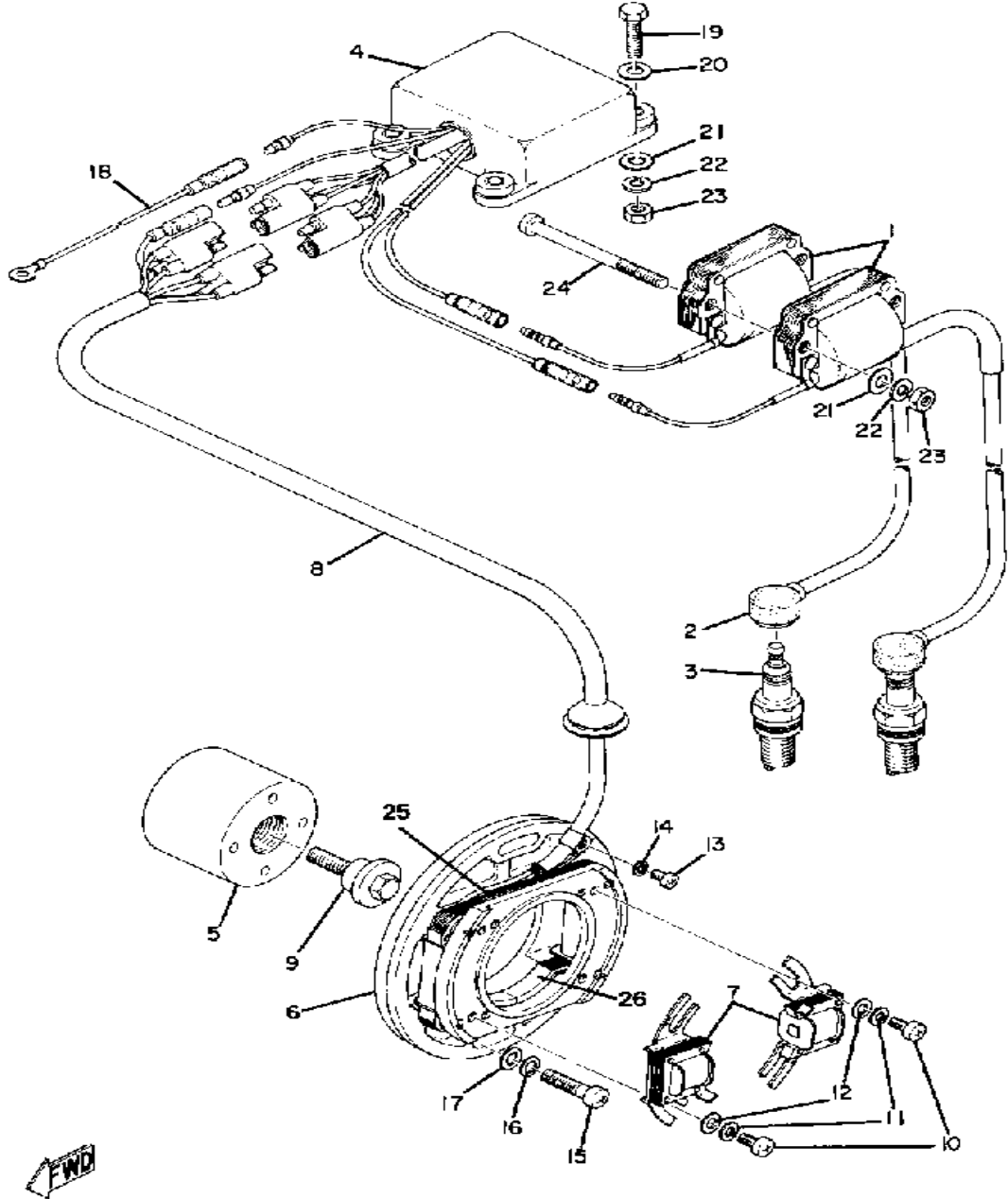
CONTINUED ON NEXT FRAME ►

OIL PUMP



Ref. No.	Part Number	Description	Qty	Remarks
27	90430-06011-00	. GASKET	4	
28	278-13174-00-00	HOLDER, OIL PIPE	1	
29	161-15426-00-00	COVER, OIL PUMP R	1	
-1	(328-13101-00-00)	OIL PUMP ASSEMBLY	1	

MAGNETO - ELECTRICAL

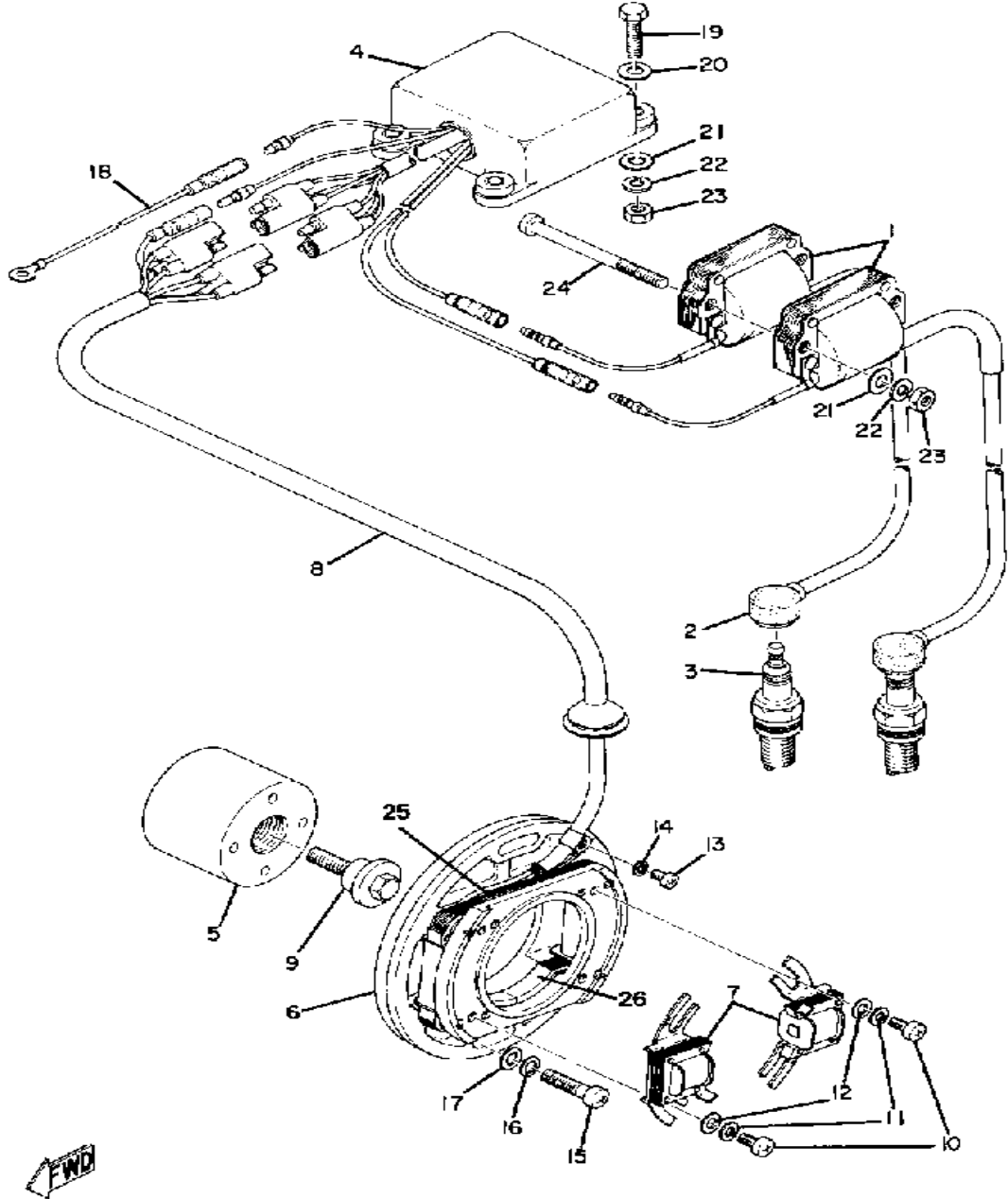


IDENTIFICATION: The low speed charge coil (charge coil, 1) is attached to the brown wire in the CDI stator assembly. It has more windings and is larger than the high speed coil (charge coil, 2). Charge coil, 2 is attached to the red wire in the stator assembly.

Ref. No.	Part Number	Description	Qty	Remarks
1	(400-82310-30-00)	IGNITION COIL ASSEMBLY ...	2	
2	294-82370-00-00	PLUG CAP ASSEMBLY	2	
3	(94701-00017-00)	SPARK PLUG B10EN	2	
4	328-85540-10-00	CDI UNIT ASSEMBLY	1	
5	(328-85550-10-00)	ROTOR ASSEMBLY	1	
6	(328-85510-11-00)	STATOR ASSEMBLY	1	
7	(322-85543-10-00)	COIL PULSER	1	
8	(328-85515-10-00)	LEAD WIRE ASSEMBLY	1	
9	328-85559-10-00	. ROTOR	1	
10	98580-05010-00	. SCREW, PAN HEAD	4	
11	92990-05100-00	. WASHER, SPRING	4	
12	92990-05200-00	. WASHER, PLAIN	4	
13	98580-04008-00	. SCREW, PAN HEAD	1	
14	92901-04100-00	. WASHER, SPRING	1	
15	98511-06025-00	. SCREW PAN HEAD (92501-06025)	2	
	98580-06030-00	. SCREW PAN HEAD	2	
16	92995-06100-00	. WASHER, SPRING	2	
17	92990-06200-00	. WASHER	2	
18	558-82116-00-00	WIRE, MINUS LEAD	1	
19	97011-06025-00	BOLT (97001-06025)	4	
20	90201-06M08-00	WASHER, PLATE	4	
21	92995-06100-00	WASHER, SPRING	6	
22	92995-06100-00	WASHER, SPRING	6	
23	95380-06600-00	NUT	6	
24	98501-06070-00	SCREW, PAN HEAD	2	
	98501-06075-00	SCREW, PAN HEAD	2	
25	431-85566-10-00	COIL, CHARGE 1	1	
26	431-85567-10-00	COIL, CHARGE 2	1	

CONTINUED ON NEXT FRAME ►

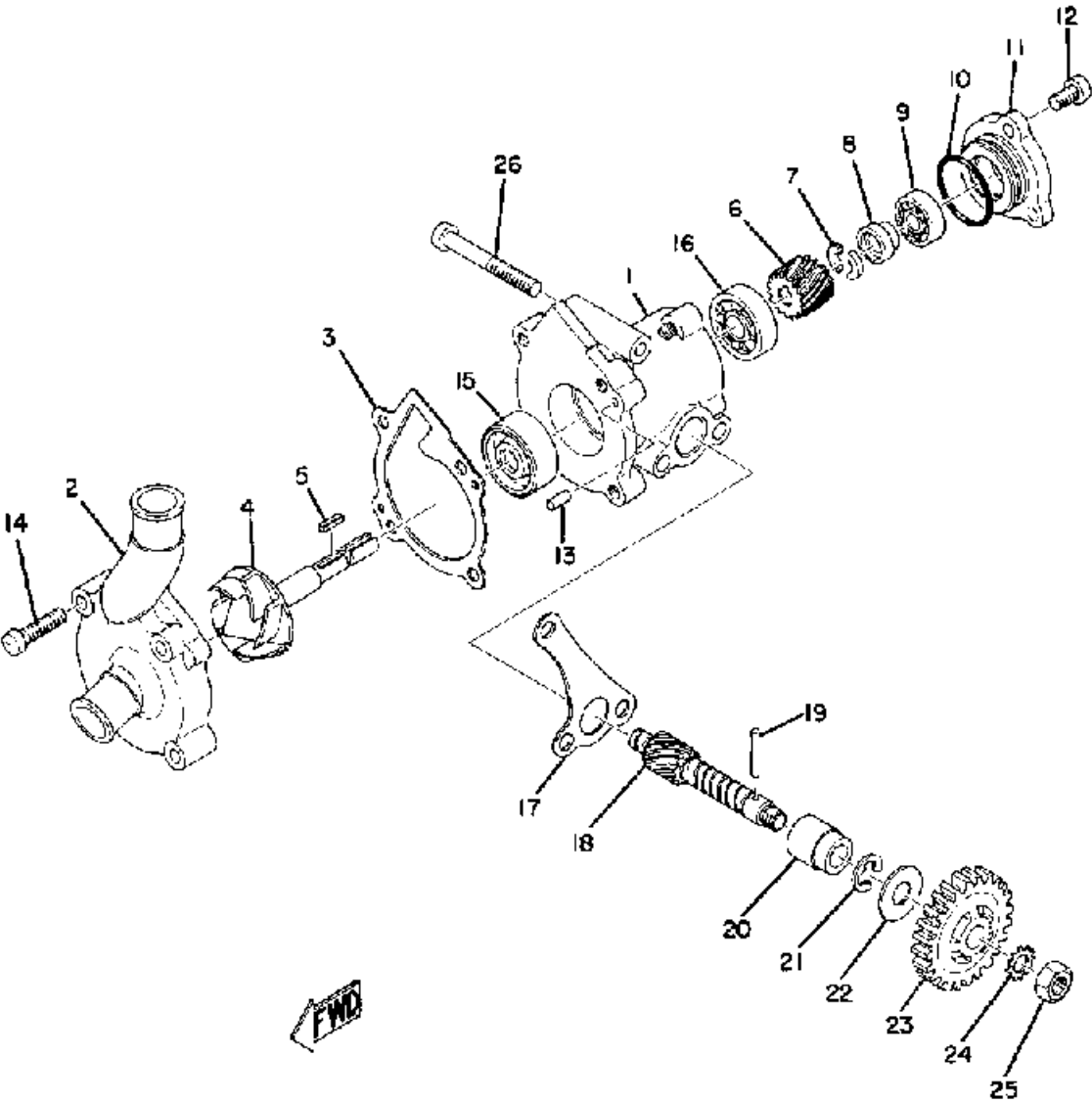
MAGNETO - ELECTRICAL



Ref. No.	Part Number	Description	Qty	Remarks
-1	(328-85500-11-00)	CDI MAGNETO ASSEMBLY ...	1	

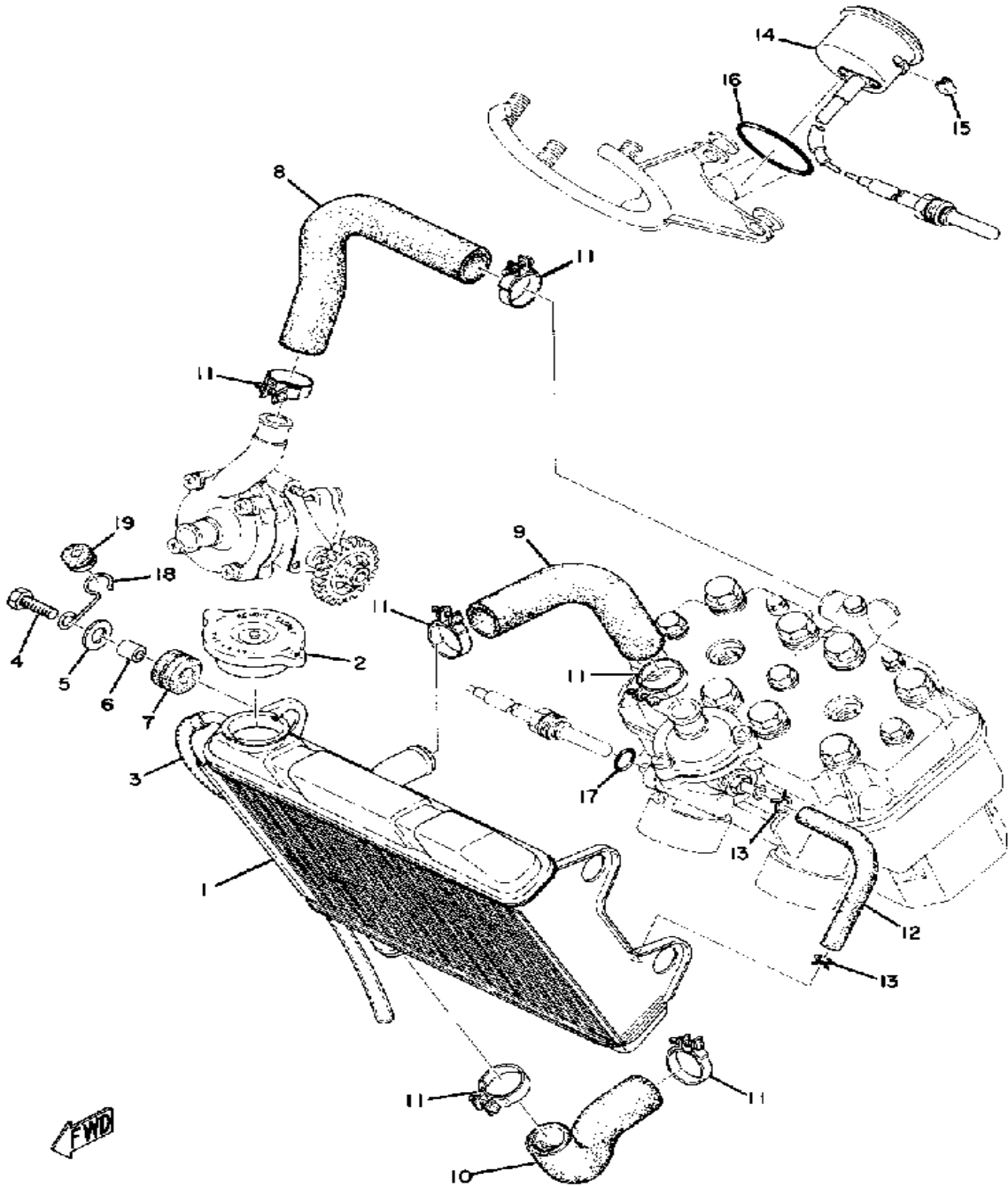
IDENTIFICATION: The low speed charge coil (charge coil, 1) is attached to the brown wire in the CDI stator assembly. It has more windings and is larger than the high speed coil (charge coil, 2). Charge coil, 2 is attached to the red wire in the stator assembly.

WATER PUMP



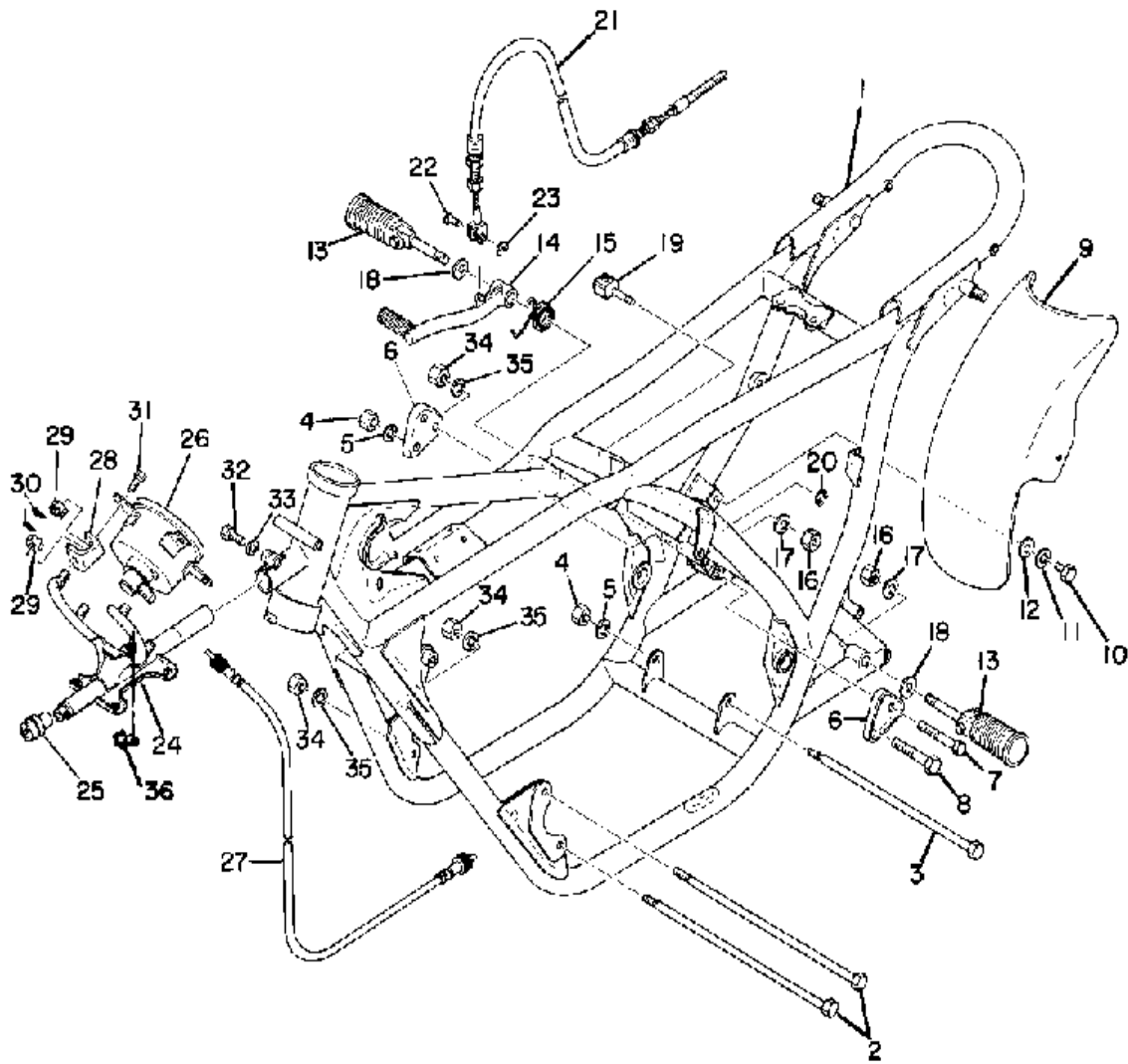
Ref. No.	Part Number	Description	Qty	Remarks
2	(383-12422-00-00)	COVER, HOUSING	1	
3	383-12428-00-00	. GASKET, HSNG CVR 2	1	
4	(383-12450-00-00)	IMPELLER SHAFT ASSEMBLY	1	
5	(90282-03012-00)	KEY, STRAIGHT	1	
6	(383-12459-00-00)	GEAR, IMPELLER SHAF	1	
7	(383-12424-00-00)	PLATE, CRTRGE INNER	2	
8	(383-12423-00-00)	CARTRIDGE, WTR PUMP	1	
9	93300-60814-00	. BEARING (608M4ML01)	1	
10	93210-27ME3-00	. O-RING	1	
11	(383-12432-00-00)	CAP, HOUSING	1	
12	98516-06012-00	. SCREW, PAN HEAD	3	
13	93604-10011-00	. PIN, DOWEL	2	
14	98506-06025-00	. SCREW, PAN HEAD	4	
15	93103-10168-00	. OIL SEAL	1	
16	93306-20005-00	. BEARING (B6200)	1	
17	383-12427-00-00	GASKET, HSNG CVR 1	1	
18	(383-12436-00-00)	GEAR, DRIVE	1	
19	93603-22028-00	PIN, DOWEL	1	
20	1E7-13176-00-00	METAL, WRM SHAF OTR	1	
21	99001-08600-00	CIRCLIP	1	
22	90201-105J4-00	WASHER, PLATE (90201-106H1)	1	
23	(328-13178-00-00)	GEAR, PUMP DRIVE	1	
	(329-13178-00-00)	GEAR, PUMP DRIVE	1	
24	92901-08400-00	WASHER, EX.TOOTH	1	
25	95303-08700-00	NUT	1	
26	98506-06050-00	SCREW, PAN HEAD	3	
-1	(383-12420-00-00)	WATER PUMP ASSEMBLY	1	

RADIATOR



Ref. No.	Part Number	Description	Qty	Remarks
2	11H-12462-00-00	. CAP, RADIATOR	1	
3	(383-12463-00-00)	PIPE, BREATHER	1	
4	(95201-08025-00)	BOLT, FLAT HD.DRILL	4	
5	(90201-09368-00)	WASHER, PLATE	4	
6	90387-08060-00	COLLAR	4	
7	90480-20131-00	GROMMET	4	
8	(383-12481-00-00)	PIPE 1	1	
9	(383-12482-00-00)	PIPE 2	1	
10	(383-12484-00-00)	PIPE 4	1	
11	90460-38292-00	CLAMP, HOSE	6	
12	(383-12483-00-00)	PIPE 3	1	
13	90460-11002-00	CLAMP, HOSE	2	
14	(409-83590-01-00)	WATER TEMP METER	1	
15	90468-10001-00	CLIP	2	
16	93210-56077-00	O-RING	1	
17	93210-10118-00	O-RING	1	
18	(90462-20002-00)	CLAMP	1	
19	90480-10178-00	GROMMET	1	
-1	(383-12460-01-00)	RADIATOR ASSEMBLY	1	

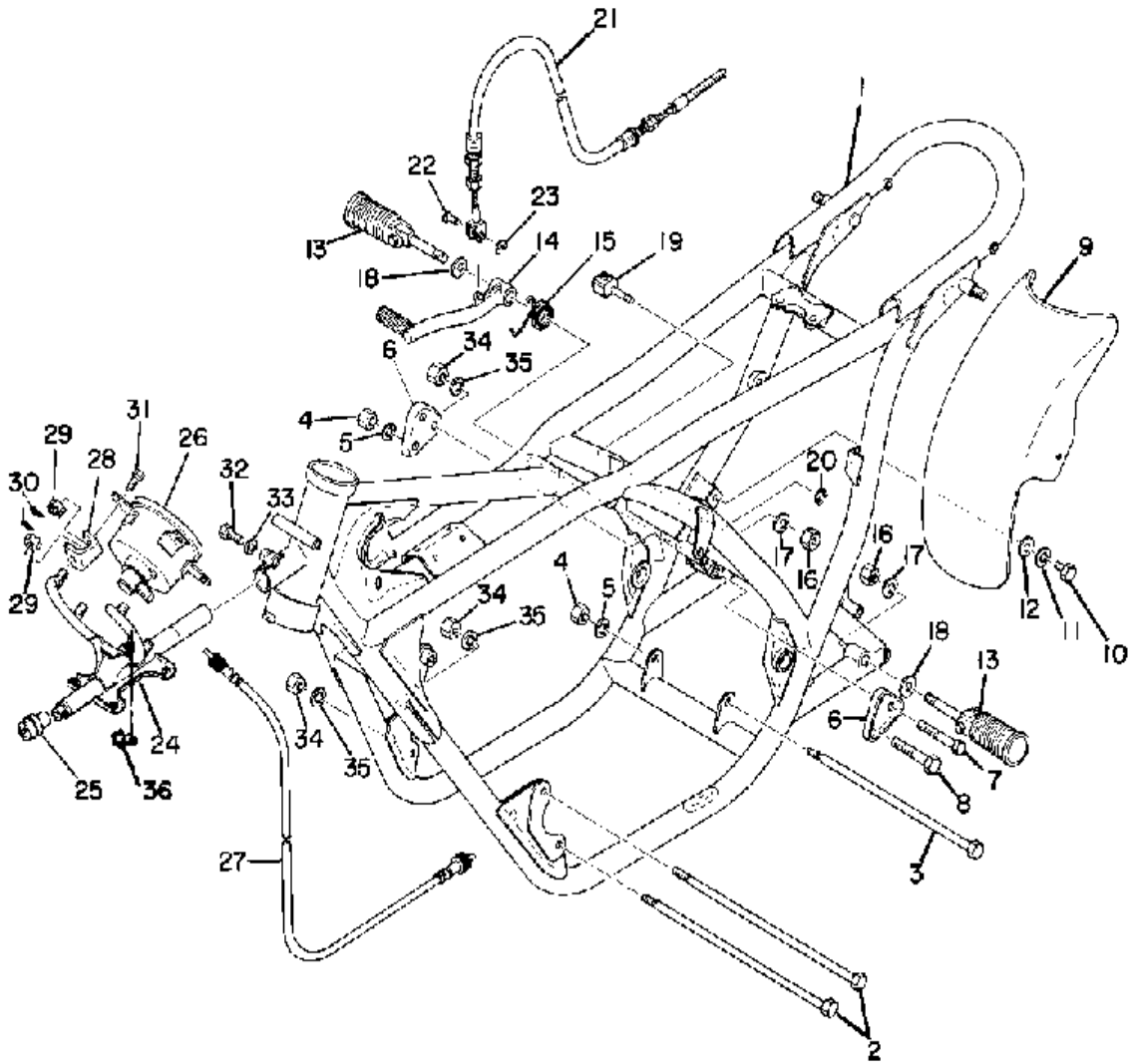
FRAME



Ref. No.	Part Number	Description	Qty	Remarks
1	(328-21110-00-33)	FRAME	1	
	(383-21110-01-33)	FRAME	1	
2	90105-08033-00	BOLT, WASHER BASED	2	
3	(90105-10019-00)	BOLT, WASHER BASED	1	
4	95303-10600-00	NUT (95301-10600)	2	
5	92990-10100-00	LOCKWASHER	2	
6	(248-21315-00-00)	STAY, ENGINE 2	2	
7	97313-08055-00	BOLT, HEXAGON	2	
8	97313-10055-00	BOLT, HEXAGON (97322-10055)	1	
9	(328-21610-00-00)	FENDER, REAR	1	
10	98580-06012-00	SCREW, PAN HEAD	3	
11	92995-06100-00	WASHER, SPRING	3	
12	92990-06200-00	WASHER	3	
13	5F6-27410-10-00	FRT FOOTREST ASSEMBLY L	2	
14	(240-27211-00-91)	PEDAL, BRAKE	1	STD
	(240-27211-10-91)	PEDAL, BRAKE	1	ALTERNATE
15	(90508-23028-00)	SPRING, TORSION	1	ALTERNATE
	(90508-23029-00)	SPRING, TORSION	1	STD
16	95303-10600-00	NUT (95301-10600)	2	
17	92990-10100-00	LOCKWASHER	2	
18	92990-10200-00	WASHER, PLAIN	2	
19	(144-21161-00-00)	HOLDER, CABLE	1	
20	93430-04002-00	CIRCLIP	1	
21	(240-27351-00-00)	GUIDE, SIDE STAND	1	ALTERNATE
	(240-27351-10-00)	GUIDE, SIDE STAND	1	STD
22	(90249-06074-00)	PIN, SPEC'L SHAPE	1	
23	99009-06600-00	CIRCLIP	1	
24	(328-28356-00-33)	STAY 1	1	
	(383-28356-00-00)	STAY 1	1	

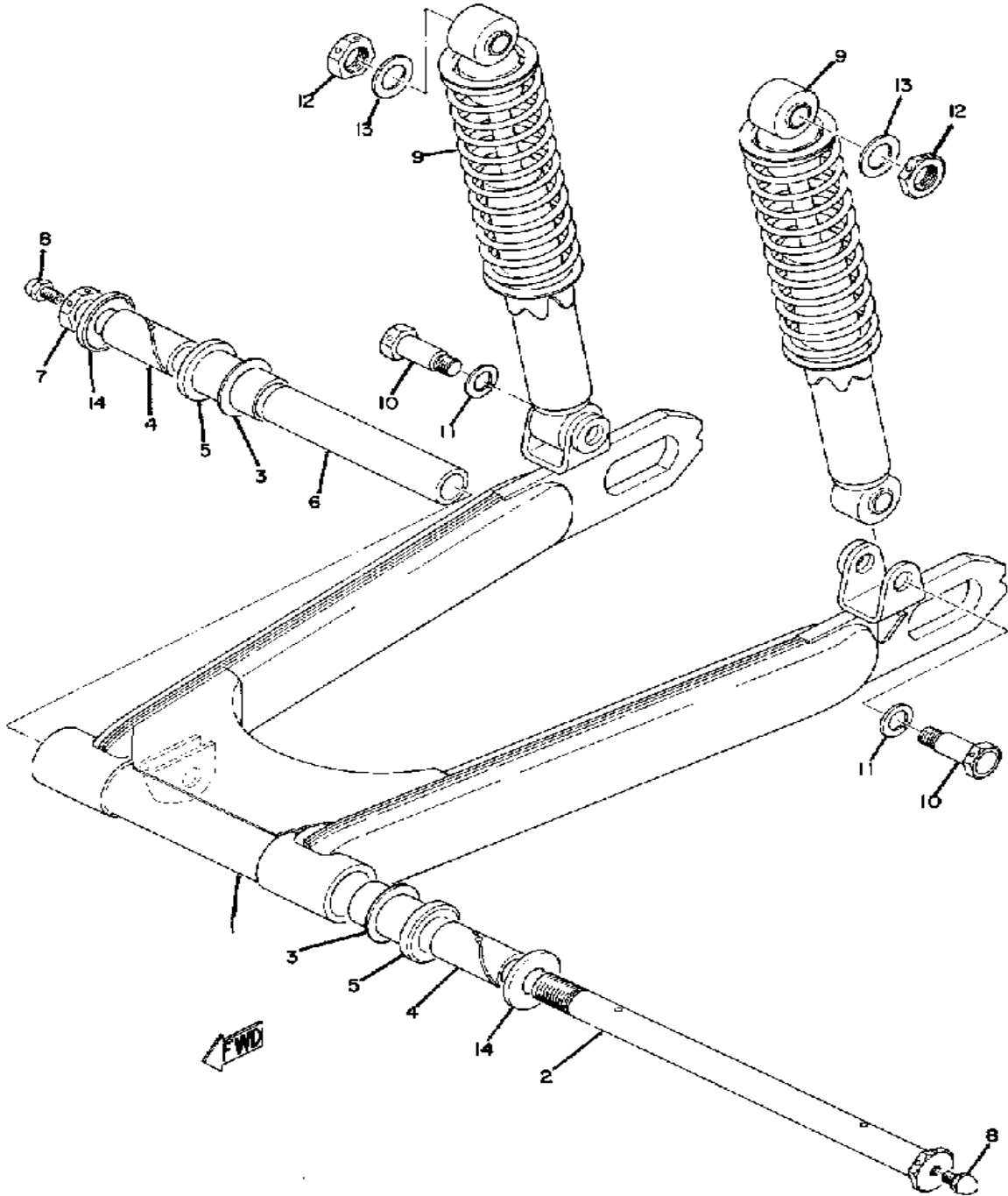
CONTINUED ON NEXT FRAME ►

FRAME



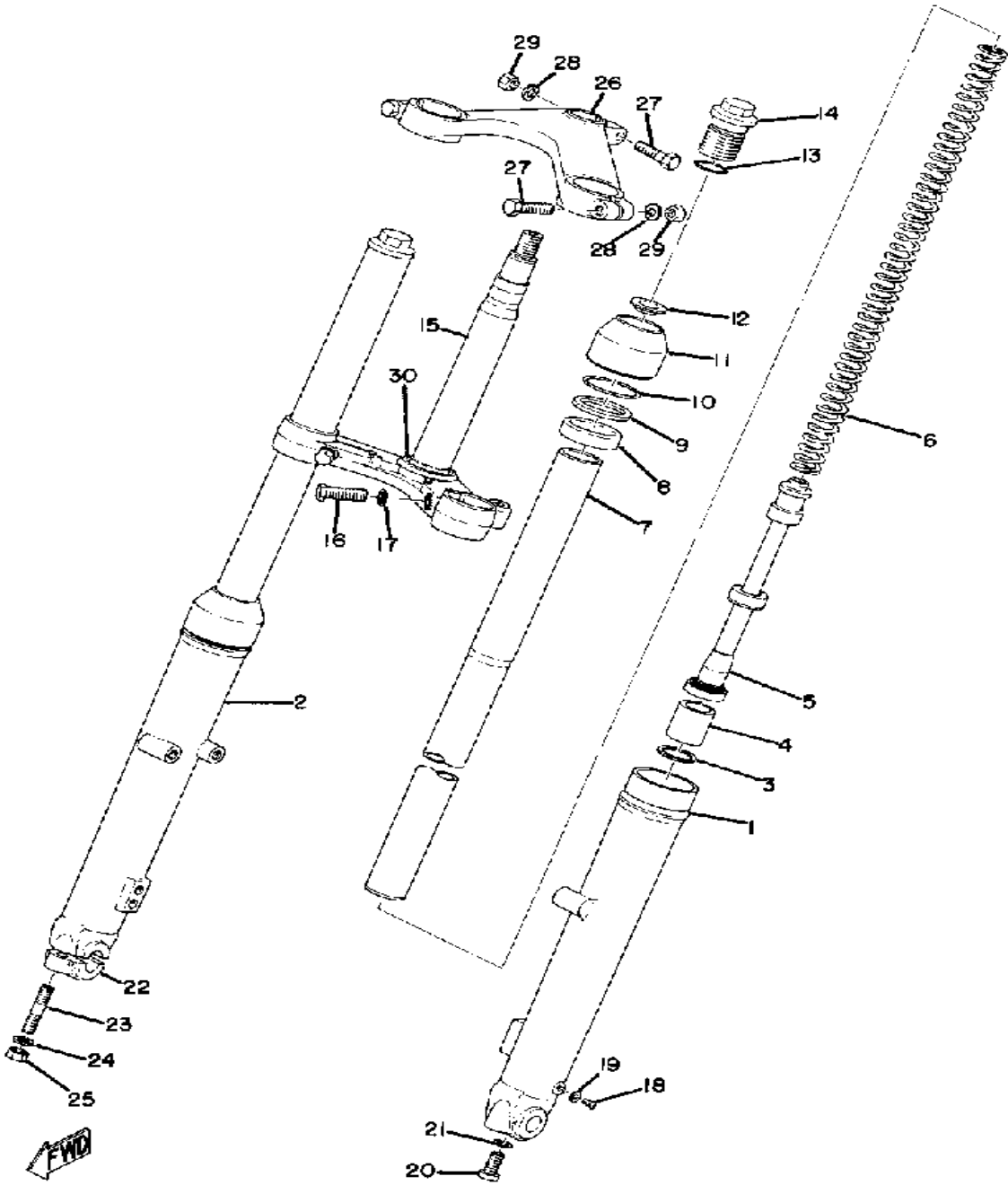
Ref. No.	Part Number	Description	Qty	Remarks
25	240-28371-00-33	DAMPER	1	
26	328-83540-00-00	TACHOMETER ASSEMBLY	1	
27	(328-83560-01-00)	TACHOMETER CABLE	1	
28	143-83543-00-00	DAMPER, BRACKET	4	
29	95301-05900-00	NUT, SLOTTED	8	
30	91401-10015-00	PIN, COTTER	8	
31	(90102-05012-00)	BOLT, WITH HOLE	4	
32	(90103-08013-00)	BOLT, HEAD W/HOLE	1	
33	92990-08100-00	WASHER	1	
	92990-08100-00	WASHER	2	
34	95333-08600-00	NUT, HEXAGON	4	
35	92990-08100-00	WASHER	4	
36	90462-10007-00	CLAMP	1	
13-1	240-27413-00-00	. COVER, FOOTREST	2	

REAR ARM - REAR CUSHION



Ref. No.	Part Number	Description	Qty	Remarks
1	(239-22110-00-33)	REAR ARM	1	
2	(240-22141-00-00)	SHAFT, PIVOT	1	
3	240-22127-00-00	SHIM	1	
4	90387-16226-00	COLLAR (150-22124-00)	2	
5	90386-22018-00	BUSH, SPEC'L NYLON (148-22123-00)	2	
6	90387-16128-00	COLLAR (150-22126-00)	1	
7	90179-16028-00	NUT, SPEC'L SHAPE	1	
8	93700-06M03-00	NIPPLE, GREASE	2	
9	(240-22210-20-00)	SHK/ABS ASSEMBLY, REAR .	2	
10	(90109-10212-00)	BOLT	2	
11	92990-10100-00	LOCKWASHER	2	
12	(90179-10119-00)	NUT, SPEC'L SHAPE	2	
13	92990-10200-00	WASHER, PLAIN	2	
14	1A0-22128-00-00	COVER, THRUST 1	2	

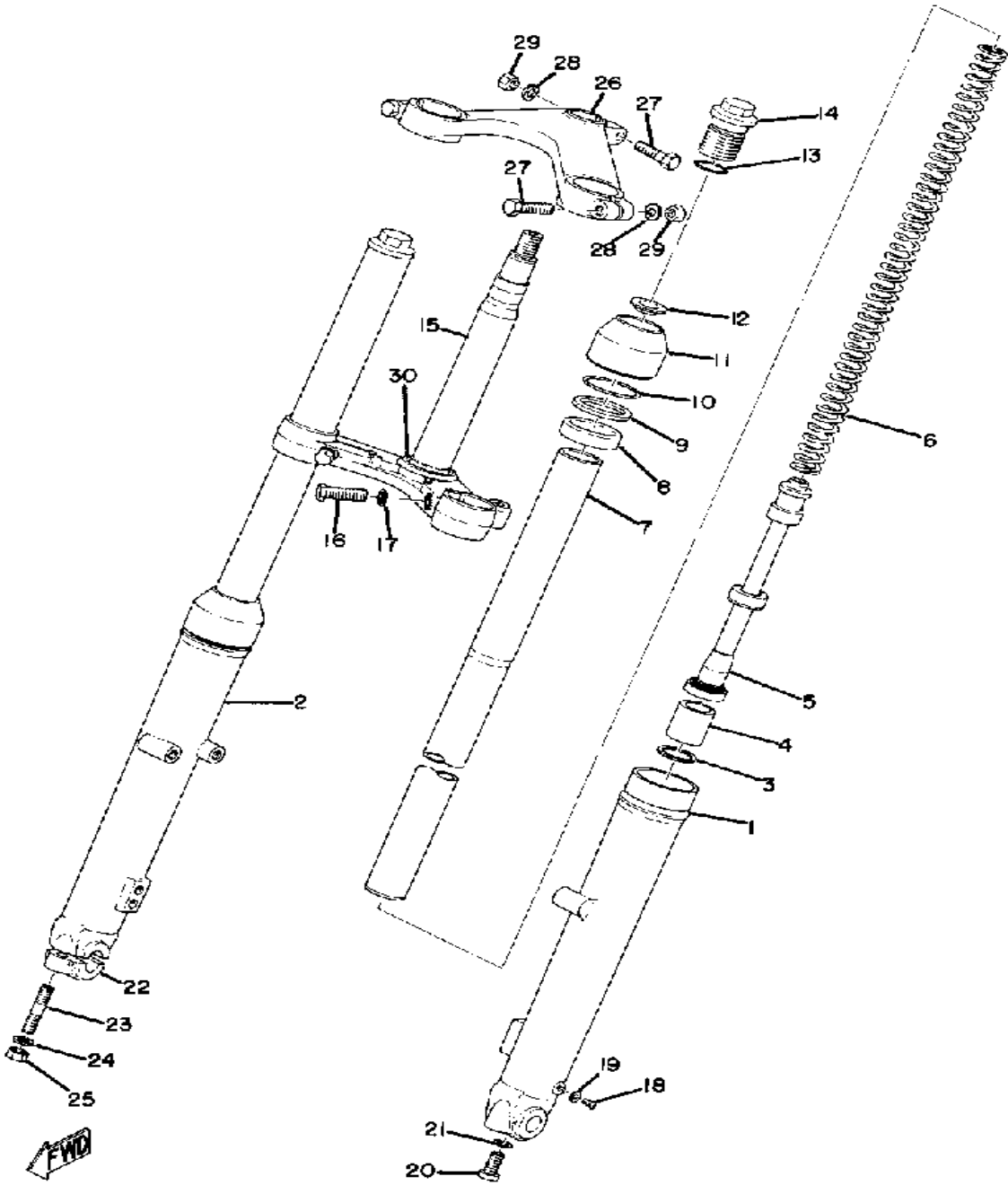
FRONT FORK



Ref. No.	Part Number	Description	Qty	Remarks
1	(328-23126-00-00)	TUBE, OUTER 1	1	
2	(278-23136-50-00)	TUBE, OUTER 2	1	
3	93450-30033-00	. CIRCLIP, INNER	2	
4	(278-23171-50-00)	PISTON, FRONT FORK	2	
5	(328-23170-00-00)	CYLINDER, FRTFRK	2	
6	(328-23141-00-00)	SPRING, FRONT FORK	2	
7	(328-23124-00-00)	TUBE, INNER 1	2	
8	278-23145-51-00	. OIL SEAL	2	
9	214-23146-00-00	. WASHER, OIL SEAL	2	
10	214-23156-00-00	. CLIP, OIL SEAL	2	
11	292-23144-00-00	. SEAL, DUST	2	
12	278-23142-50-00	. SEAT, SPRING UPPER	2	
13	214-23114-00-00	. GASKET	2	
14	(291-23111-60-00)	BOLT, CAP	2	
15	(328-23340-00-33)	UNDER BRACKET	1	
16	5J0-23346-00-00	. BOLT 1	2	
17	92990-10100-00	. LOCKWASHER	2	
18	98580-04008-00	. SCREW, PAN HEAD	2	
19	122-23129-00-00	. GASKET, DRAIN PLUG	2	
20	278-23181-50-00	. BOLT, HEXAGON SOCKET HEAD	2	
21	509-23158-L0-00	. GASKET	2	
22	(278-23167-50-00)	HOLDER, AXLE	1	
23	90116-08261-00	. BOLT, STUD	2	
24	92990-08100-00	. WASHER	2	
25	95333-08600-00	. NUT, HEXAGON	2	
26	(240-23435-00-00)	CROWN, HANDLE	1	
27	97313-08040-00	. BOLT, HEXAGON (97322-08040)	3	

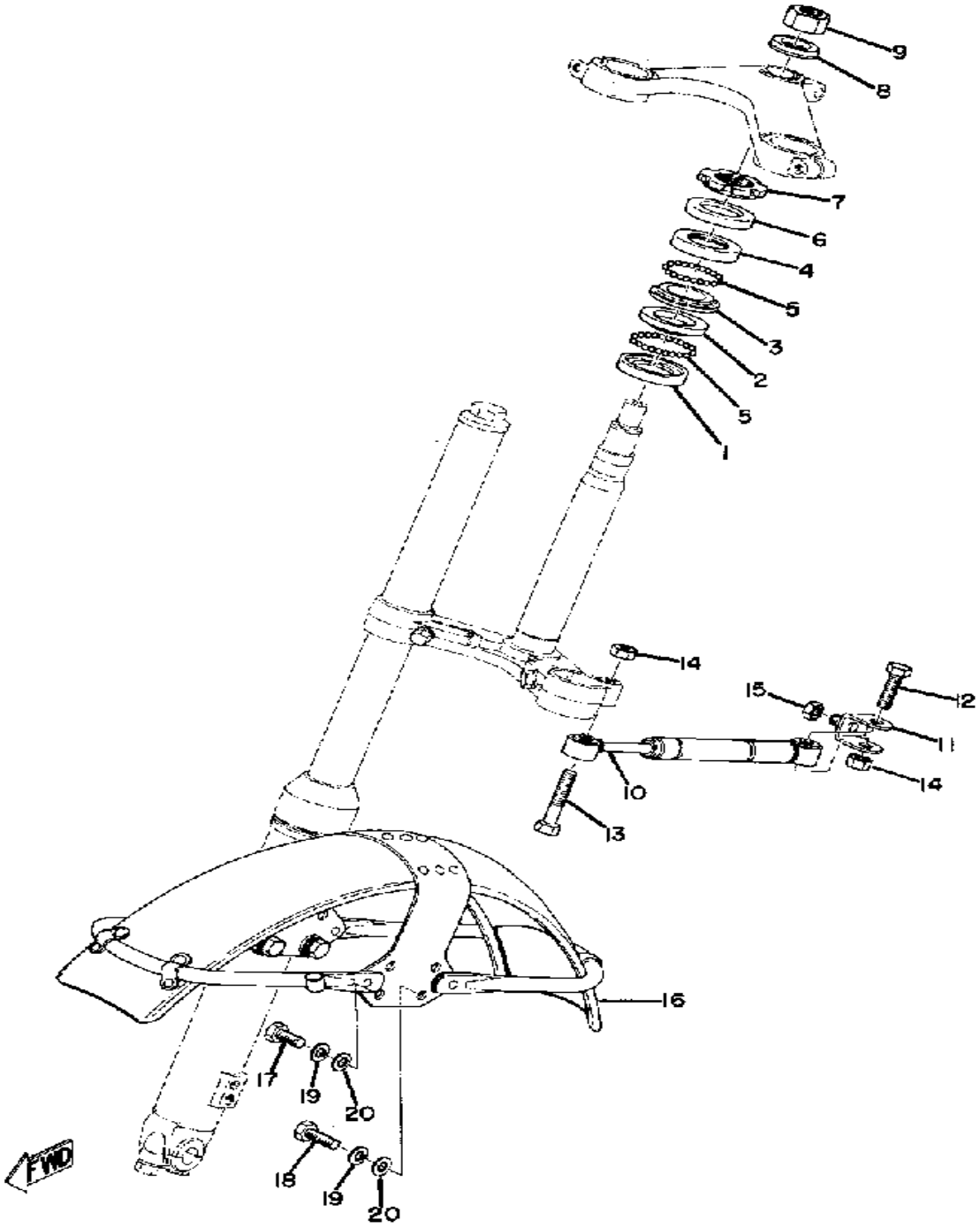
CONTINUED ON NEXT FRAME ►

FRONT FORK



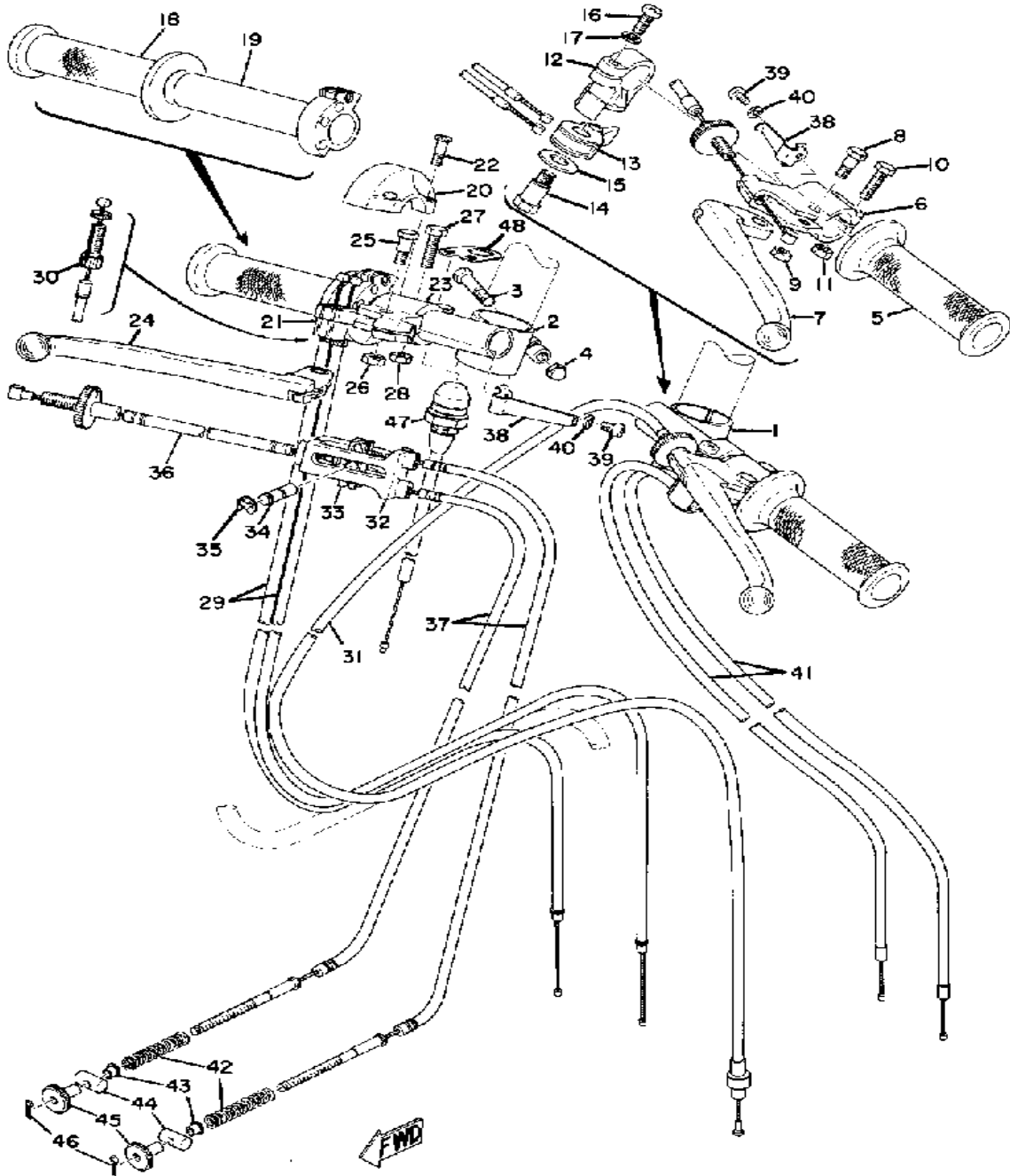
Ref. No.	Part Number	Description	Qty	Remarks
28	92990-08100-00	. WASHER	3	
29	95333-08600-00	. NUT, HEXAGON	3	
30	164-23462-00-00	SEAL, STEERING	1	
-1	(328-23100-00-00)	FRONT FORK ASSEMBLY	1	

STEERING - FRONT FENDER



Ref. No.	Part Number	Description	Qty	Remarks
1	156-23411-00-00	RACE, BALL 1	1	
2	156-23412-00-00	RACE, BALL 2	1	
3	183-23411-00-00	RACE, BALL 1	1	
4	183-23412-00-00	RACE, BALL 2	1	
5	93501-04011-00	BALL	38	
6	136-23415-00-00	COVER, BALL RACE 1	1	
7	90179-25033-00	NUT	1	
8	90209-17057-00	WASHER, SPEC'L SHAP	1	
9	95303-16600-00	NUT (95301-16600)	1	
10	(240-23490-00-00)	HDLBR SMY DMPR ASSEMBLY	1	
11	59W-23491-00-00	JOINT	1	
12	97313-08030-00	BOLT, HEXAGON	1	
13	97313-08045-00	BOLT	1	
14	95611-08100-00	NUT, U	2	
15	95303-08700-00	NUT	1	
16	(328-21510-00-01)	FENDER, FRONT	1	
17	(90103-08013-00)	BOLT, HEAD W/HOLE	2	
18	(95201-08025-00)	BOLT, FLAT HD.DRILL	2	
19	92990-08100-00	WASHER	4	
20	92990-08200-00	WASHER, PLAIN	4	

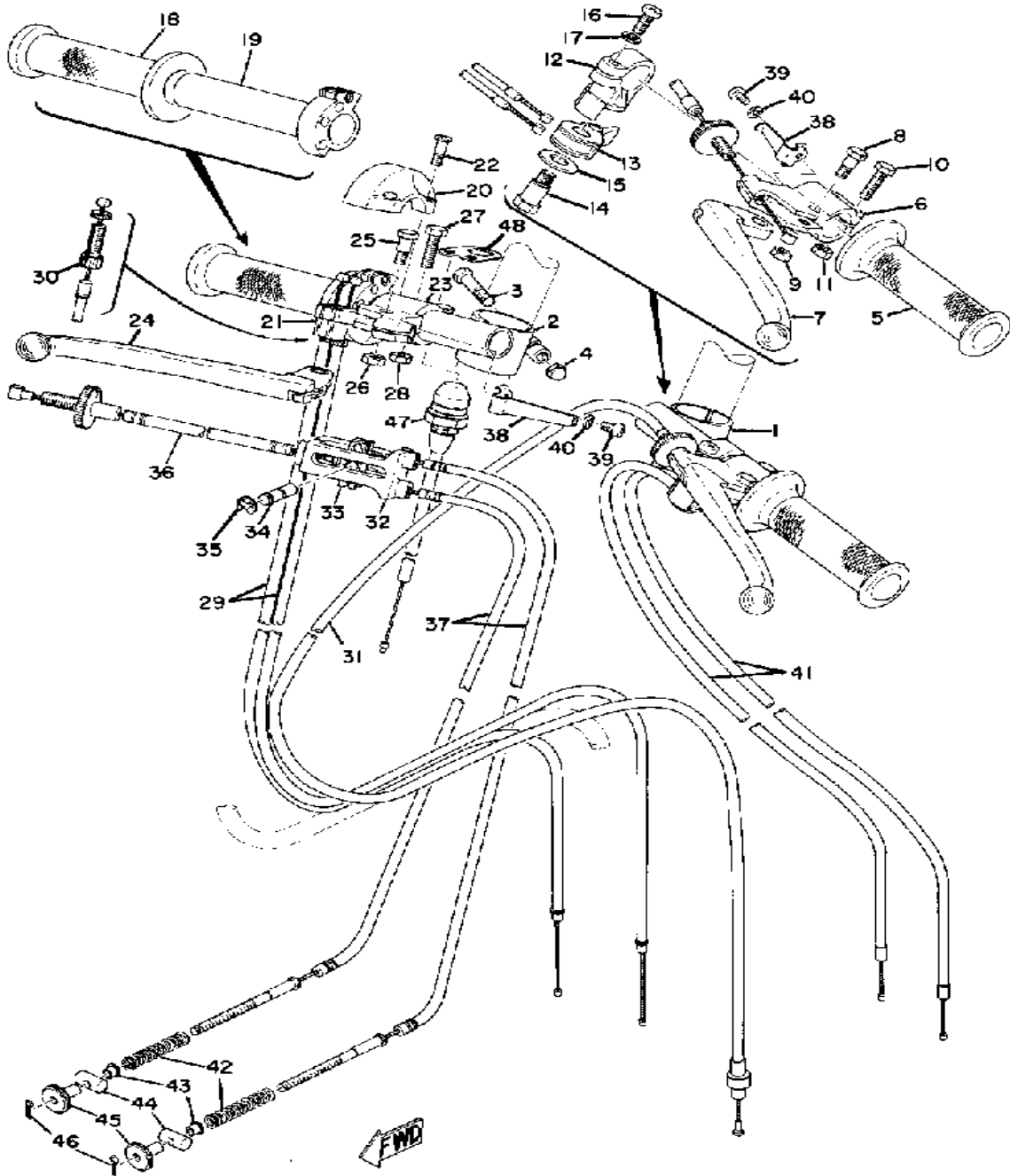
HANDLE - WIRE



Ref. No.	Part Number	Description	Qty	Remarks
1	(240-26121-01-00)	HANDLEBAR LH	1	
2	(240-26122-01-00)	HANDLEBAR RH	1	
3	97313-08035-00	BOLT, HEXAGON	2	
4	95611-08100-00	NUT, U	2	
5	47X-26241-00-00	GRIP (LEFT)	1	
6	(240-82811-00-00)	HOLDER, LEVER 1	1	
7	150-83912-00-38	. LEVER L	1	
8	(90109-06333-00)	BOLT	1	
9	95380-06600-00	. NUT	1	
10	97011-06025-00	BOLT (97001-06025)	2	
11	95380-06600-00	NUT	2	
12	240-83946-00-00	HOLDER, STARTER LEVER	1	
13	240-83941-00-00	LEVER, STARTER	1	
14	90109-08398-00	BOLT	1	
15	90201-12175-00	WASHER, PLATE	1	
16	98580-06018-00	SCREW, PAN HEAD	1	
17	92995-06100-00	WASHER, SPRING	1	
18	47X-26242-00-00	GRIP (RIGHT)	1	
19	240-26243-01-00	TUBE, THRTL GUIDE	1	
20	240-26281-00-00	CAP, GRIP UPPER	1	
21	240-26282-00-00	CAP, GRIP LOWER	1	
22	98580-05020-00	SCREW, PAN HEAD	2	
23	(240-82821-00-00)	HOLDER, LEVER 2	1	
24	(218-83922-30-38)	LEVER R	1	
25	(90109-06333-00)	BOLT	1	
26	95380-06600-00	. NUT	1	
27	97011-06025-00	BOLT (97001-06025)	2	
28	95380-06600-00	NUT	2	
29	240-26311-00-00	CABLE, THROTTLE 1 (650MM)	2	

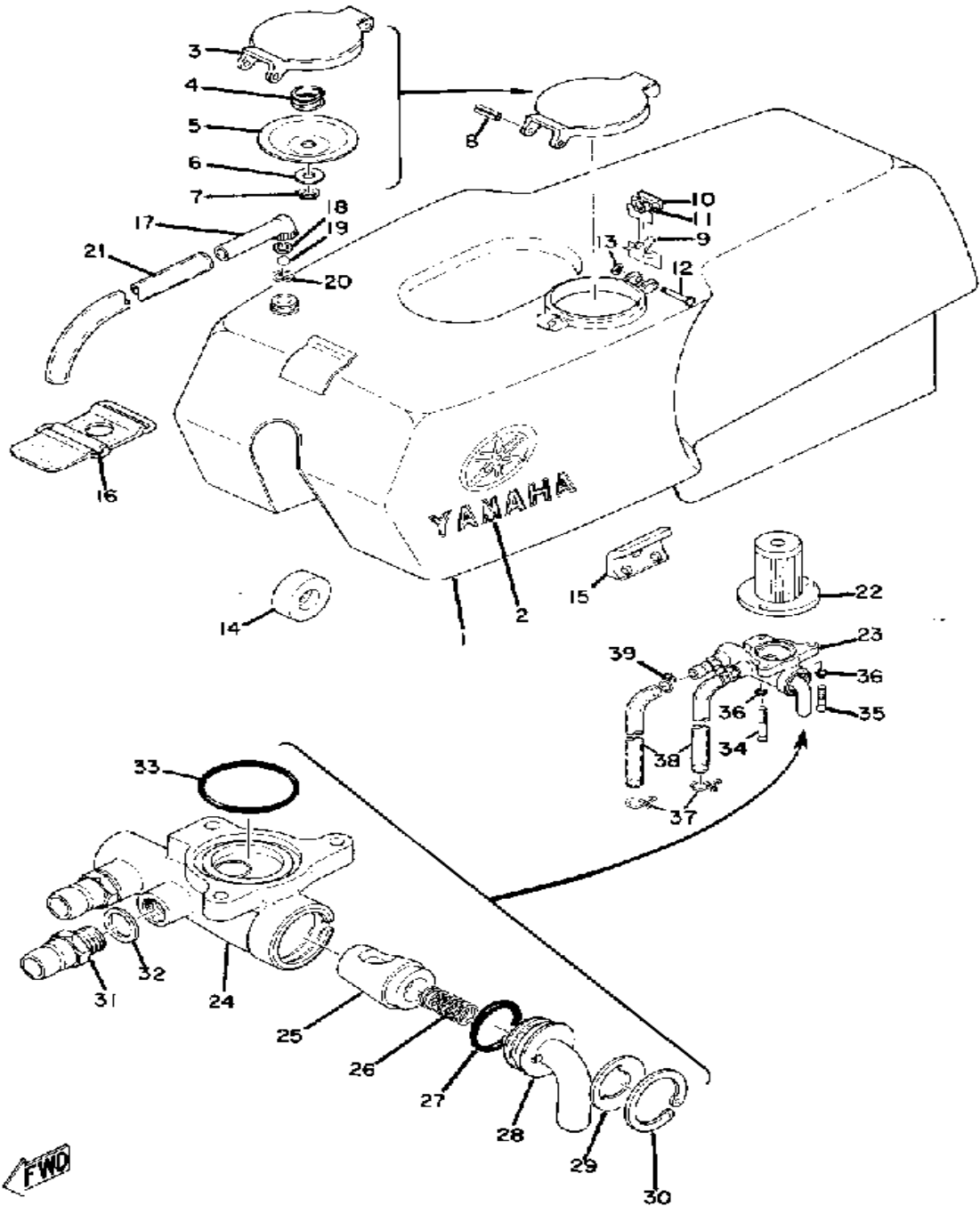
CONTINUED ON NEXT FRAME ➤

HANDLE - WIRE



Ref. No.	Part Number	Description	Qty	Remarks
30	90123-06007-00	BOLT	2	
31	(328-26335-00-00)	CABLE, CLUTCH	1	
32	(294-26371-00-00)	HOUSING, BRAKE LINK	1	
33	(240-26347-00-00)	JOINT, CABLE	1	
34	(90249-08006-00)	PIN, SPEC"L SHAPE	1	
35	99009-06600-00	CIRCLIP	1	
36	(294-26341-00-00)	CABLE, BRAKE	1	
37	(294-26361-00-00)	CABLE, BRAKE	2	
38	5F6-26368-00-00	SPRING, LOCK	2	
39	98580-05010-00	SCREW, PAN HEAD	2	
40	92990-05100-00	WASHER, SPRING	2	
41	1RK-26331-00-00	CABLE, STARTER 1 (800MM)	2	
42	90501-09052-00	SPRING, COMPRESSION	2	
	90501-09054-00	SPRING, COMPRESSION (294-27236-00)	2	
43	(294-27239-00-00)	SEAT, SPRING	2	
44	(90249-10073-00)	PIN, SPEC"L SHAPE	2	
45	(90179-05154-00)	NUT, SPEC"L SHAPE	2	
46	91490-12012-00	PIN, COTTER	2	
47	(328-83976-00-00)	SWITCH, HANDLE 1	1	
48	(294-83974-00-00)	HOLDER, HANDLE SWCH	1	
-1	240-82810-00-00	LEVER HOLDER ASSEMBLY 1	1	
-2	(240-82820-00-00)	LEVER HOLDER ASSEMBLY 2	1	

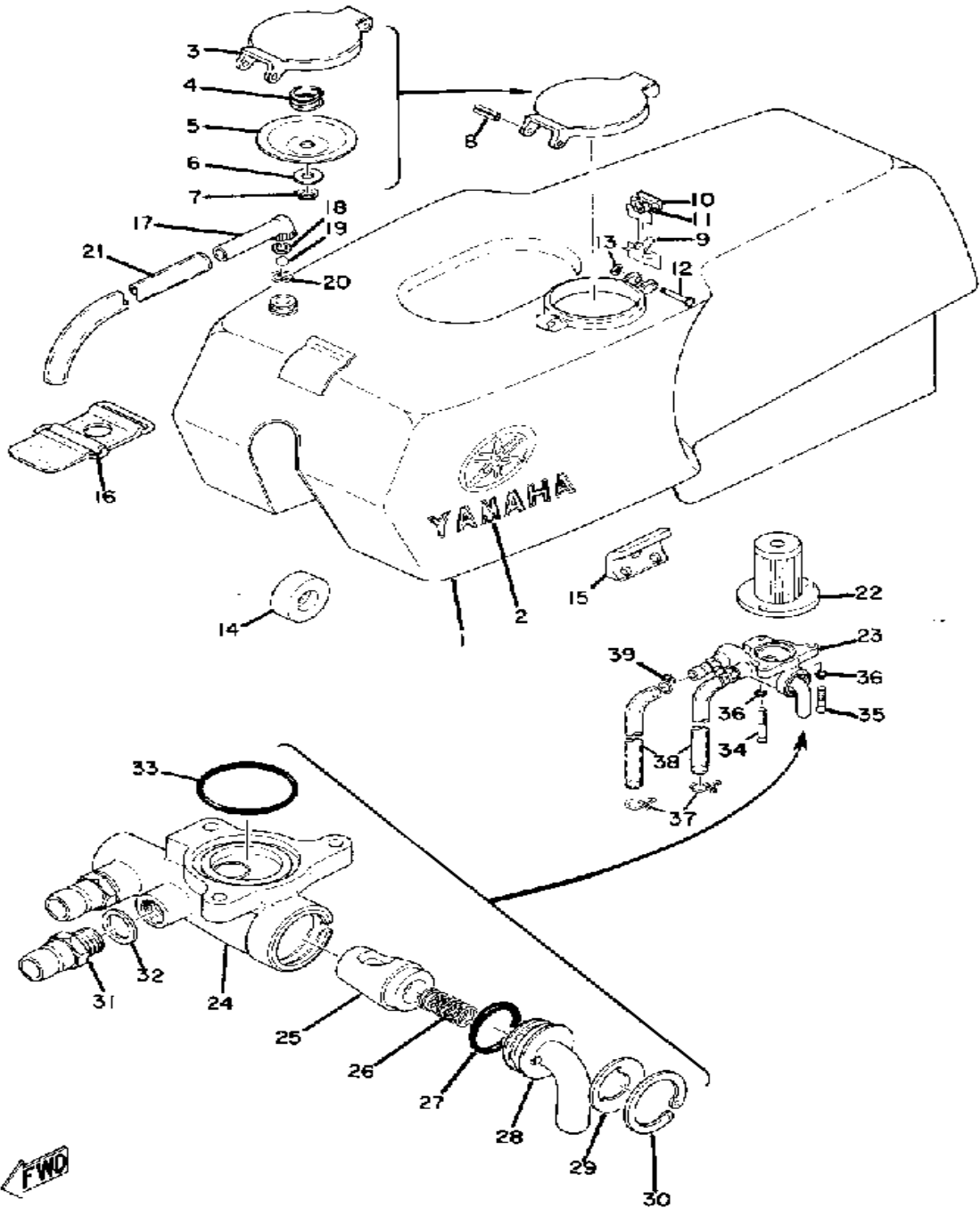
FUEL TANK



Ref. No.	Part Number	Description	Qty	Remarks
1	(328-24110-00-X1)	FUEL TANK	1	
2	240-24161-00-00	. EMBLEM 1	2	
3	294-24611-00-00	BODY, CAP	1	
4	90501-20130-00	SPRING, COMPRESSION	1	
5	294-24612-00-00	GASKET, CAP	1	
6	92990-08200-00	WASHER, PLAIN	1	
7	99009-06600-00	CIRCLIP	1	
8	91609-30020-00	PIN, SPRING	1	
9	90508-08223-00	SPRING, TORSION (256-24637-00)	1	
10	256-24628-00-00	HOOK	1	
11	93210-06632-00	O-RING	1	
12	90249-03016-00	PIN, SPEC'L SHAPE	1	
13	93430-02001-00	CIRCLIP	1	
14	278-24181-00-00	DAMPER, LOCATING 1	2	
15	240-24181-00-00	DAMPER, LOCATING 1	2	
16	240-24173-00-00	BAND, TNK FITTING 1	1	
17	143-24681-00-00	NUT, CAP	1	
18	(90430-10028-00)	GASKET	1	
19	143-24684-00-00	BALL	1	
20	143-24685-00-00	CLIP, BALL HOLDER	1	
21	(90446-06007-00)	HOSE	1	
22	(294-24167-00-00)	STRAINER	1	
23	(240-24500-01-00)	FUEL COCK ASSEMBLY 1	1	
24	(145-24529-00-00)	SPRING	1	
25	(240-24534-00-00)	SEAL, COCK	1	
26	(240-24524-00-00)	LEVER, COCK	1	
27	(240-24525-00-00)	PLATE, LVR FITTING	1	
28	(240-24544-00-00)	BRACKET, FUEL COCK	1	
29				
30				

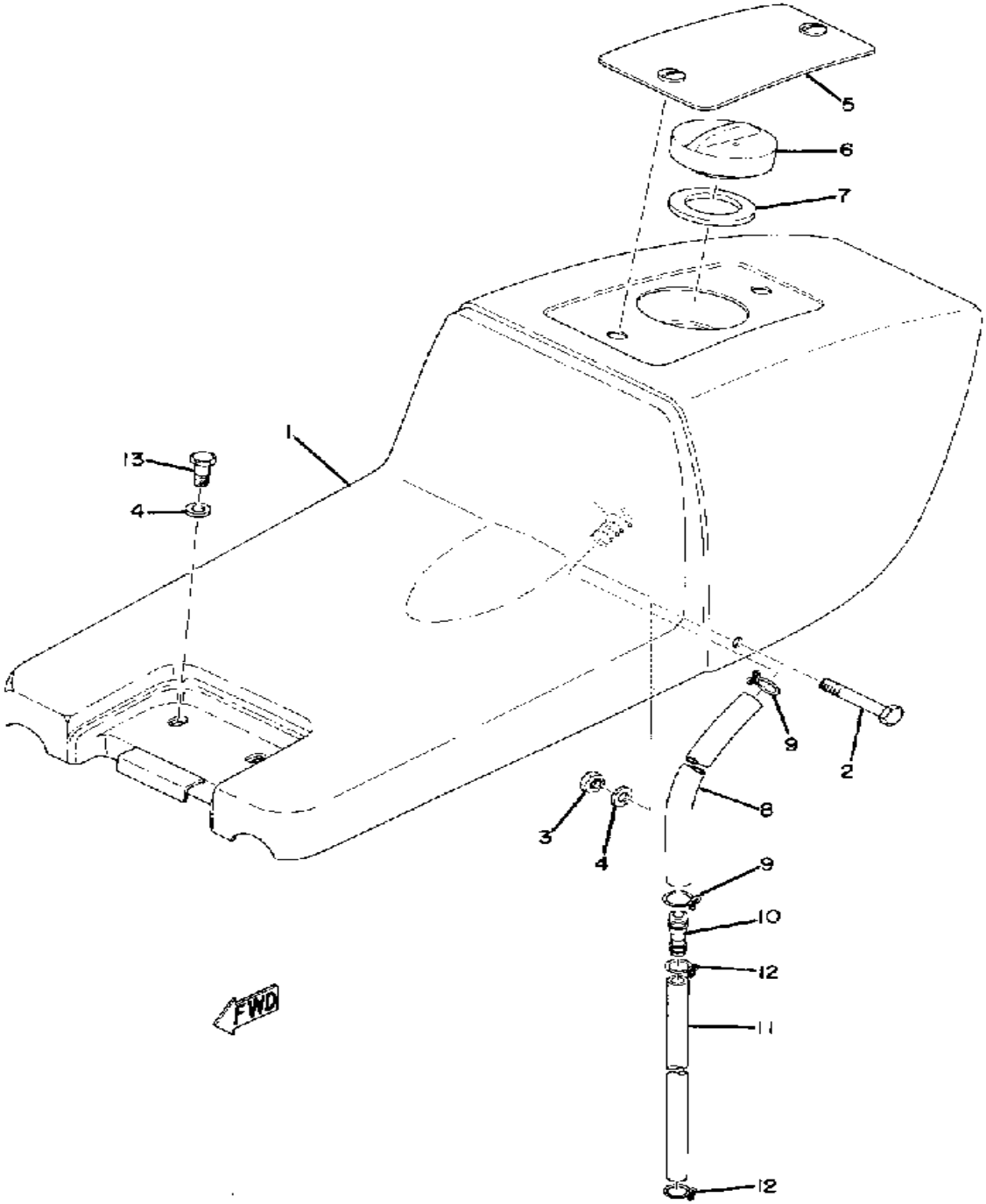
CONTINUED ON NEXT FRAME ►

FUEL TANK



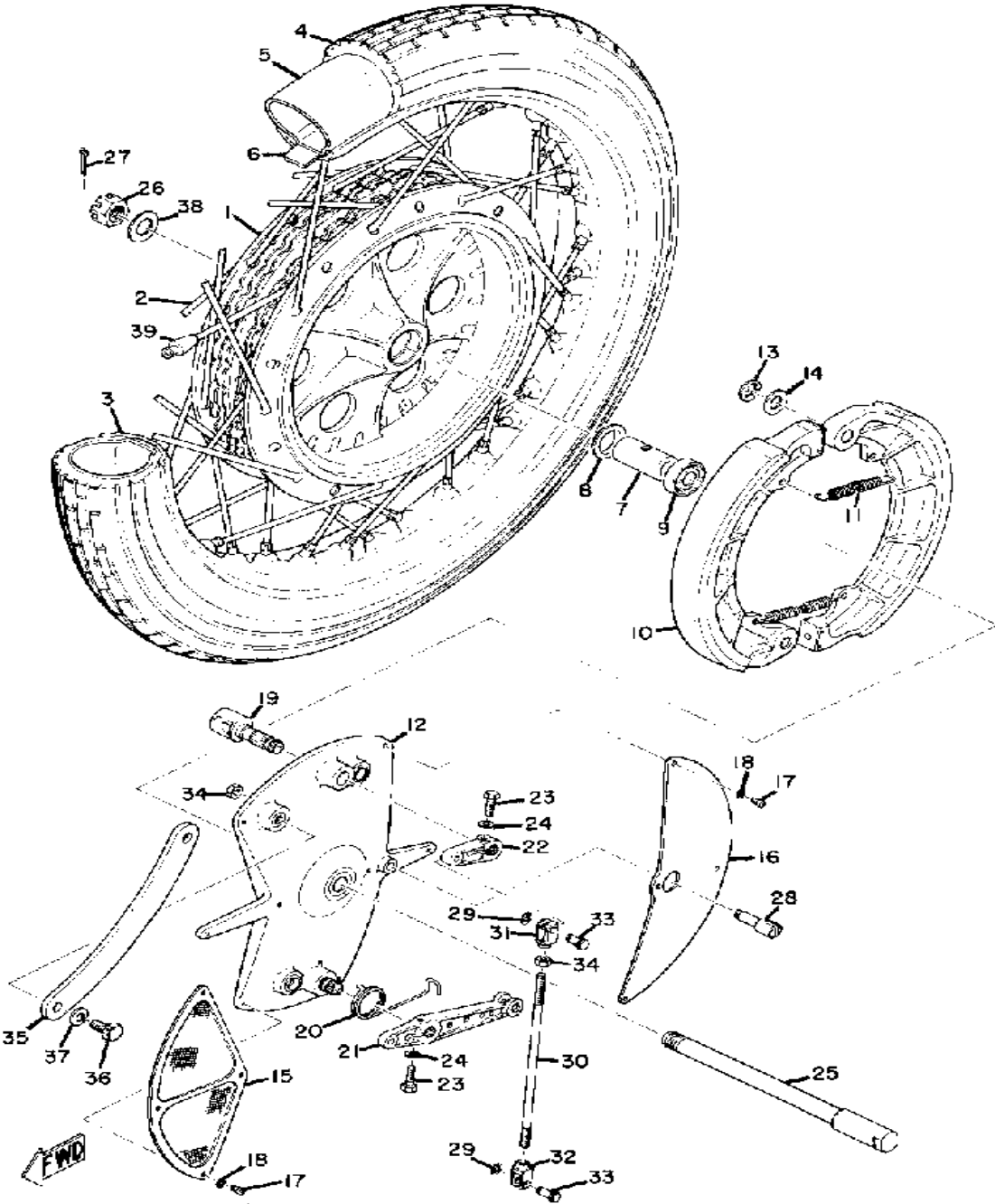
Ref. No.	Part Number	Description	Qty	Remarks
31	(240-24537-00-00)	NIPPLE	2	
32	(240-24528-00-00)	GASKET	2	
33	(93210-38146-00)	O-RING	1	
34	98701-04020-00	SCREW, FLAT HEAD	2	
35	(98701-04035-00)	SCREW, FLAT HEAD	1	
36	(92901-04500-00)	WASHER, EX.TOOTH	3	
37	90467-10008-00	CLIP	2	
38	90445-11491-00	HOSE	2	
39	90467-11102-00	CLIP, SCISSOR	2	

SEAT



Ref. No.	Part Number	Description	Qty	Remarks
1	(383-24710-00-00)	SINGLE SEAT ASSEMBLY	1	
2	97313-06045-00	BOLT (97021-06045-00)	2	
3	95701-06300-00	NUT, NYLON	2	
4	92990-06200-00	WASHER	4	
5	(240-24732-00-00)	PLATE	1	
6	(240-21770-01-00)	OIL TANK CAP ASSEMBLY	1	
7	(90430-25049-00)	GASKET	1	
8	90445-11153-00	HOSE	1	
9	90467-10008-00	CLIP	2	
10	(240-21743-00-00)	CONNECTOR, OIL PUMP	1	
11	90445-09361-00	HOSE	1	
12	90467-08003-00	CLIP	2	
13	97011-06020-00	BOLT	2	

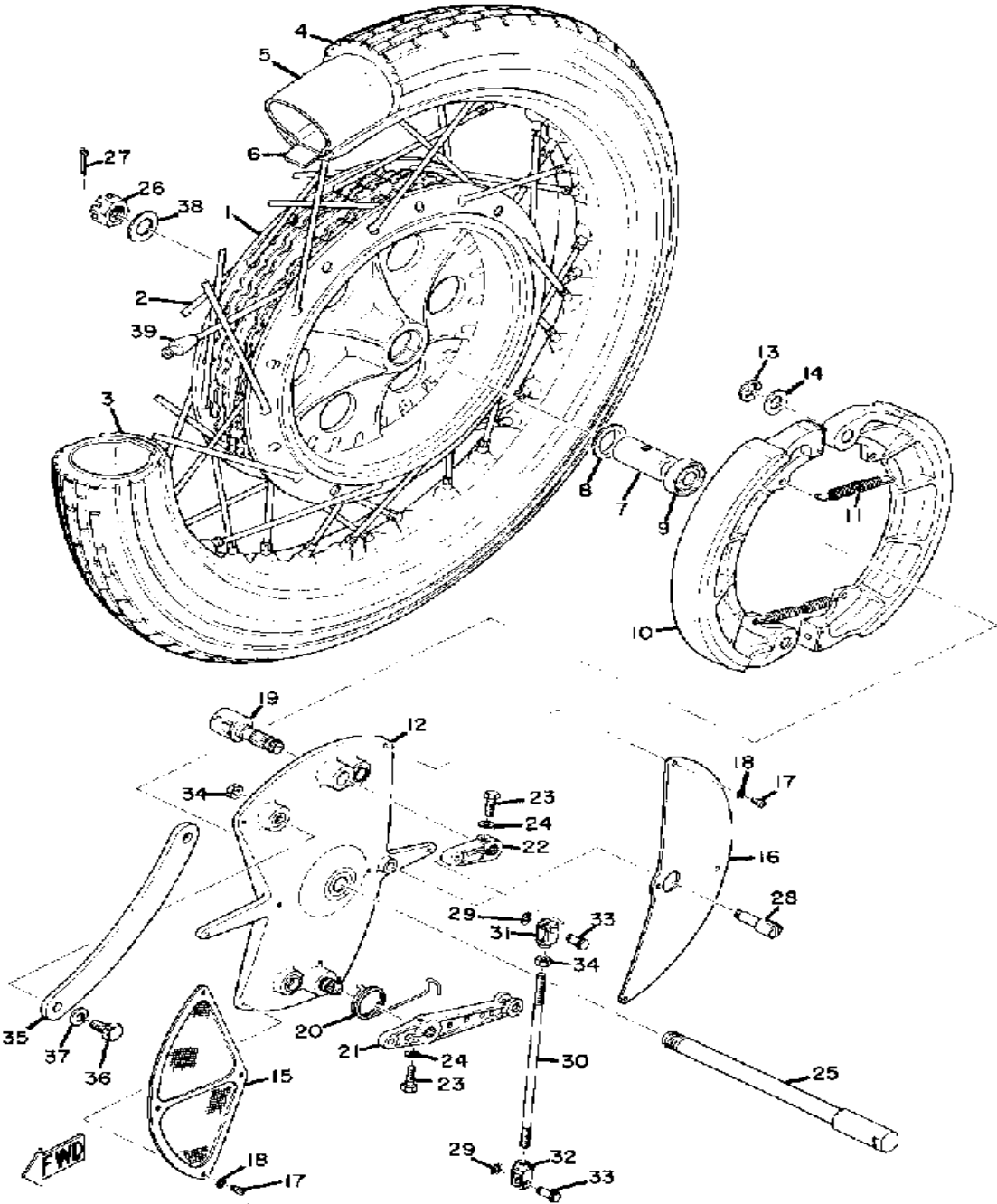
FRONT WHEEL



Ref. No.	Part Number	Description	Qty	Remarks
1	(240-25111-00-00)	HUB, FRONT	1	
2	(240-25104-00-00)	SPOKE SET, FRONT	1	
3	(94416-18043-00)	RIM 1.60X 8	1	
	(94418-18047-00)	RIM 1.85X 8	1	
5	(94227-18010-00)	TUBE	1	
	94230-18084-00	TUBE	1	
6	94325-18043-00	BAND, RIM	1	
7	90560-15290-00	SPACER	1	
8	146-25116-00-00	FLANGE, SPACER 2	1	
9	93306-20204-00	BEARING (B6202Z)	2	
10	(240-25130-00-00)	BRAKE SHOE	4	
11	(240-25133-00-00)	SPRING, RETURN	4	
12	(240-25121-00-00)	PLATE, BRAKE SHOE	1	
	(240-25169-00-00)	PLATE, BRAKE SHOE 2	1	
13	93430-10015-00	CIRCLIP, E-TYPE	4	
14	90201-25286-00	WASHER, PLATE (341-25147-00)	4	
15	(240-25148-00-00)	COVER, SUCTION	2	
16	(240-25127-00-00)	COVER, PLATE	2	
17	98580-03008-00	SCREW, PAN HEAD	16	
18	92990-03100-00	WASHER, SPRING (92901-03100)	16	
19	(240-25151-00-00)	CAMSHAFT	4	
20	(90508-20026-00)	SPRING, TORSION	1	
	(90508-20027-00)	SPRING, TORSION	1	
21	(240-25155-00-00)	LEVER, CAMSHAFT 1	2	
22	(240-25156-00-00)	LEVER, CAMSHAFT 2	2	
23	(95201-06020-00)	BOLT, FLAT HD.DRILL	4	
	90101-06288-00	BOLT	4	

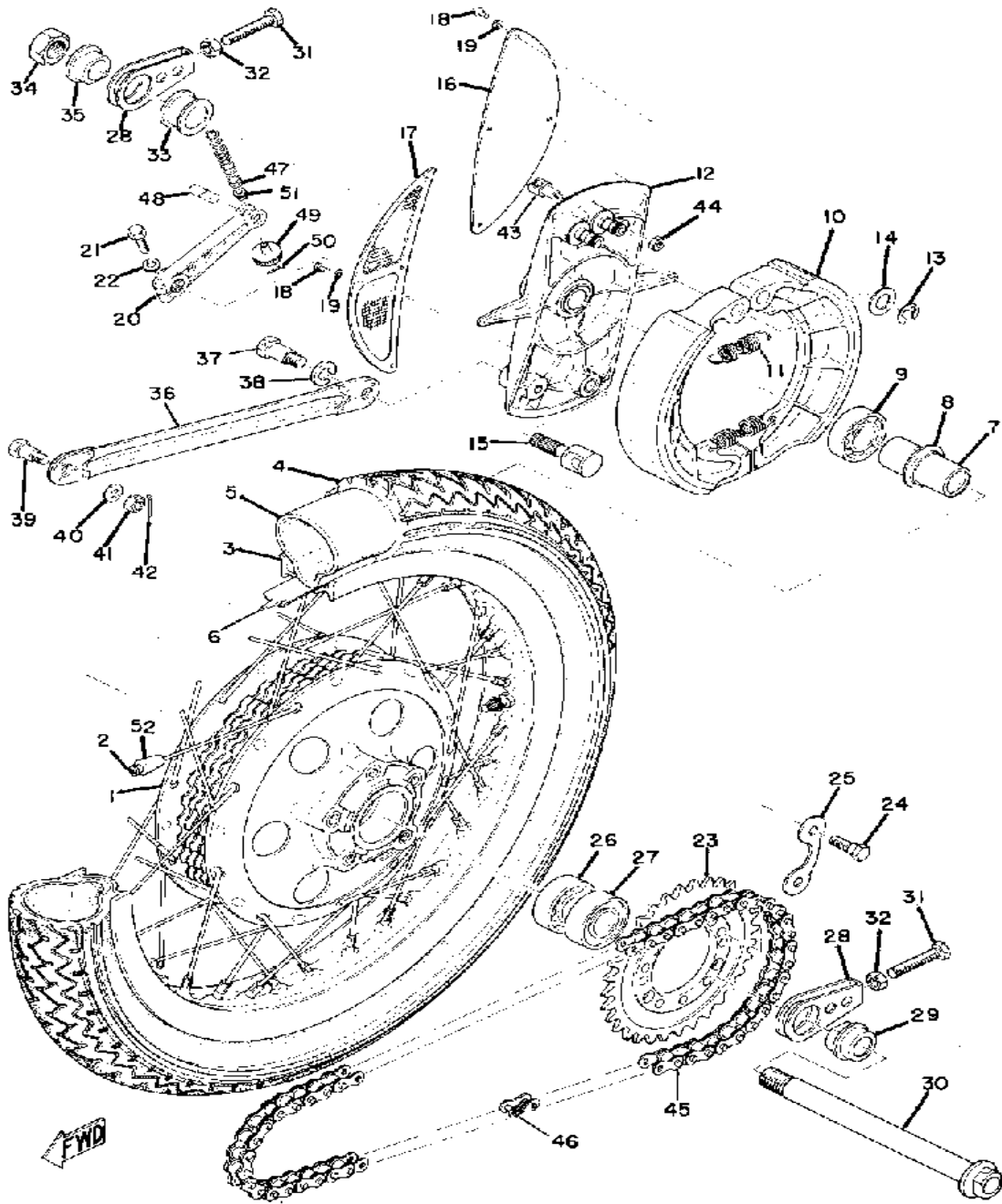
CONTINUED ON NEXT FRAME ►

FRONT WHEEL



Ref. No.	Part Number	Description	Qty	Remarks
24	92995-06100-00	WASHER, SPRING	4	
25	(240-25181-00-00)	AXLE, WHEEL	1	
26	(90171-15010-00)	NUT, CASTLE	1	
27	91401-30030-00	PIN, COTTER	1	
28	(240-26381-00-00)	HOLDER, ADJUSTING	2	
29	99080-04600-00	CIRCLIP (E)	4	
30	(240-25161-00-00)	ROD, CONNECTING	2	
31	152-25163-00-00	END, ROD 1	2	
32	152-25164-00-00	END, ROD 2	2	
33	90249-06095-00	PIN, SPEC'L SHAPE	4	
34	95380-06700-00	NUT	4	
35	(328-25171-00-00)	BAR, TENSION	2	
36	(90103-08005-00)	BOLT, HEAD W/HOLE	2	
37	92990-08100-00	WASHER	2	
38	90201-15239-00	WASHER, PLATE	1	
39	156-25398-00-00	BALANCER, WHEEL	1	

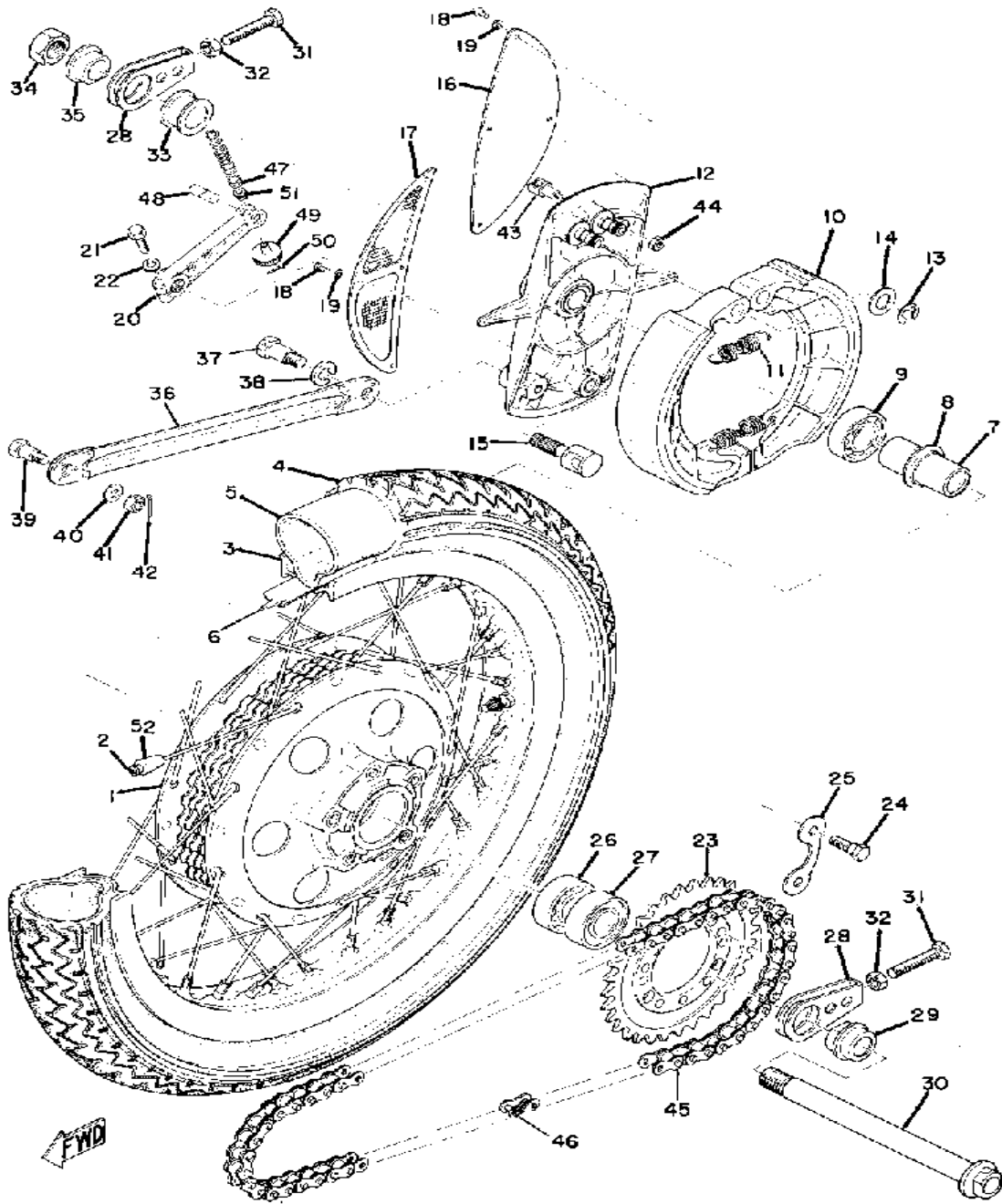
REAR WHEEL



Ref. No.	Part Number	Description	Qty	Remarks
1	(240-25311-00-00)	HUB, REAR	1	
2	(240-25304-00-00)	SPOKE SET, REAR	1	
3	(94421-18050-00)	RIM 2.15X 8	1	
5	94230-18084-00	TUBE	1	
6	94325-18043-00	BAND, RIM	1	
7	(240-25317-00-00)	SPACER, BEARING	1	
8	4V4-25315-00-00	FLANGE, SPACER	1	
9	93306-20404-00	BEARING	1	
10	(240-25330-00-00)	BRAKE SHOE	2	
11	(240-25333-00-00)	SPRING, RETURN	2	
12	(239-25321-00-00)	PLATE, BRAKE SHOE	1	
13	93430-10015-00	CIRCLIP, E-TYPE	2	
14	148-25353-00-00	SHIM, CAMSHAFT	2	
15	(240-25351-00-00)	CAMSHAFT	1	
16	(240-25327-00-00)	COVER, PLATE	1	
17	(240-25348-00-00)	COVER, SUCTION	1	
18	98580-03008-00	SCREW, PAN HEAD	8	
19	92990-03100-00	WASHER, SPRING (92901-03100)	8	
20	(240-25355-00-00)	LEVER, CAMSHAFT	1	
21	(95201-06020-00)	BOLT, FLAT HD.DRILL	1	
	90101-06288-00	BOLT	1	
22	92995-06100-00	WASHER, SPRING	1	
23	(240-25429-00-00)	SPROCKET, DRIVN 29T	1	U.RU.RU.RU.R
	(240-25430-00-00)	SPROCKET, DRIVN 30T	1	U.RU.RU.RU.R
	(240-25431-00-00)	SPROCKET, DRIVN 31T	1	U.RU.RU.RU.R
	(240-25442-00-00)	SPROCKET, DRIVN 42T	1	U.RU.RU.RU.R
	240-25432-00-00	SPROCKET, DRIVN 32T	1	U.RU.RU.RU.R
	240-25433-00-00	SPROCKET, DRIVN 33T	1	U.RU.RU.RU.RTD3AT5SPEED

CONTINUED ON NEXT FRAME ►

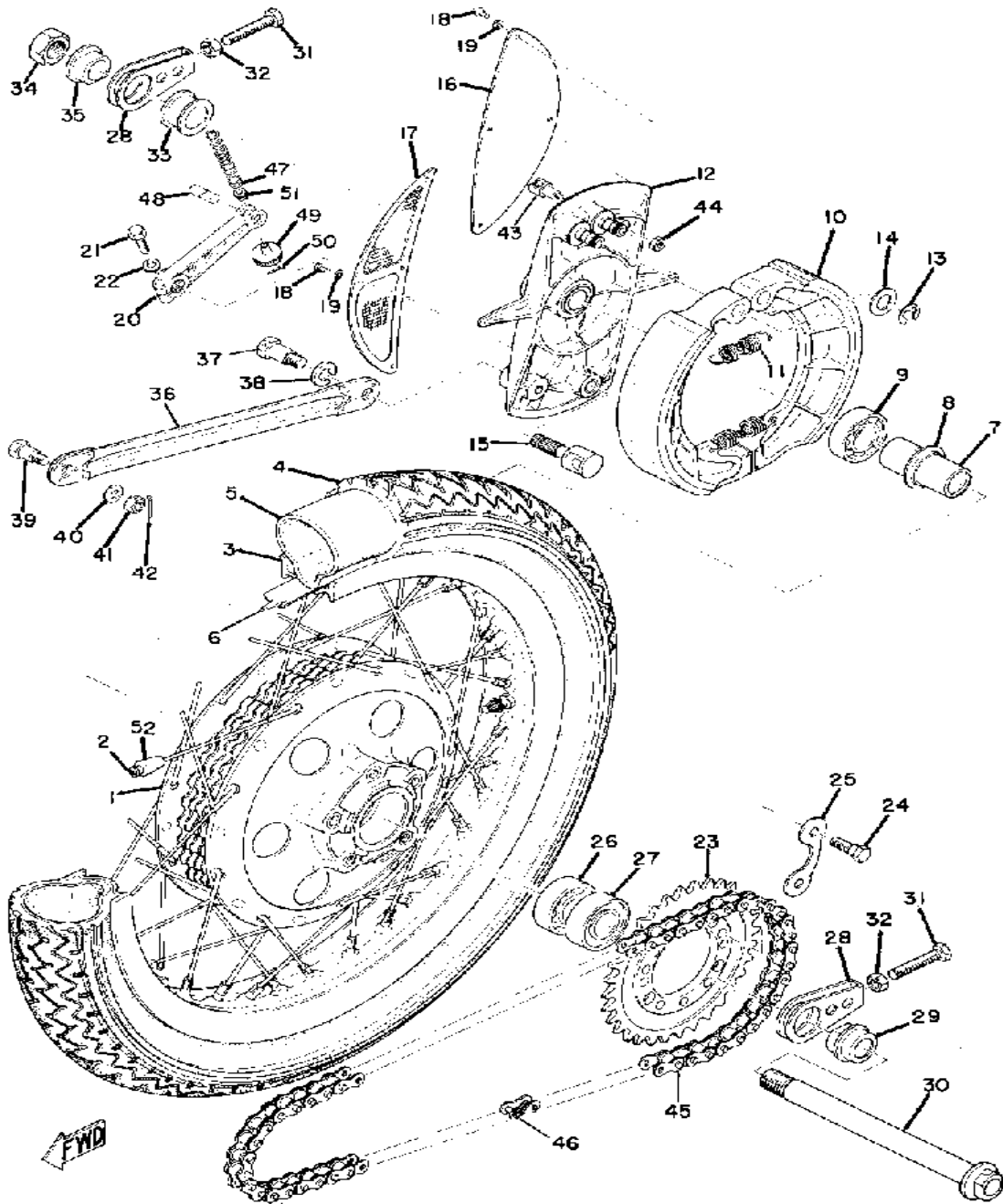
REAR WHEEL



Ref. No.	Part Number	Description	Qty	Remarks
23	240-25434-00-00	SPROCKET, DRIVN 34T	1	U.RU.RU.RU.RTD3STD
	240-25435-00-00	SPROCKET, DRIVN 35T	1	U.RU.RU.RU.R
	240-25438-00-00	SPROCKET, DRIVN 38T	1	U.RU.RU.RU.R
	3YL-25436-00-00	SPROCKET, DRIVEN 6	1	U.RU.RU.RU.R
	3YL-25437-00-00	SPROCKET, DRIVEN 7	1	U.RU.RU.RU.R
	3YL-25439-00-00	SPROCKET, DRIVEN 9	1	U.RU.RU.RU.R
	3YL-25440-00-00	SPROCKET, DRIVEN 0	1	U.RU.RU.RU.R
	3YL-25441-00-00	SPROCKET, DRIVEN 1	1	U.RU.RU.RU.R
24	90109-08369-00	BOLT	5	
25	143-25412-00-00	WASHER	3	
26	93306-30421-00	BEARING (B6304C3)	1	
27	93306-30417-00	BEARING (B6304ZZ)	1	
28	(240-25388-00-00)	PULLER, CHAIN 1	2	
29	(240-25377-00-00)	COLLAR, WHEEL	1	
30	(240-25381-00-00)	AXLE, WHEEL	1	
31	90101-08699-00	BOLT	2	
32	95303-08700-00	NUT	2	
33	(90387-20167-00)	COLLAR	1	
34	90170-18091-00	NUT, HEXAGON	1	
35	(240-25384-00-00)	WASHER, WHEEL	1	
36	(168-25371-00-00)	BAR, TENSION	1	
37	(90109-10085-00)	BOLT	1	
38	92901-12100-00	WASHER, SPRING	1	
39	90109-08374-00	BOLT	1	
40	92990-08200-00	WASHER, PLAIN	1	
41	95333-08600-00	NUT, HEXAGON	1	
42	91490-20020-00	PIN, COTTER	1	
43	(240-26396-00-00)	HOLDER, ADJUSTING	1	
44	95380-06700-00	NUT	1	

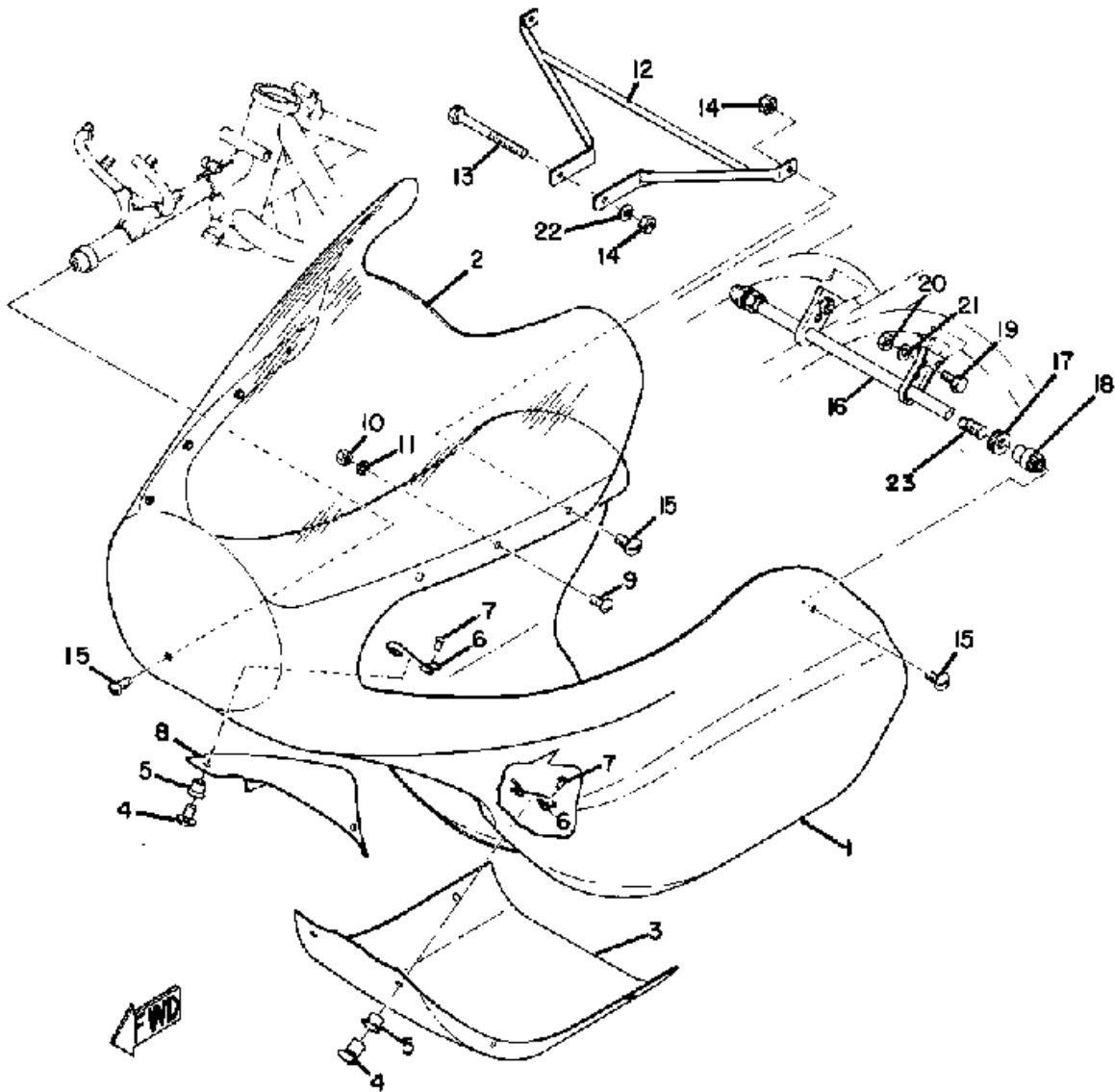
CONTINUED ON NEXT FRAME ➤

REAR WHEEL



Ref. No.	Part Number	Description	Qty	Remarks
45	(94515-20094-00)	CHAIN	1	
46	94680-11001-00	. JOINT CHAIN	1	
47	90501-09054-00	SPRING, COMPRESSION (294-27236-00)	1	
48	(90249-10073-00)	PIN, SPEC'L SHAPE	1	
49	(90179-05154-00)	NUT, SPEC'L SHAPE	1	
50	91490-12012-00	PIN, COTTER	1	
51	(294-27239-00-00)	SEAT, SPRING	1	
52	156-25398-00-00	BALANCER, WHEEL	1	
28-1	(409-25388-00-00)	PULLER, CHAIN 1	2	
29-1	(240-25377-01-00)	COLLAR, WHEEL	1	
30-1	(240-25381-01-00)	AXLE, WHEEL	1	
33-1	(90387-20273-00)	COLLAR	1	
35-1	(240-25384-01-00)	WASHER, WHEEL	1	

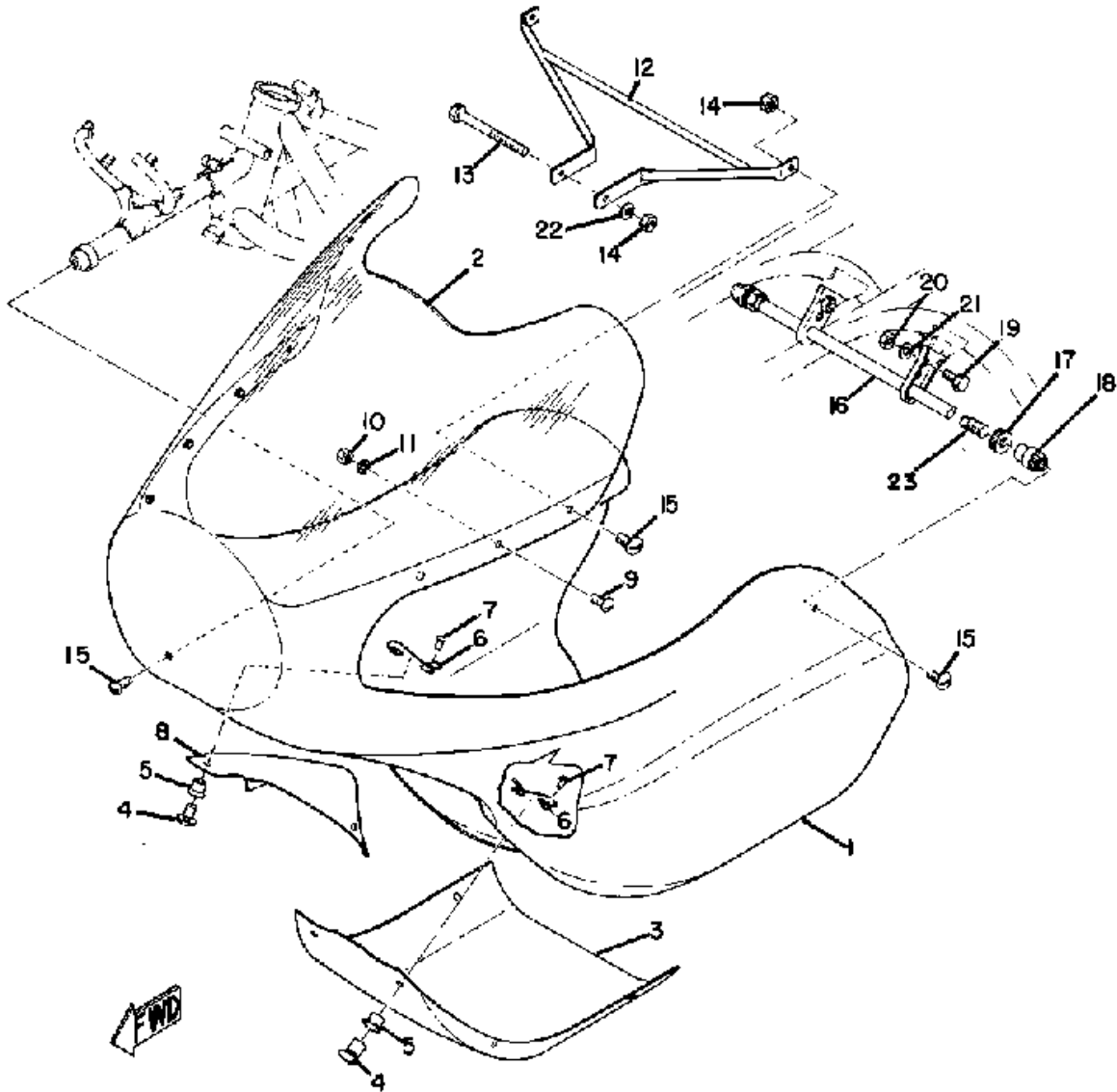
COWLING



Ref. No.	Part Number	Description	Qty	Remarks
1	(ACC-11110-75-05)	TZ250C RR FR W/WDS	1	
	328-28350-00-02	NO LONGER AVAILABLE	1	DISCONTINUED
2	(ACC-11110-77-04)	TZ750E WNDSHD ONLY	1	
3	(240-28385-00-00)	COVER, LOWER	1	
4	240-28386-00-00	. HEAD	2	
	240-28386-00-00	. HEAD	9	
5	240-28389-00-00	. RIVET	2	
	240-28389-00-00	. RIVET	9	
6	(240-28388-00-00)	SPRING	2	
	(240-28388-00-00)	SPRING	9	
7	(90260-02002-00)	RIVET, ROUND HEAD	22	
	(90260-02002-00)	RIVET, ROUND HEAD	4	
8	(240-28384-00-00)	COVER, UPPER	1	
9	90140-04012-00	SCREW, ROUND HEAD	7	
10	95301-04600-00	NUT	7	
11	92901-04100-00	WASHER, SPRING	7	
12	(240-28357-00-33)	STAY 2	1	
13	(97321-06085-00)	BOLT, HEXAGON	1	
14	95701-06300-00	NUT, NYLON	3	
15	90140-06010-00	SCREW, ROUND HEAD (143-28353-00)	5	
16	(240-28358-00-33)	STAY 3	1	
17	(90179-14145-00)	NUT, SPEC'L SHAPE	2	
18	240-28371-00-33	. DAMPER	2	
19	(95201-08015-00)	BOLT, FLAT HD.DRILL	2	
20	95333-08600-00	NUT, HEXAGON	2	
21	92990-08100-00	WASHER	2	
22	92995-06100-00	WASHER, SPRING	1	
23	(90174-14001-00)	NUT, WELD	2	

CONTINUED ON NEXT FRAME ►

COWLING



Ref. No.	Part Number	Description	Qty	Remarks
23	(ACC-11110-73-00)	FAIRING TA2 0	1	
	(ACC-11110-75-05)	TZ250C RR FR W/WDS	1	
	(ACC-11110-77-04)	TZ750E WNDSHD ONLY	1	