



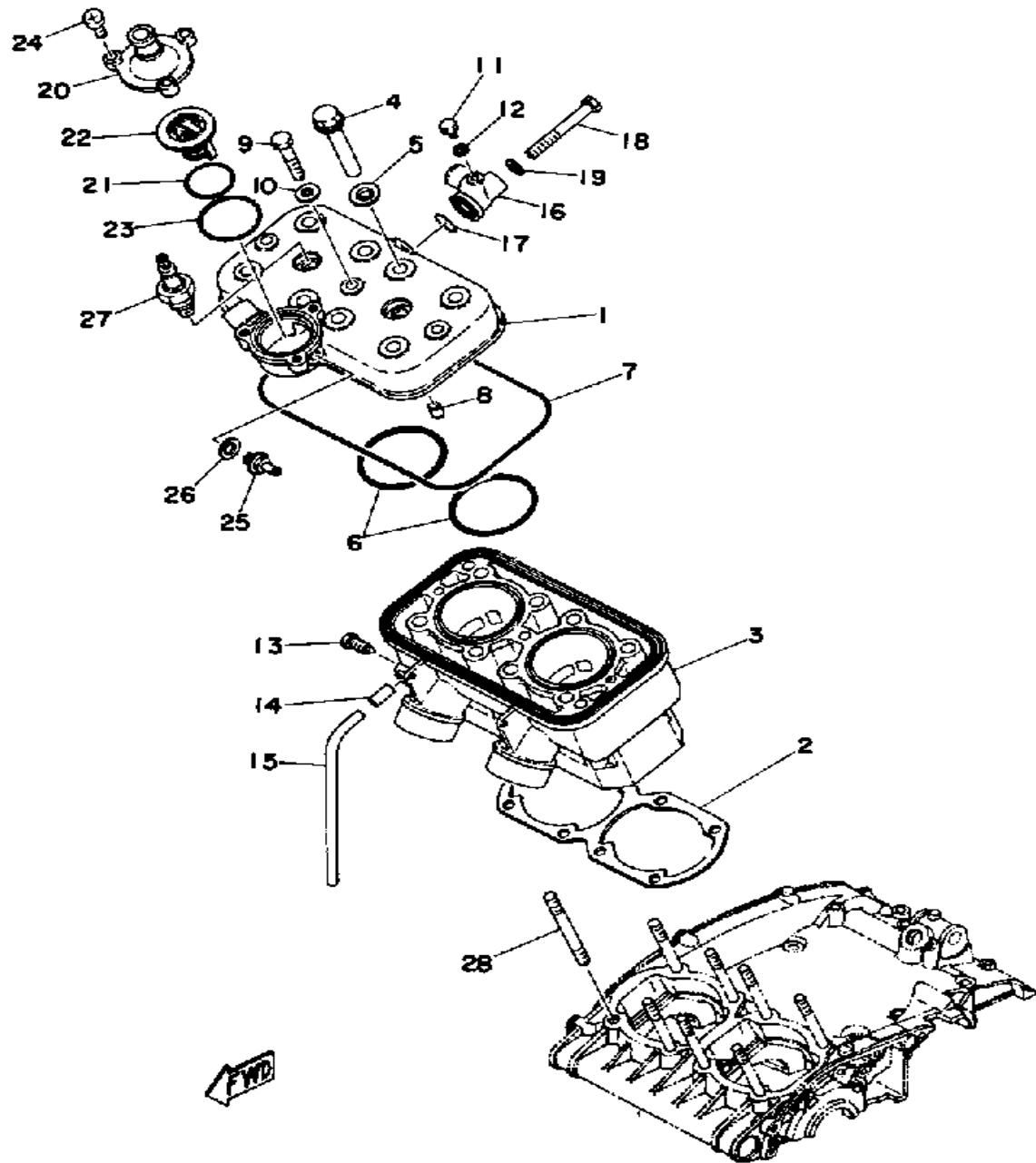
**YAMAHA**

**GENUINE**

**PARTS CATALOGUE**

**MOTORCYCLE**

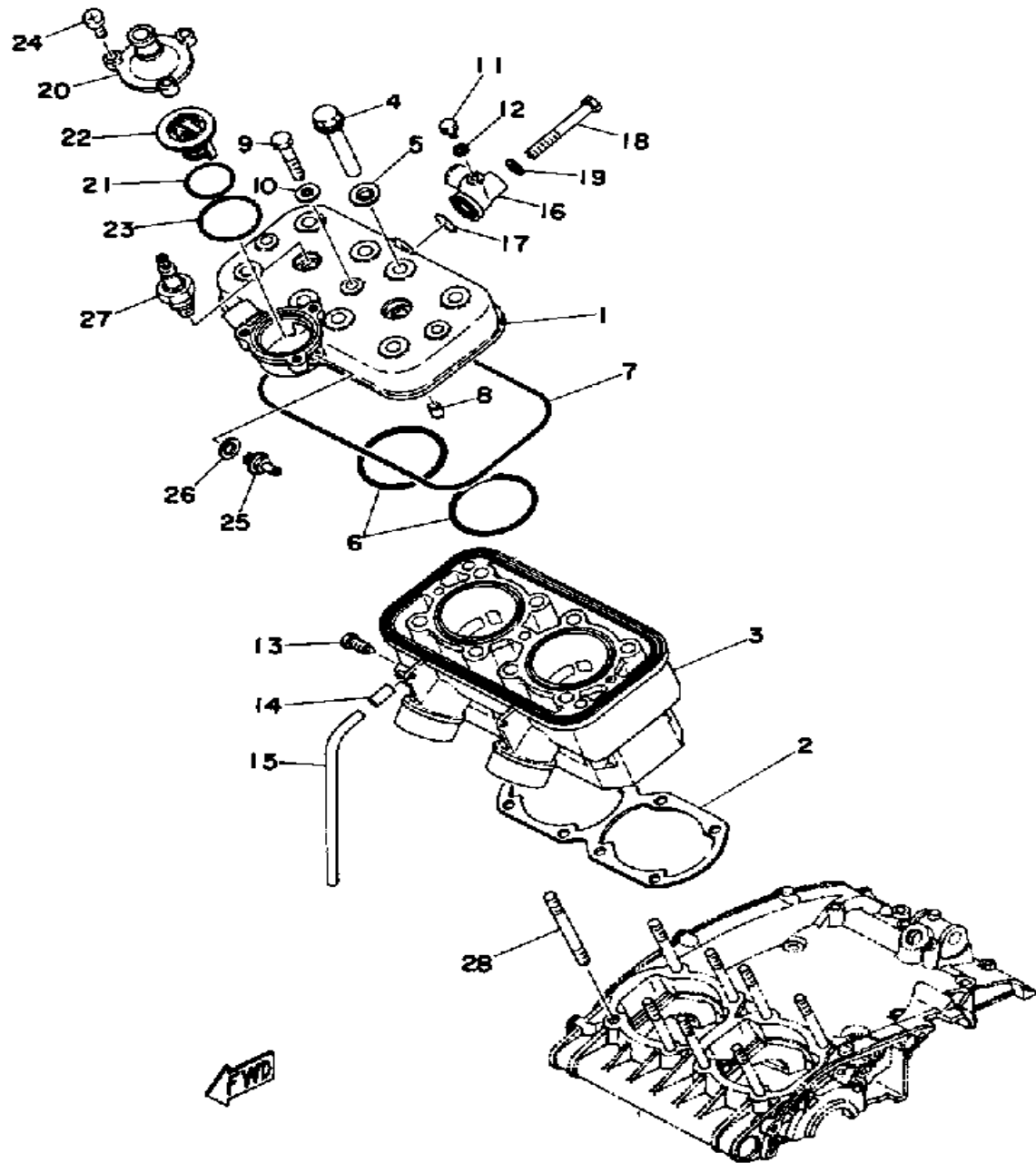
# CYLINDER HEAD-CYLINDER



Ref. No.	Part Number	Description	Qty	Remarks
1	(1H3-11111-01-00)	HEAD, CYLINDER 1 .....	1	
	(1H3-11111-01-00)	HEAD, CYLINDER 1 .....	1	1H3-11311-01WITH SET
	(1H4-11111-00-00)	HEAD, CYLINDER 1 .....	1	
	1H4-11111-01-00	UNAVAILABLE IN PRICE BOOK	1	
2	383-11351-01-00	GASKET, CYLINDER .....	1	
3	(1H4-11311-01-00)	CYLINDER 1 .....	1	
	1H3-11311-02-00	CYLINDER 1 .....	1	
	1H3-11311-02-00	CYLINDER 1 .....	1	1H3-11111-00WITH SET
	1H4-11311-00-00	UNAVAILABLE IN PRICE BOOK	1	
4	90179-08187-00	NUT, SPEC'L SHAPE .....	8	
5	90201-12172-00	WASHER, PLATE .....	8	
6	93210-69434-00	O-RING .....	2	
7	93211-94212-00	O-RING .....	1	
8	99590-10014-00	PIN, DOWEL .....	2	
9	95021-08055-00	BOLT, FLANGE .....	3	
10	90201-08087-00	WASHER, PLATE .....	3	
11	90338-06041-00	PLUG .....	3	
12	90430-06166-00	GASKET .....	3	
13	90340-10016-00	PLUG, STRAIGHT SCRW (383-11374-00) .....	1	
14	383-11375-00-00	NIPPLE, HOSE 1 .....	1	
15	(90445-10139-00)	HOSE .....	1	
16	(383-12498-00-00)	JOINT .....	1	
17	93210-20027-00	O-RING .....	1	
18	90105-08013-00	BOLT, WASHER BASED .....	1	
19	90210-08002-00	WASHER, SEAL .....	1	
20	383-12413-00-00	COVER, THERMOSTAT .....	1	
21	93210-40659-00	O-RING .....	1	

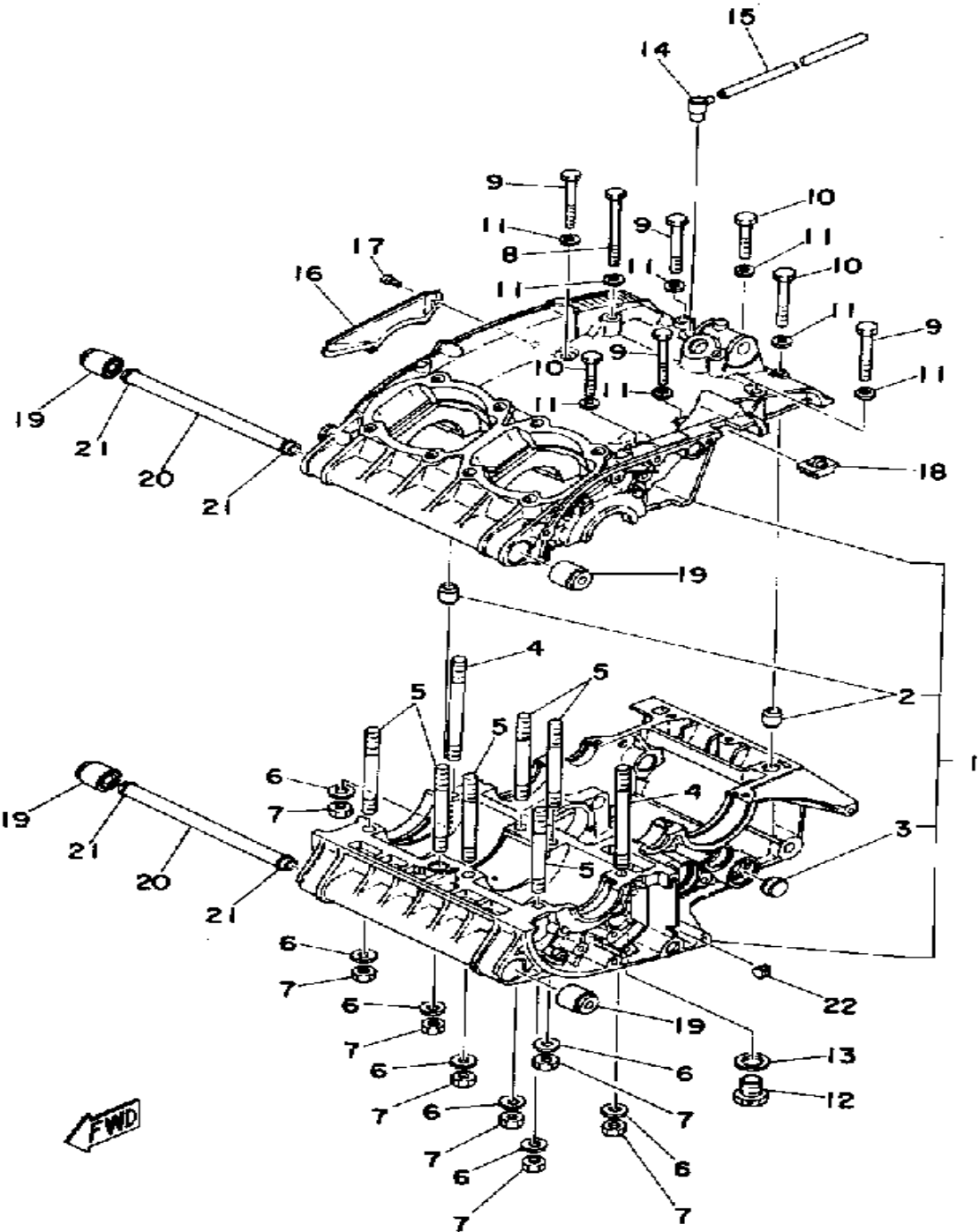
CONTINUED ON NEXT FRAME ➤

# CYLINDER HEAD-CYLINDER



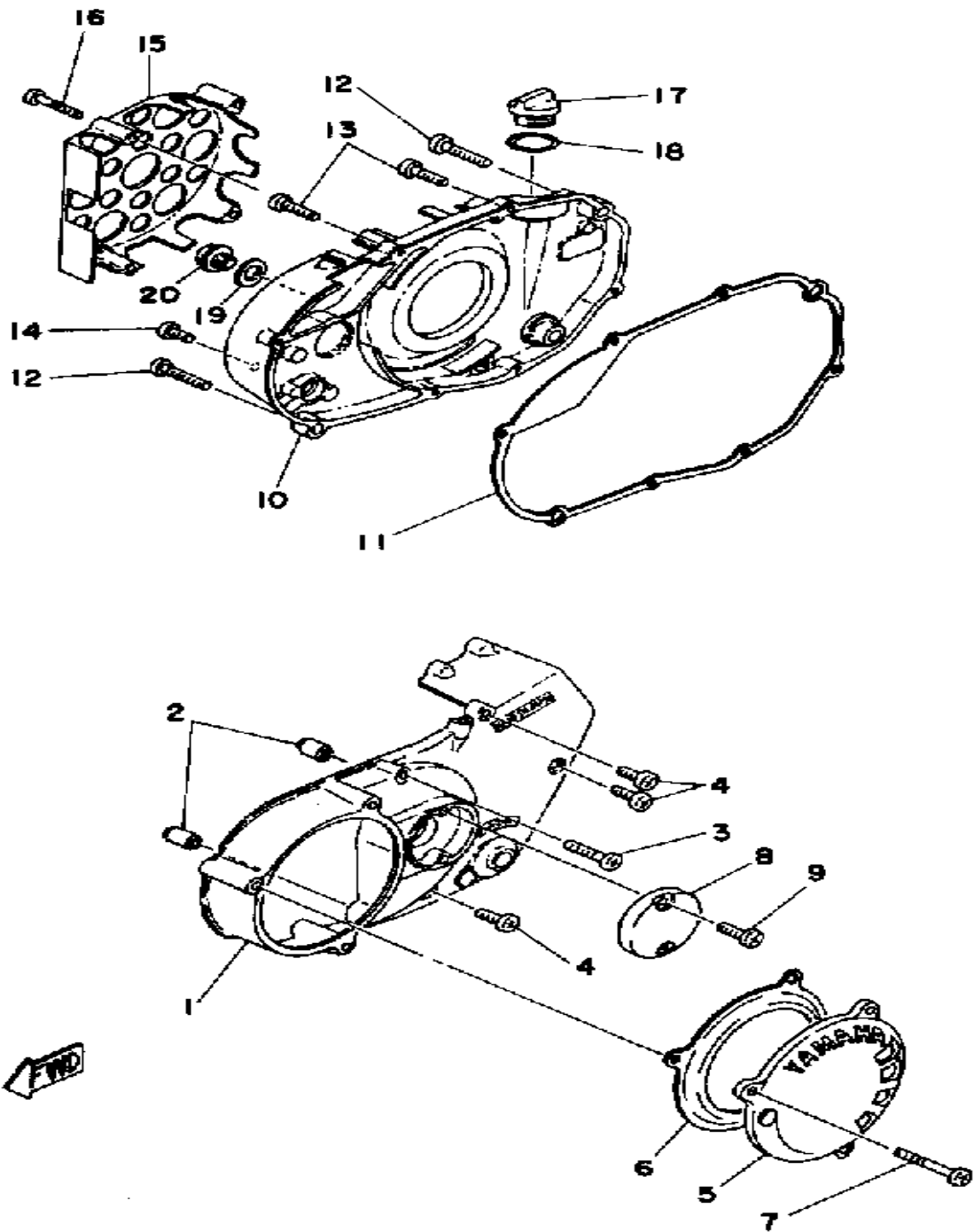
Ref. No.	Part Number	Description	Qty	Remarks
22	717-12411-00-00	THERMOSTAT .....	1	
23	93210-45150-00	O-RING .....	1	
24	98506-06016-00	SCREW, PANHEAD .....	3	
25	383-12499-00-00	JOINT .....	1	
26	90430-12207-00	GASKET .....	1	
27	(CMP-N82G0-00-00)	CHAMPION N82G 10PK .....	2	CHAMPION
	94701-00122-00	UNAVAILABLE IN PRICE BOOK (N-84G) .....	2	CHAMPION
28	(90116-08213-00)	BOLT, STUD .....	8	M8-94L
	90116-08212-00	BOLT, STUD .....	8	M8-101L

# CRANKCASE



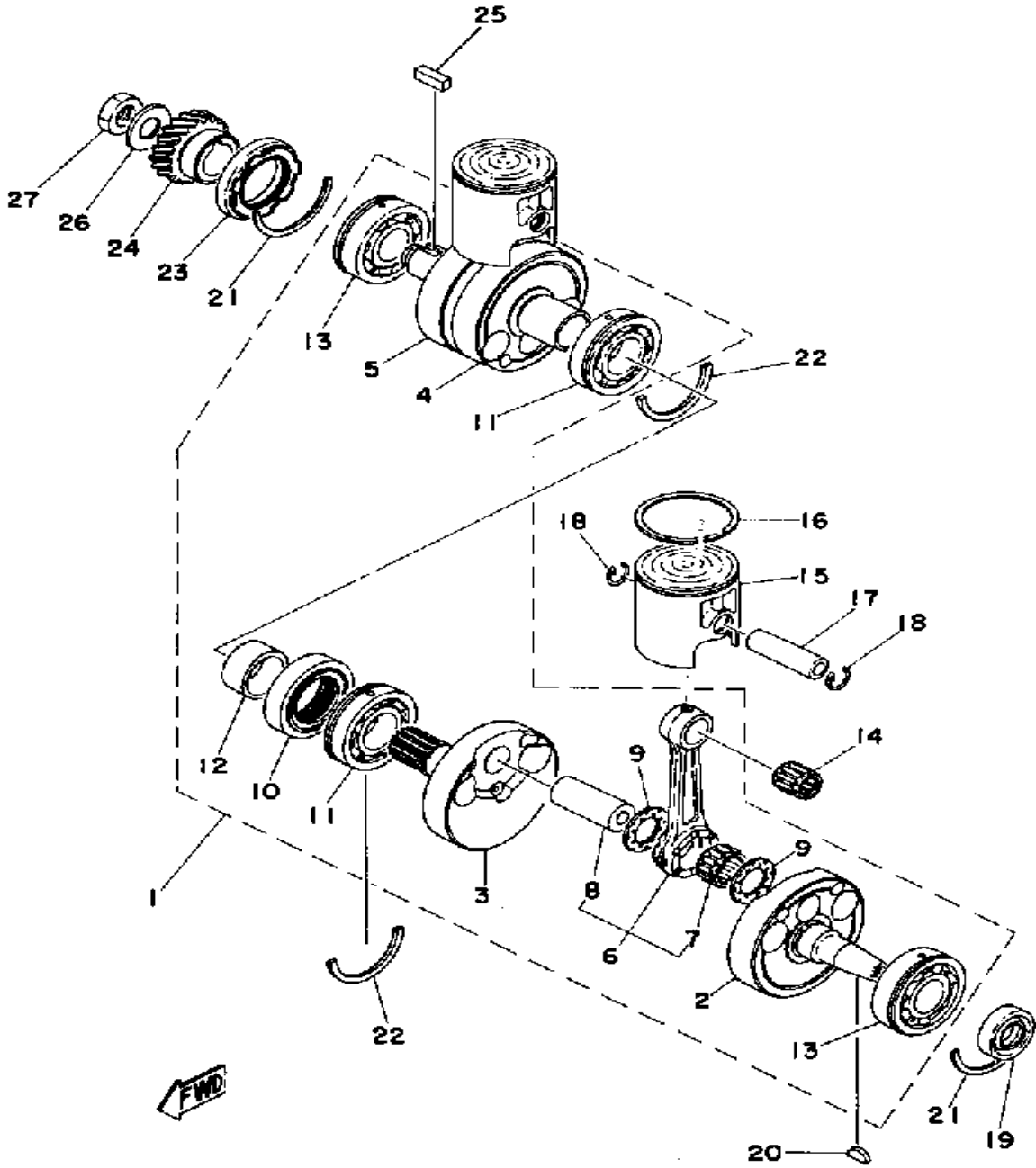
Ref. No.	Part Number	Description	Qty	Remarks
1	(1H3-15100-00-00)	CRANKCASE ASSEMBLY	1	
2	99510-12016-00	. PIN, DOWEL	2	
3	(90338-17016-00)	PLUG, SPEC'L SHAPE	1	
4	90116-08232-00	BOLT, STUD	2	M8-116L
5	90116-08064-00	BOLT, STUD	6	M8-97L
6	92990-08200-00	WASHER, PLAIN	8	
7	95333-08600-00	NUT	8	
8	97311-06090-00	BOLT, HEXAGON	1	
9	97313-06055-00	BOLT, HEXAGON (97322-06055)	4	
10	97313-06045-00	BOLT (97021-06045-00)	3	
11	92990-06200-00	WASHER	8	
12	90340-14033-00	PLUG, STRAIGHT SCRW	1	
13	137-15353-00-00	GASKET, DRAIN	1	
14	583-15371-00-00	BREATHER	1	
15	90446-07112-00	HOSE	1	
16	278-15492-01-00	COVER	1	
17	98580-05010-00	SCREW, PAN HEAD	2	
18	278-15441-00-00	HOLDER, CLCH CABLE	1	
19	328-15316-00-00	DAMPER, ENG MOUNT 1 (328-15316-00)	4	
20	328-15317-00-00	SPACER, ENG MOUNT	2	
21	93210-12131-00	O-RING	4	
22	(129-15489-10-00)	GROMMET	1	N/A

# CRANKCASE COVER



Ref. No.	Part Number	Description	Qty	Remarks
1	(1H3-15411-00-00)	COVER, CRANKCASE L	1	
2	99510-12016-00	PIN, DOWEL	2	
3	98506-06035-00	SCREW, PAN HEAD	1	
4	98516-06020-00	SCREW, PAN HEAD	4	
5	(1H3-15415-00-00)	COVER, GENERATOR	1	
6	1H3-15455-00-00	GASKET 1	1	
7	98506-06060-00	SCREW, PAN HEAD	3	
8	1A0-15417-00-00	COVER, CAP	1	
9	98516-06020-00	SCREW, PAN HEAD	2	
10	(383-15421-11-00)	COVER, CRANKCASE R	1	N/A
11	278-15461-02-00	GASKET, CRCS CVR 2	1	
12	98506-06040-00	SCREW, PAN HEAD	2	
13	98516-06030-00	SCREW, PAN HEAD	6	
14	98506-06025-00	SCREW, PAN HEAD	1	
15	(383-15416-00-00)	COVER, OIL PUMP	1	
16	98506-06040-00	SCREW, PAN HEAD	4	
17	409-15363-01-00	PLUG, OIL LEVEL (4FM-15362-00-00)	1	
18	93210-27778-00	O-RING	1	
19	137-15353-00-00	GASKET, DRAIN	1	
20	90340-14033-00	PLUG, STRAIGHT SCRW	1	
21	(1H3-15421-00-00)	COVER, CRANKCASE R	1	
22	98506-06025-00	SCREW, PAN HEAD	1	

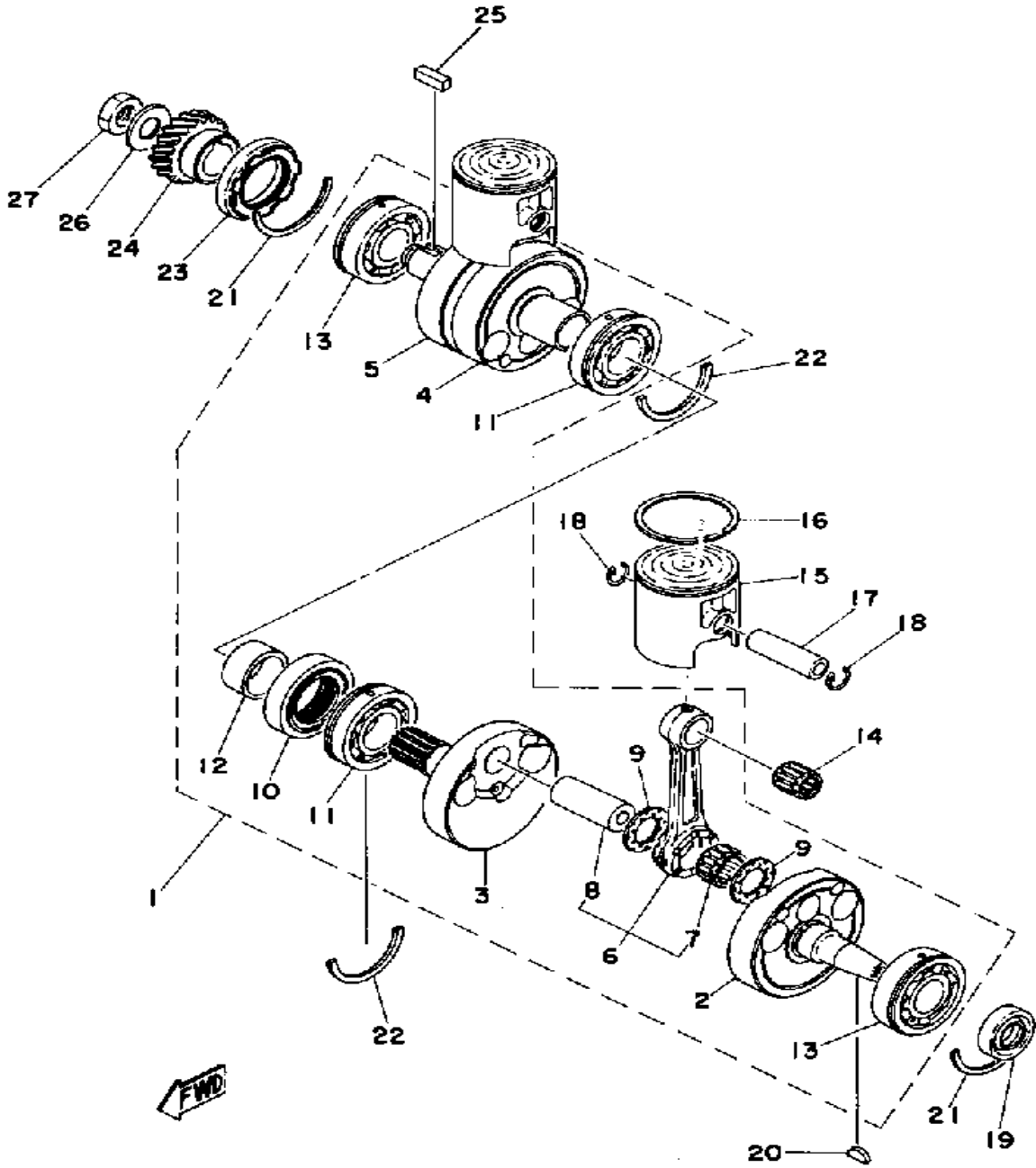
# CRANK-PISTON



Ref. No.	Part Number	Description	Qty	Remarks
1	3G2-Y1140-00-00	CRANKSHAFT ASSEMBLY	1	
2	328-11412-01-00	. CRANK 1	1	
	328-11412-02-00	. CRANK 1	1	
3	(328-11422-02-00)	CRANK 2	1	
4	(328-11432-02-00)	CRANK 3	1	
5	(328-11442-02-00)	CRANK 4	1	
6	3G2-11650-09-00	. CONNECTING ROD ASSEMBLY	2	
7	93310-422C8-00	.. BEARING, CYLINDER.	2	
8	8G8-11681-00-00	.. PIN, CRANK 1	2	
9	90209-22248-00	. WASHER	4	
10	328-11515-00-00	. SEAL, LABYRINTH 1	1	
11	93306-20614-00	. BEARING	2	
12	90387-32204-00	. COLLAR (328-11513-00)	1	
13	93390-00012-00	. BEARING, CYLINDER. # 0	2	
14	93310-216E1-00	BEARING	2	
	93310-216L2-00	BEARING, CYLINDRICAL	2	
15	1H4-11631-00-96	UNAVAILABLE IN PRICE BOOK (63.96MM)	1	INTERCHANGEABLE WITH1H4-11631-01-XX
	1H4-11631-00-96	UNAVAILABLE IN PRICE BOOK (63.96MM)	2	INTERCHANGEABLE WITH1H4-11631-01-XX
	1H4-11631-00-97	UNAVAILABLE IN PRICE BOOK (63.97MM)	1	
	1H4-11631-01-96	UNAVAILABLE IN PRICE BOOK (63.96MM)	1	INTERCHANGEABLE WITH1H4-11631-02-XX
	1H4-11631-01-96	UNAVAILABLE IN PRICE BOOK (63.96MM)	2	INTERCHANGEABLE WITH1H4-11631-02-XX
	1H4-11631-01-97	UNAVAILABLE IN PRICE BOOK (63.97MM)	1	

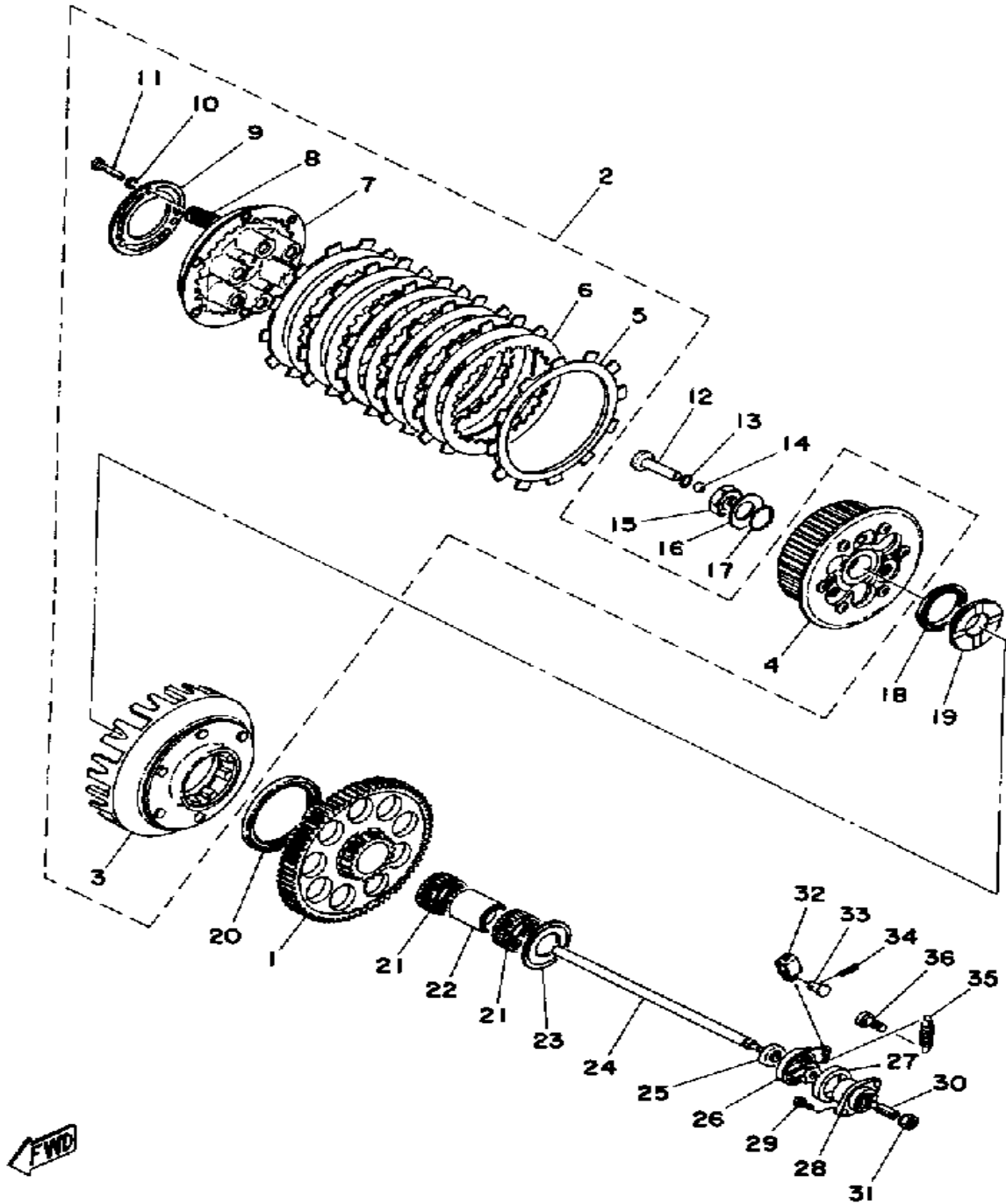
CONTINUED ON NEXT FRAME ➤

# CRANK-PISTON



Ref. No.	Part Number	Description	Qty	Remarks
15	1H4-11631-02-96	PISTON STD (63.96MM) .....	1	
	1H4-11631-02-97	UNAVAILABLE IN PRICE BOOK (63.97MM) .....	2	
	430-11631-01-96	PISTON STD (53.97MM) .....	1	
	430-11631-01-96	PISTON STD (53.97MM) .....	2	
16	328-11611-00-00	RING, PISTON STD .....	2	
	329-11611-00-00	RING, PISTON STD .....	2	
17	280-11633-00-00	PIN, PISTON .....	2	
	4L0-11633-00-00	PIN, PISTON .....	2	
18	93450-17025-00	CIRCLIP .....	4	
19	93103-20076-00	OIL SEAL, SW-TYPE .....	1	
20	90280-04005-00	KEY, WOODRUFF .....	1	
21	328-17424-00-00	CIRCLIP 1 .....	2	
22	278-17424-01-00	CIRCLIP 1 .....	2	
23	93103-40077-00	OIL SEAL .....	1	
24	328-16111-00-00	GEAR, PRI DRIVE (25T) .....	1	
25	90282-07023-00	KEY, STRAIGHT .....	1	
26	214-16119-00-00	SPRING, BELLEVILLE .....	1	
27	90170-16182-00	NUT .....	1	

# CLUTCH



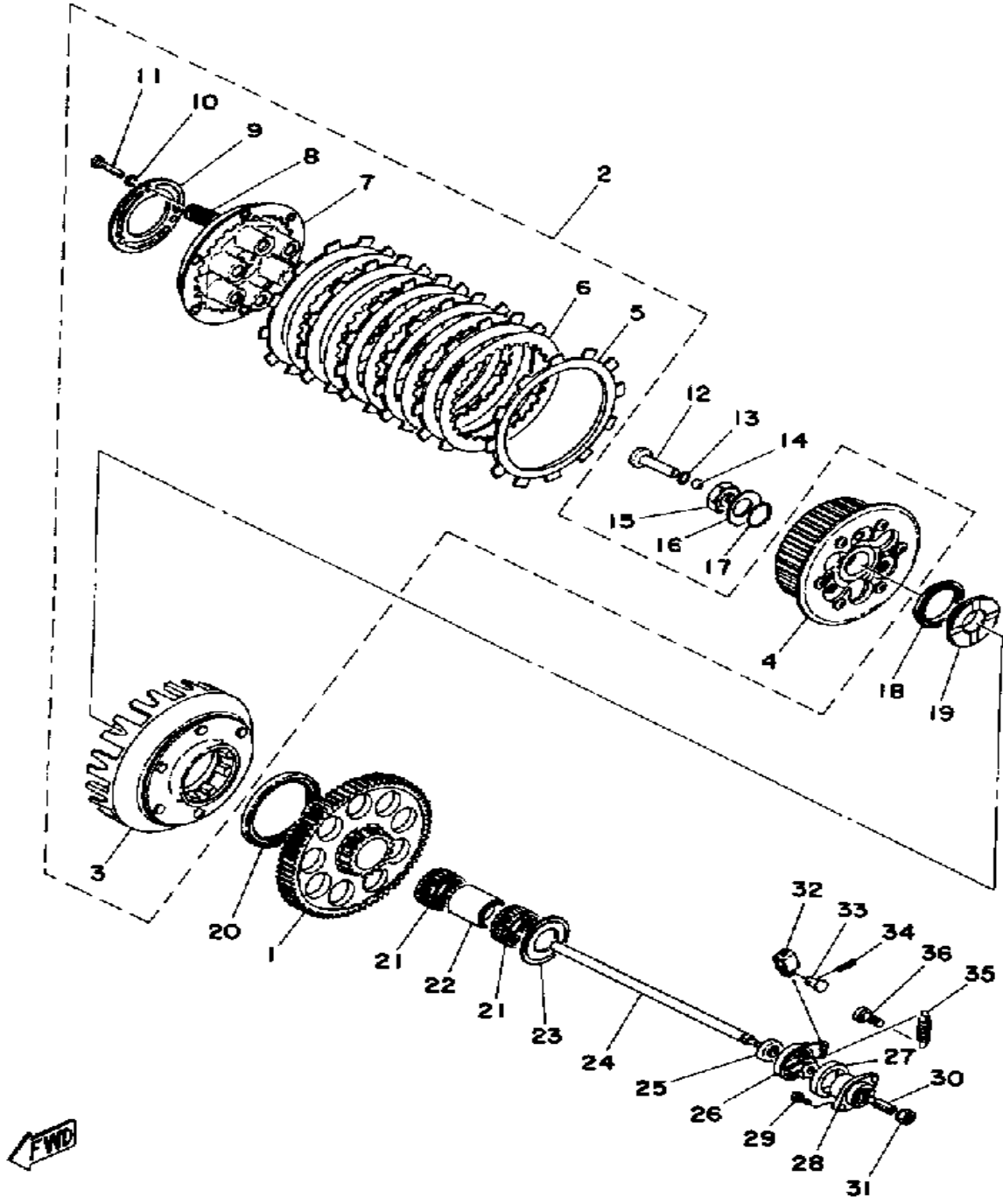
Ref. No.	Part Number	Description	Qty	Remarks
1	(1H3-16170-00-00)	PRI DRVN GEAR .....	1	
	(1H4-16170-00-00)	PRI DRVN GEAR .....	1	
2	1H3-16301-10-00	CLUTCH ASSEMBLY .....	1	
3	(1H3-16160-10-00)	BUFFER BOSS ASSEMBLY ...	1	
4	328-16370-10-00	. CLUTCH BOSS ASSEMBLY ..	1	
5	383-16321-10-00	. PLATE, FRICTION .....	6	
6	328-16324-10-00	. PLATE, CLUTCH 1 .....	5	
7	(328-16350-10-00)	PRESSURE PLATE ASSEMBLY	1	N/A
8	90501-23138-00	. SPRING, COMPRESSION ....	6	
9	(328-16352-00-00)	PLATE, PRESSURE 2 .....	1	
10	92995-06100-00	. WASHER, SPRING .....	3	
11	97011-06025-00	. BOLT (97001-06025) .....	3	
12	174-16356-00-00	ROD, PUSH 1 .....	1	
13	93210-09350-00	O-RING .....	1	
14	93505-16006-00	BALL .....	1	
15	90170-18089-00	NUT, HEXAGON .....	1	
16	214-16119-00-00	SPRING, BELLEVILLE .....	1	
17	93210-22298-00	O-RING .....	1	
18	93107-40006-00	OIL SEAL, OS-TYPE .....	1	
19	(328-16182-10-00)	SPACER 2 .....	1	
20	93102-66439-00	OIL SEAL, S-TYPE .....	1	
21	93310-23356-00	BEARING, CYLINDER.# 0 ....	2	
22	278-16181-01-00	SPACER 1 .....	1	
23	360-16154-00-00	PLATE, THRUST 1 .....	1	
24	1H3-16357-00-00	ROD, PUSH 2 .....	1	
25	93109-08061-00	OIL SEAL .....	1	
26	360-16340-00-00	PUSH LEVER ASSEMBLY ....	1	
27	214-16347-01-00	SEAL, DUST .....	1	
28	371-16396-00-00	HOUSING, PUSH SCREW ....	1	

CONTINUED ON NEXT FRAME ►

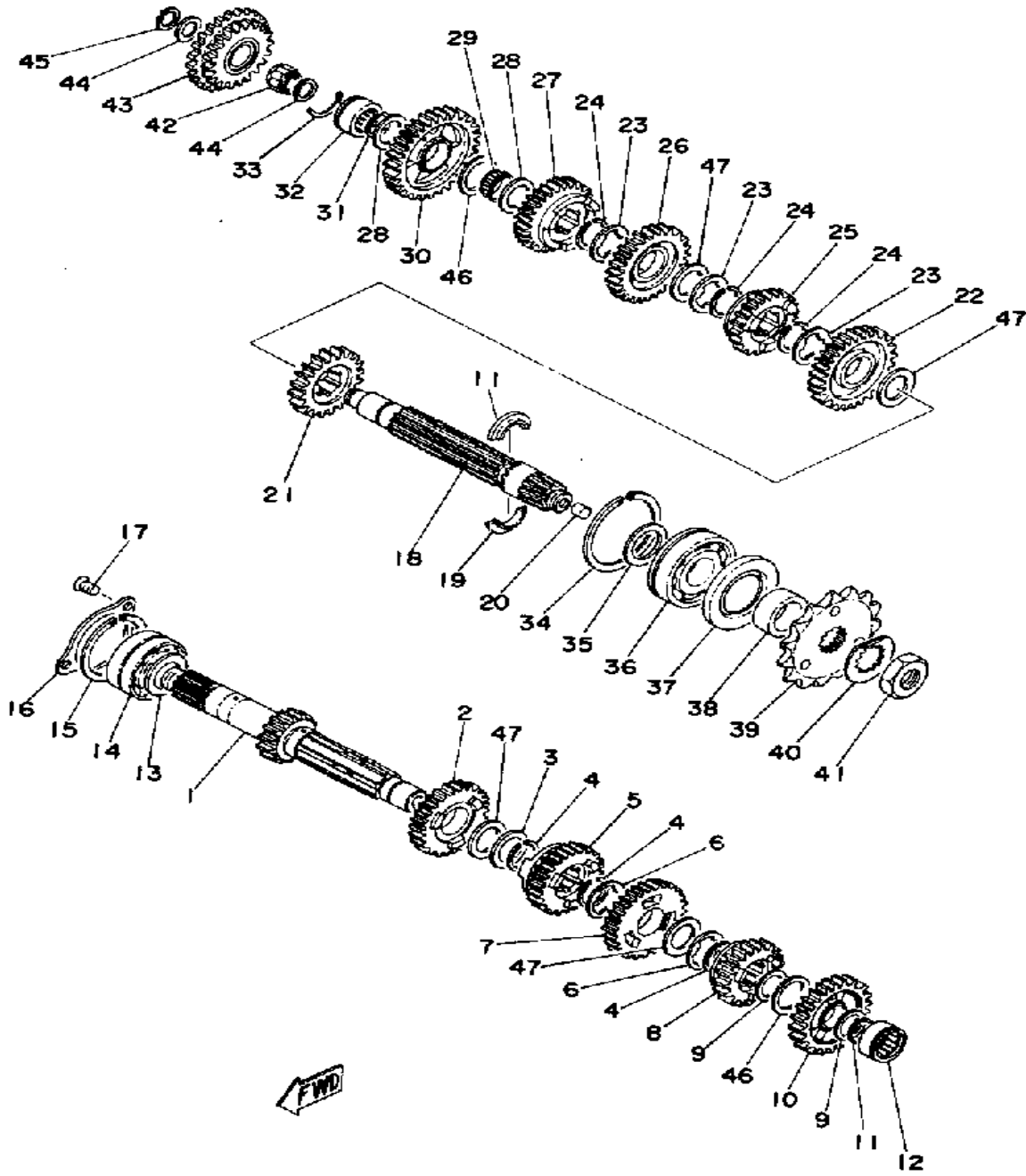


# CLUTCH

Ref. No.	Part Number	Description	Qty	Remarks
29	98580-05012-00	SCREW, PAN HEAD	2	
30	90113-08021-00	BOLT, SET	1	
31	90179-08179-00	NUT	1	
32	214-16389-00-00	JOINT	1	
33	90240-06005-00	PIN, CLEVIS	1	
34	91401-10015-00	PIN, COTTER	1	
35	90506-10023-00	SPRING, TENSION	1	
36	132-16346-00-00	HOOK, SPRING	1	



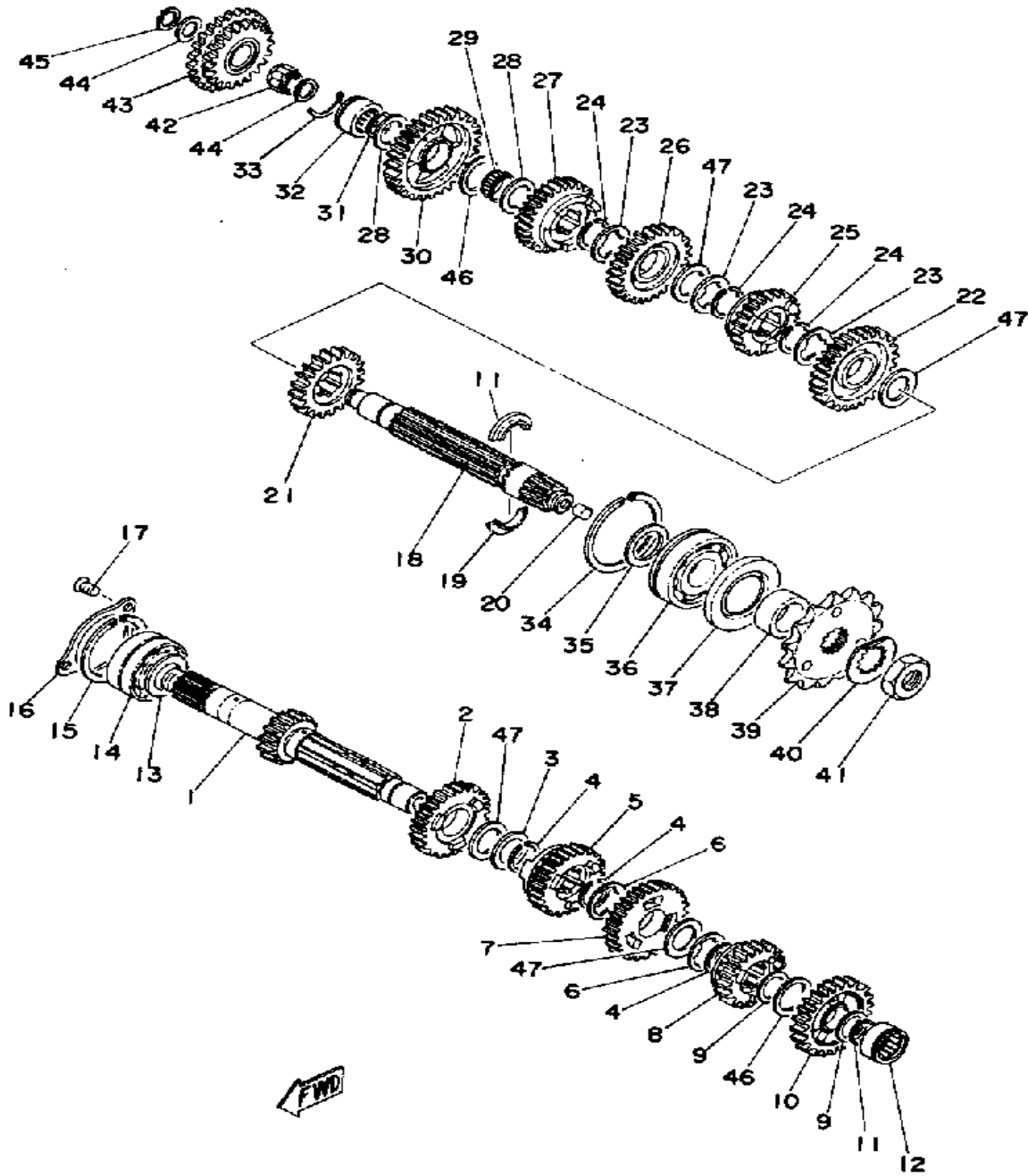
# TRANSMISSION



Ref. No.	Part Number	Description	Qty	Remarks
1	328-17411-00-00	AXLE, MAIN	1	
2	(328-17141-00-00)	GEAR, 4TH PINION	1	
3	90201-25490-00	WASHER, PLATE	1	
4	93440-25084-00	CIRCLIP	3	
5	328-17131-00-00	GEAR, 3RD PINION	1	
6	90209-21105-00	WASHER	2	
7	(328-17161-00-00)	GEAR, 6TH PINION	1	
8	(328-17121-00-00)	GEAR, 2ND PINION	1	
9	90201-20266-00	WASHER, PLATE (1.0T)	2	
10	(328-17151-00-00)	GEAR, 5TH PINION	1	
11	99009-20400-00	CIRCLIP	1	
12	93311-22027-00	BEARING, CYLINDRICAL	1	
13	168-17428-01-03	SHIM 2 (25-34-0.3)	1	
	168-17428-01-05	SHIM 2 (25-34-0.5)	1	
14	93305-20502-00	BEARING (93305-20508-00)	1	
15	93440-52009-00	CIRCLIP	1	
16	360-17471-00-00	PLATE, COVER	1	
17	98701-06014-00	SCREW, FLAT HEAD	3	
18	(328-17421-01-00)	AXLE, DRIVE	1	
19	156-17429-00-00	SPACER, DRIVE AXLE	2	
20	(90336-09002-00)	PLUG, TAPER	1	
21	(328-17251-00-00)	GEAR, 5TH WHEEL	1	
22	(328-17221-00-00)	GEAR, 2ND WHEEL	1	
23	90209-21105-00	WASHER	3	
24	93440-25084-00	CIRCLIP	3	
25	(328-17261-00-00)	GEAR, 6TH WHEEL	1	
26	328-17231-00-00	GEAR, 3RD WHEEL	1	
27	(328-17241-00-00)	GEAR, 4TH WHEEL	1	
28	90201-20276-00	WASHER, PLATE (1.0T)	2	

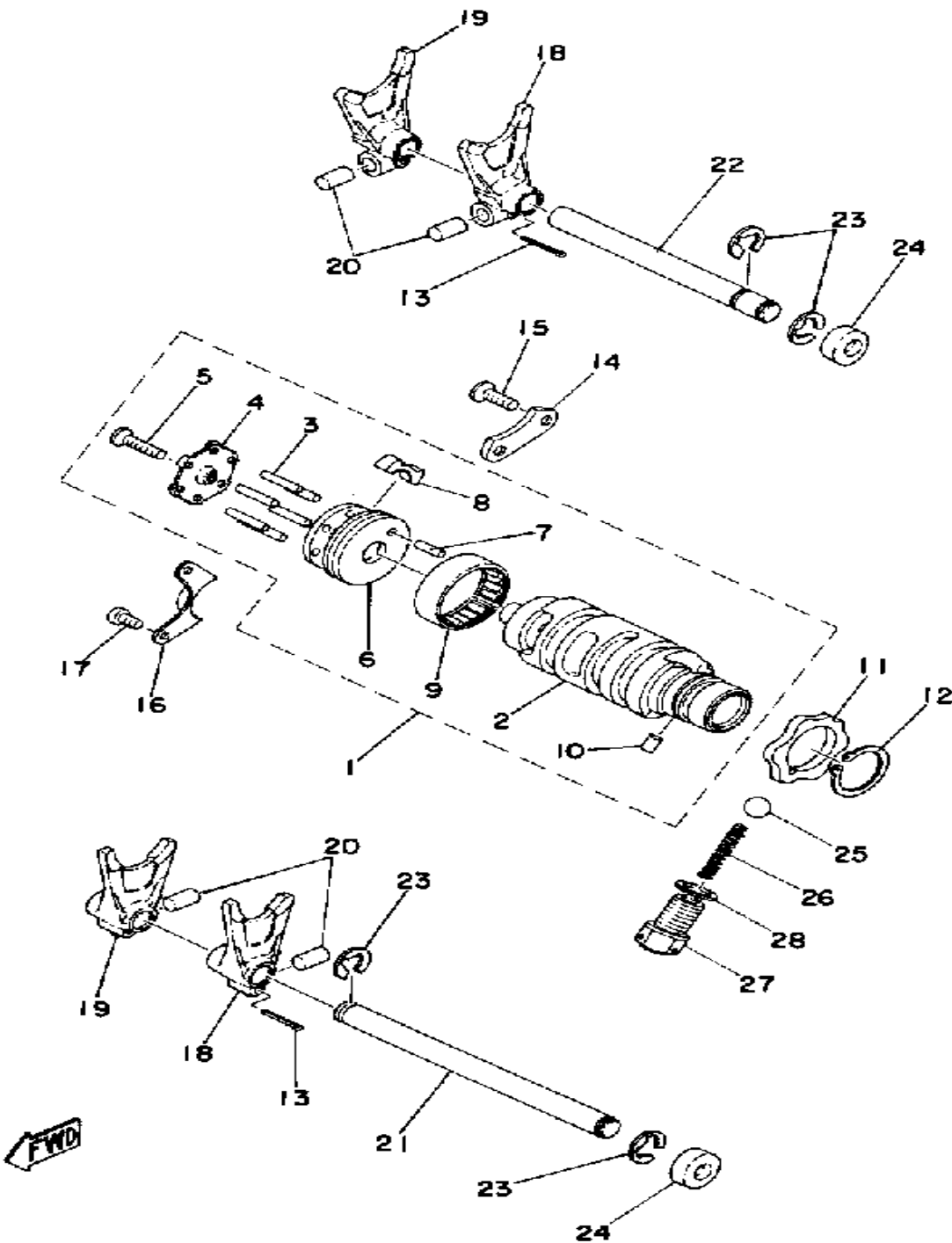
CONTINUED ON NEXT FRAME ➤

# TRANSMISSION



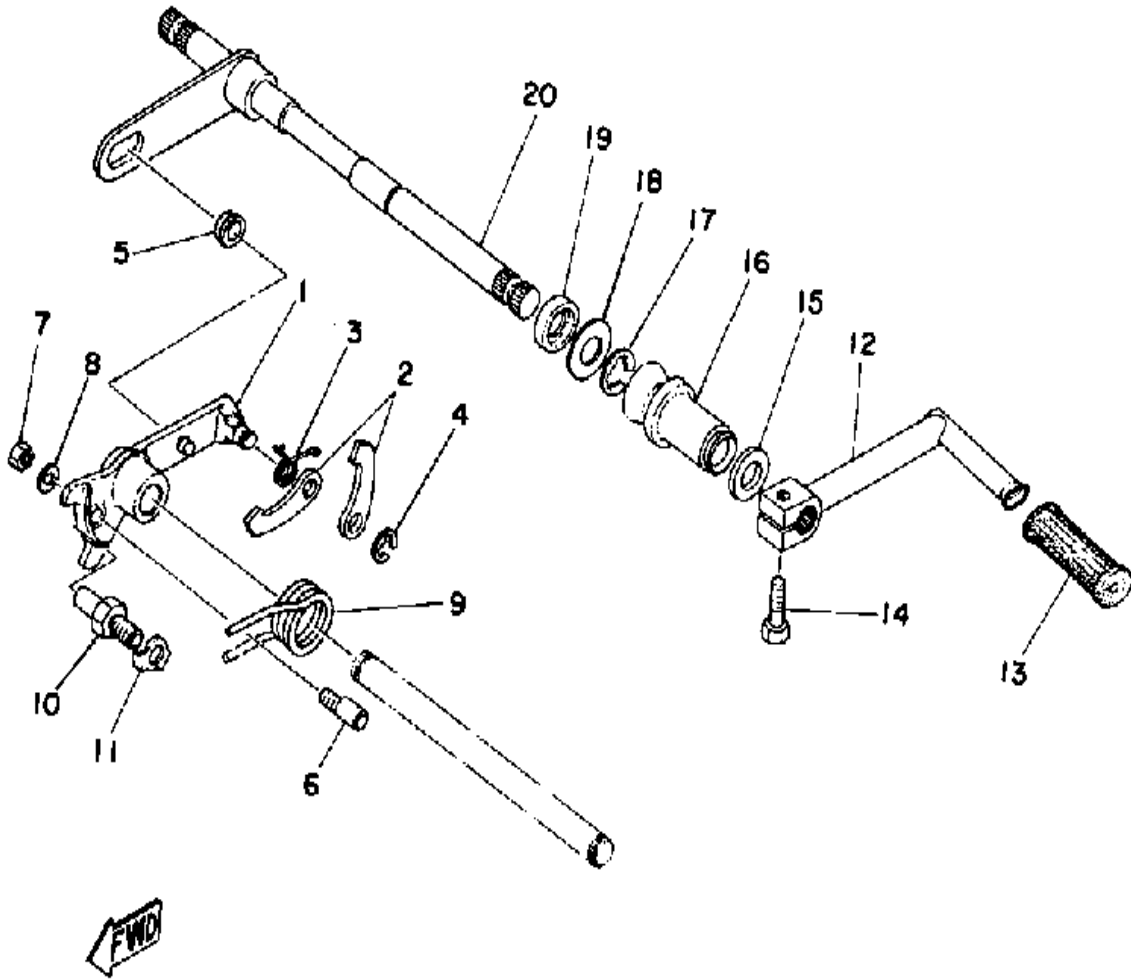
Ref. No.	Part Number	Description	Qty	Remarks
29	93310-22057-00	BEARING (K20-24X10 S)	1	
30	(328-17211-00-00)	GEAR, 1ST WHEEL	1	
31	99009-20400-00	CIRCLIP	1	
32	93311-42045-00	BEARING (20NG3315NE)	1	
33	278-17425-00-00	CIRCLIP 2	1	
34	168-17428-01-03	SHIM 2 (25-34-0.3)	1	
	168-17428-01-05	SHIM 2 (25-34-0.5)	1	
35	278-17424-01-00	CIRCLIP 1	1	
36	93306-30506-00	BEARING (B6305N) (93306-30504-00)	1	
37	93102-35109-00	OIL SEAL (SD-35-62-6 HS)	1	
38	90387-25192-00	COLLAR	1	
39	(9383E-17122-00)	SPROCKET, DRIVE	1	
	170-17461-60-00	SPROCKET, DRIVE	1	STD
	9383E-15083-00	SPROCKET, DRIVE	1	
40	90215-21022-00	WASHER, LOCK	1	
41	90179-18020-00	NUT	1	
42	(93310-21564-00)	BEARING, CYLINDER.# 0	1	
43	(278-15650-00-00)	IDLE GEAR ASSEMBLY	1	
44	90201-154E8-00	WASHER, PLATE (1.0T)	2	
45	99009-15400-00	CIRCLIP	1	
46	156-17417-00-01	SHIM 1		
	156-17417-00-02	SHIM 1 (25.1-31-0.2)	1	
	156-17417-00-03	SHIM 1		
47	328-17427-00-01	SHIM 1		
	328-17427-00-02	SHIM 1	1	
	328-17427-00-03	SHIM 1		

# SHIFTER 1



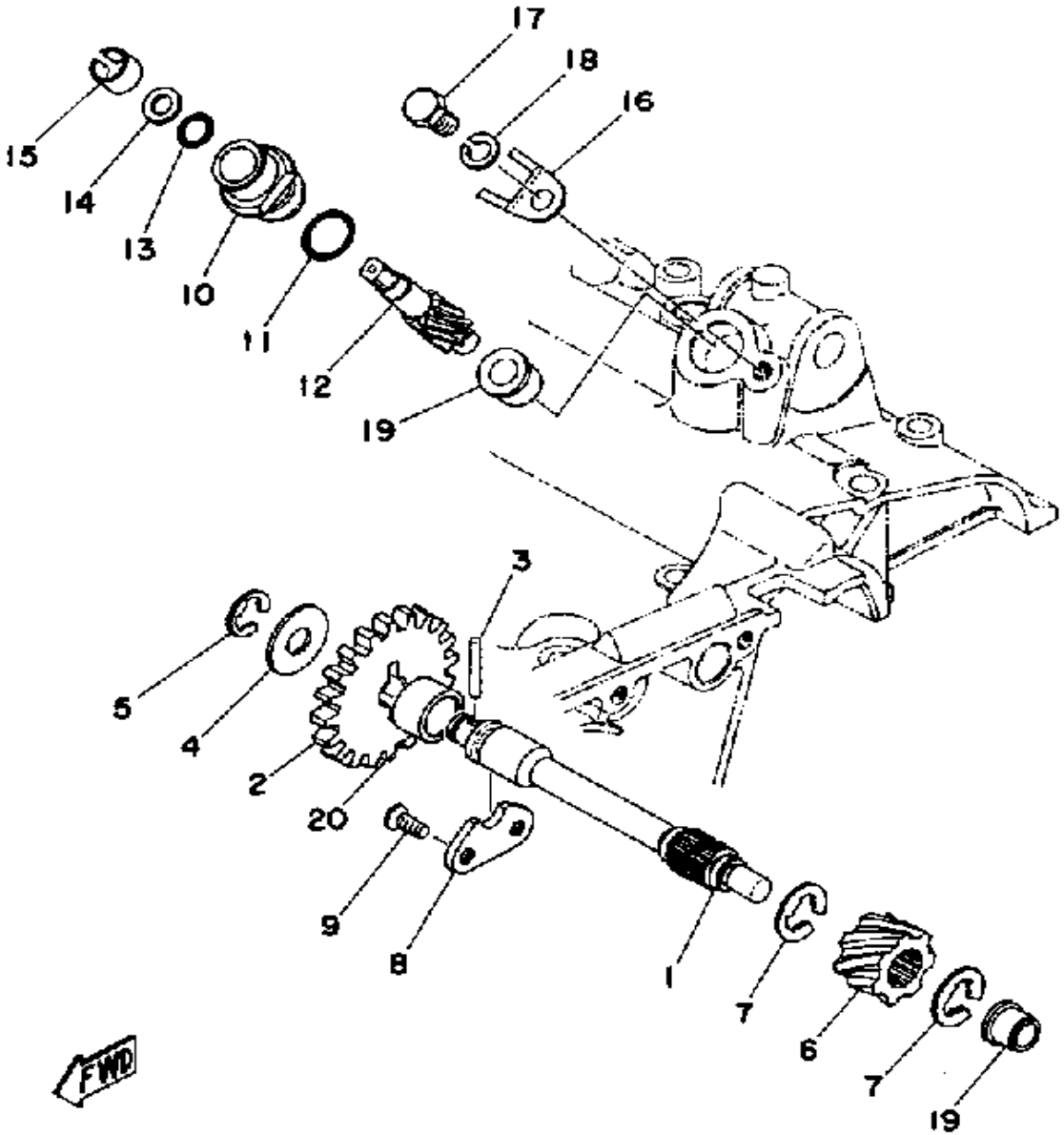
Ref. No.	Part Number	Description	Qty	Remarks
1	(328-18540-10-00)	SHIFT CAM ASSEMBLY	1	N/A
2	(328-18540-10-00)	SHIFT CAM ASSEMBLY	1	
3	93604-22050-00	. PIN, DOWEL	6	
4	328-18561-00-00	. PLATE, SIDE 1	1	
5	98701-05020-00	. SCREW, FLAT HEAD	1	
6	(328-18185-00-00)	SEGMENT	1	
7	93604-14012-00	. PIN, DOWEL	1	
8	(328-18352-10-00)	PLATE, PAWL	1	
9	93315-23612-00	. BEARING	1	
10	93604-08071-00	. PIN, DOWEL	1	
11	(328-18141-00-00)	PLATE, STOPPER	1	
12	99009-30400-00	CIRCLIP	1	
13	91401-25030-00	PIN, COTTER	4	
14	(328-18562-00-00)	PLATE, STOPPER 2	1	
15	98701-06014-00	SCREW, FLAT HEAD	2	
16	328-18179-00-00	GUIDE	1	
17	98580-05010-00	SCREW, PAN HEAD	2	
18	328-18511-01-00	FORK, SHIFT 1	2	
19	328-18512-01-00	FORK, SHIFT 2	2	
20	90250-08017-00	PIN, STRAIGHT	4	
21	278-18531-00-00	BAR, SHIF FRK GDE 1	1	
22	(278-18535-00-00)	BAR, SHIF FRK GDE 2	1	
23	99006-10600-00	CIRCLIP	4	
24	90338-22021-00	PLUG, SPEC'L SHAPE (371-18149-00)	2	
25	93505-16006-00	BALL	1	
26	90501-10062-00	SPRING, COMPRESSION	1	
27	(90149-14066-00)	SCREW, SPEC'L SHAPE	1	
28	137-15353-00-00	GASKET, DRAIN	1	

# SHIFTER 2



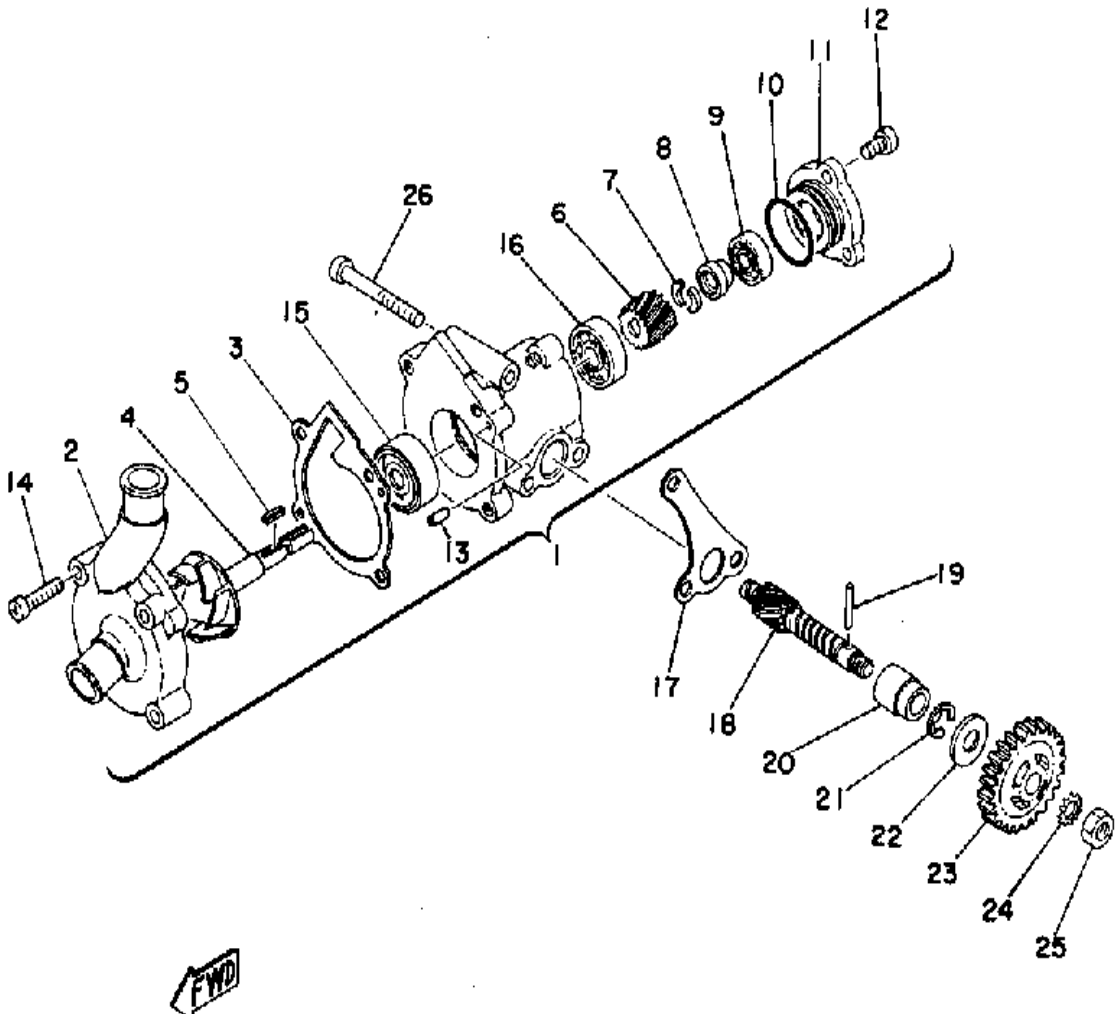
Ref. No.	Part Number	Description	Qty	Remarks
1	328-18128-00-00	BRACKET	1	
2	(328-18151-00-00)	LEVER, SHIFT 3	2	
3	90508-08007-00	SPRING, TORSION (214-18123-00)	1	
4	99080-07600-00	CIRCLIP (E)	1	
5	214-18178-00-00	ROLLER, SHIFT LEVER	1	
6	90149-06017-00	SCREW, SPEC'L SHAPE (214-18186-00)	1	
7	95380-06600-00	NUT	1	
8	92995-06100-00	WASHER, SPRING	1	
9	90508-32055-00	SPRING, TORSION	1	
10	278-18127-00-00	STOPPER, SCREW	1	
11	90215-08015-00	WASHER, LOCK (214-18139-00)	1	
12	(1H3-18111-00-93)	PEDAL, SHIFT	1	
13	240-18113-00-00	COVER, SHIFT PEDAL	1	
14	97011-06020-00	BOLT	1	
15	170-18132-00-00	SEAL, SHIFT SHAFT	1	
16	278-18131-00-00	BOOT, SEALING	1	
17	99006-10600-00	CIRCLIP	1	
18	90201-12575-00	WASHER, PLATE	1	
19	93102-12321-00	OIL SEAL, SD-TYPE	2	
20	383-18101-01-00	CHANGE SHAFT ASSEMBLY	1	

# TACHOMETER GEAR



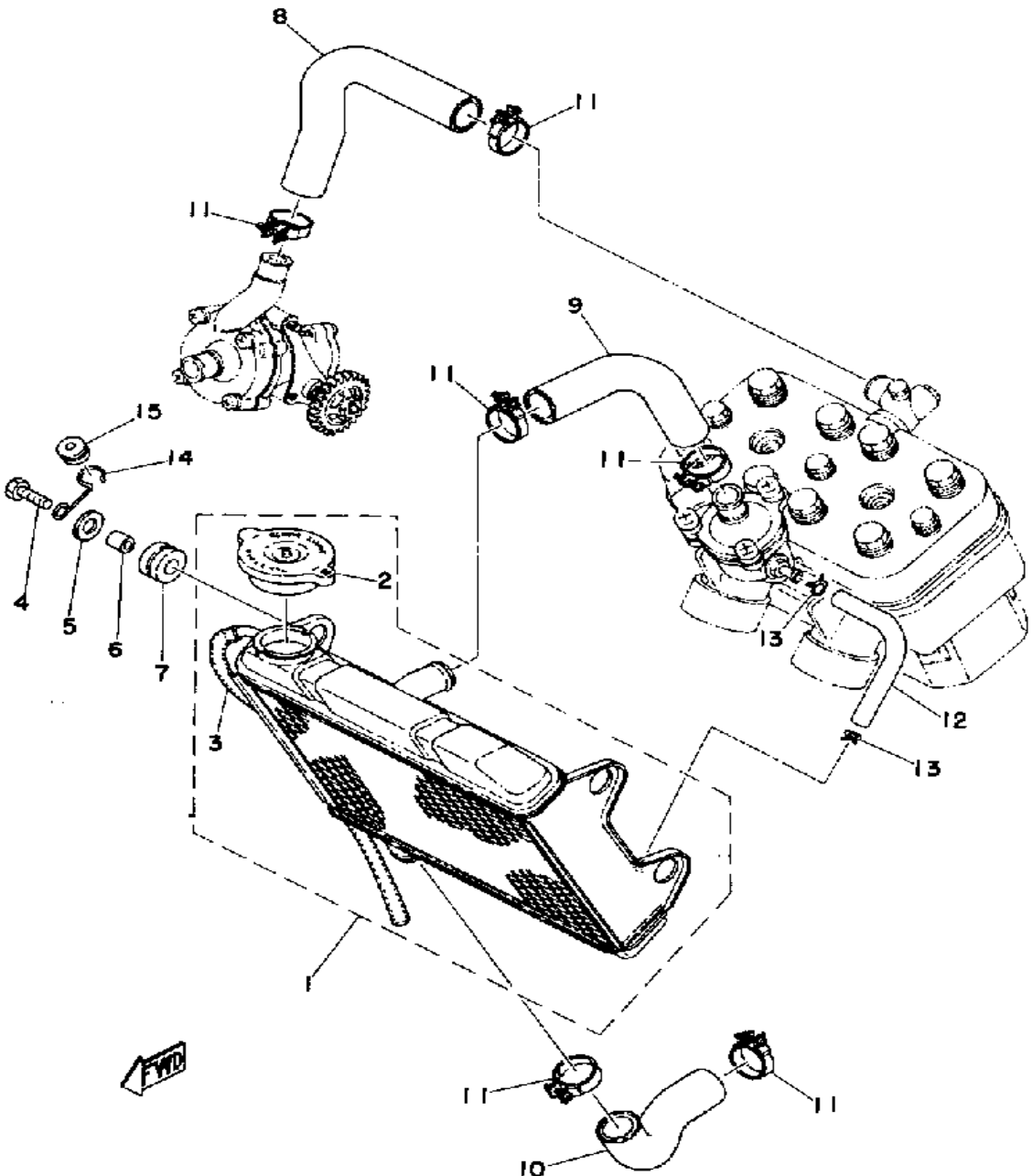
Ref. No.	Part Number	Description	Qty	Remarks
1	(278-17861-00-00)	AXLE, DRIVE GEAR .....	1	
2	278-17851-00-00	GEAR, PRIMARY (20T) .....	1	
3	93603-22028-00	PIN, DOWEL .....	1	
4	90201-105J4-00	WASHER, PLATE (90201-106H1) .....	1	
5	99001-08600-00	CIRCLIP .....	1	
6	(278-17831-00-00)	GEAR, DRIVE .....	1	
7	99006-10600-00	CIRCLIP .....	2	
8	(278-17812-00-00)	STOPPER .....	1	
9	98701-05012-00	SCREW, FLAT HEAD .....	2	
10	353-17810-00-00	HOUSING ASSEMBLY, TACH (214-17811-01) .....	1	
11	93210-13016-00	O-RING .....	1	
12	214-17841-01-00	GEAR, DRIVEN .....	1	
13	93210-07100-00	O-RING .....	1	
14	214-17847-00-00	SHIM (7.5-10.8-0.4) .....	1	
15	90383-10005-00	BUSH, FORMED (214-17815-00) 0 1 .....	1	
16	5U7-17812-00-00	STOPPER .....	1	
17	97011-06010-00	BOLT .....	1	
18	92995-06100-00	WASHER, SPRING .....	1	
19	90381-08002-00	BUSHING (214-17843-00) .....	2	
20	(90380-14040-00)	BUSH, SOLID .....	1	

# WATER PUMP



Ref. No.	Part Number	Description	Qty	Remarks
1	(383-12420-00-00)	WATER PUMP ASSEMBLY	1	
2	(383-12422-00-00)	COVER, HOUSING	1	
3	383-12428-00-00	. GASKET, HSNQ CVR 2	1	
4	(383-12450-00-00)	IMPELLER SHAFT ASSEMBLY	1	
5	(90282-03012-00)	KEY, STRAIGHT	1	
6	(383-12459-00-00)	GEAR, IMPELLER SHAF	1	
7	(383-12424-00-00)	PLATE, CRTRGE INNER	2	
8	(383-12423-00-00)	CARTRIDGE, WTR PUMP	1	
9	93300-60814-00	. BEARING (608M4ML01)	1	
10	93210-27ME3-00	. O-RING	1	
11	(383-12432-00-00)	CAP, HOUSING	1	
12	98516-06012-00	. SCREW, PAN HEAD	3	
13	93604-10011-00	. PIN, DOWEL	2	
14	98506-06025-00	. SCREW, PAN HEAD	4	
15	93103-10168-00	. OIL SEAL	1	
16	93306-20005-00	. BEARING (B6200)	1	
17	383-12427-00-00	GASKET, HSNQ CVR 1	1	
18	(383-12436-00-00)	GEAR, DRIVE	1	
19	93603-22028-00	PIN, DOWEL	1	
20	1E7-13176-00-00	METAL, WRM SHAF OTR	1	
21	99001-08600-00	CIRCLIP	1	
22	90201-105J4-00	WASHER, PLATE (90201-106H1)	1	
23	(329-13178-00-00)	GEAR, PUMP DRIVE	1	
24	92901-08400-00	WASHER, EX.TOOTH	1	
25	95303-08700-00	NUT	1	
26	98506-06050-00	SCREW, PAN HEAD	3	

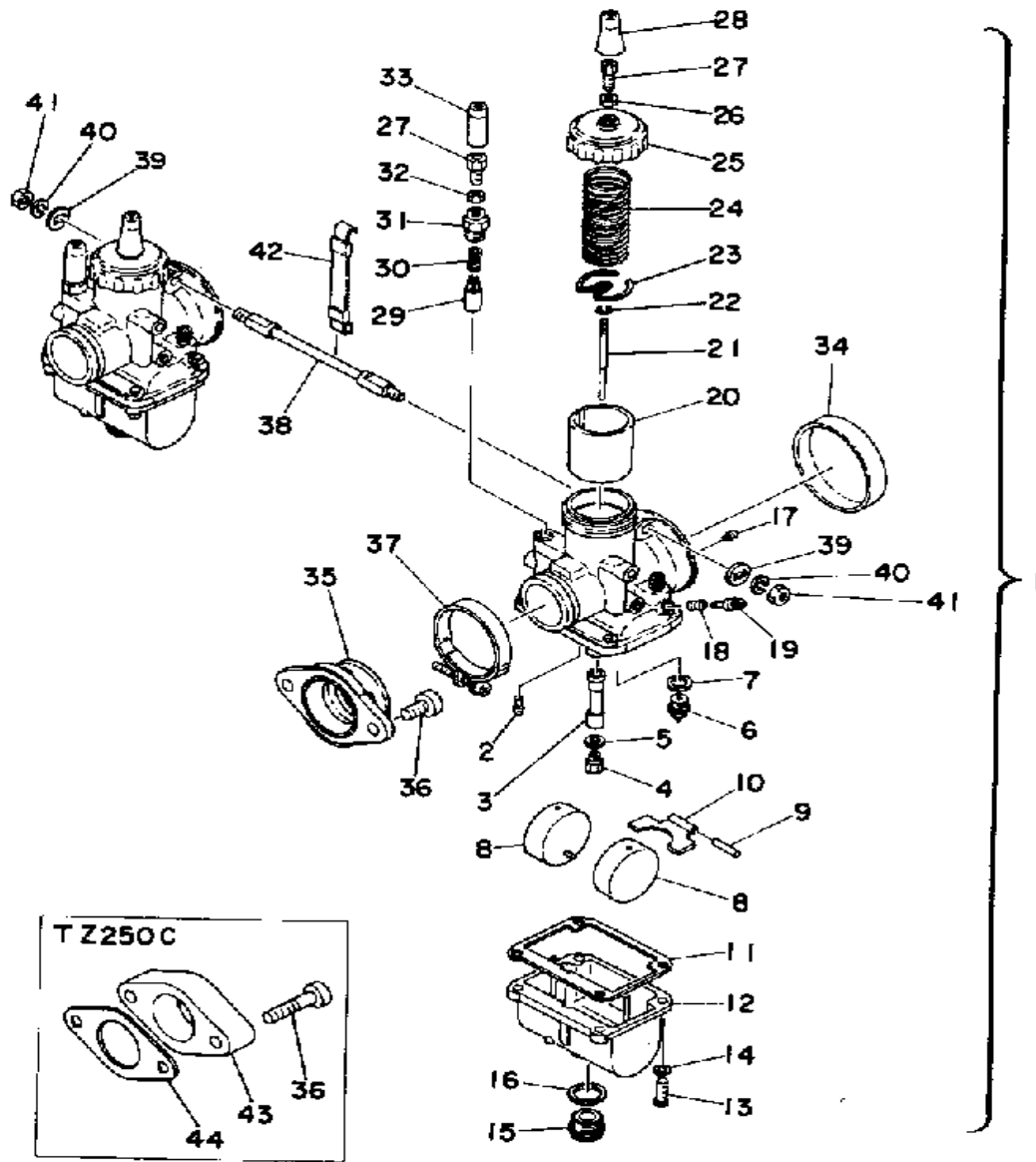
# RADIATOR



Ref. No.	Part Number	Description	Qty	Remarks
1	(383-12460-01-00)	RADIATOR ASSEMBLY	1	
2	11H-12462-00-00	. CAP, RADIATOR	1	
3	(383-12463-00-00)	PIPE, BREATHER	1	
4	(90103-08015-00)	BOLT, HEAD W/HOLE	4	N/A
5	(90201-09368-00)	WASHER, PLATE	4	
6	90387-08060-00	COLLAR	4	
7	90480-20131-00	GROMMET	4	
8	(383-12481-00-00)	PIPE 1	1	
9	(1H3-12482-00-00)	PIPE 2	1	
10	(1H3-12484-01-00)	PIPE 4	1	
11	90460-38292-00	CLAMP, HOSE	6	
12	(1H3-12483-00-00)	PIPE 3	1	
13	90460-11002-00	CLAMP, HOSE	2	



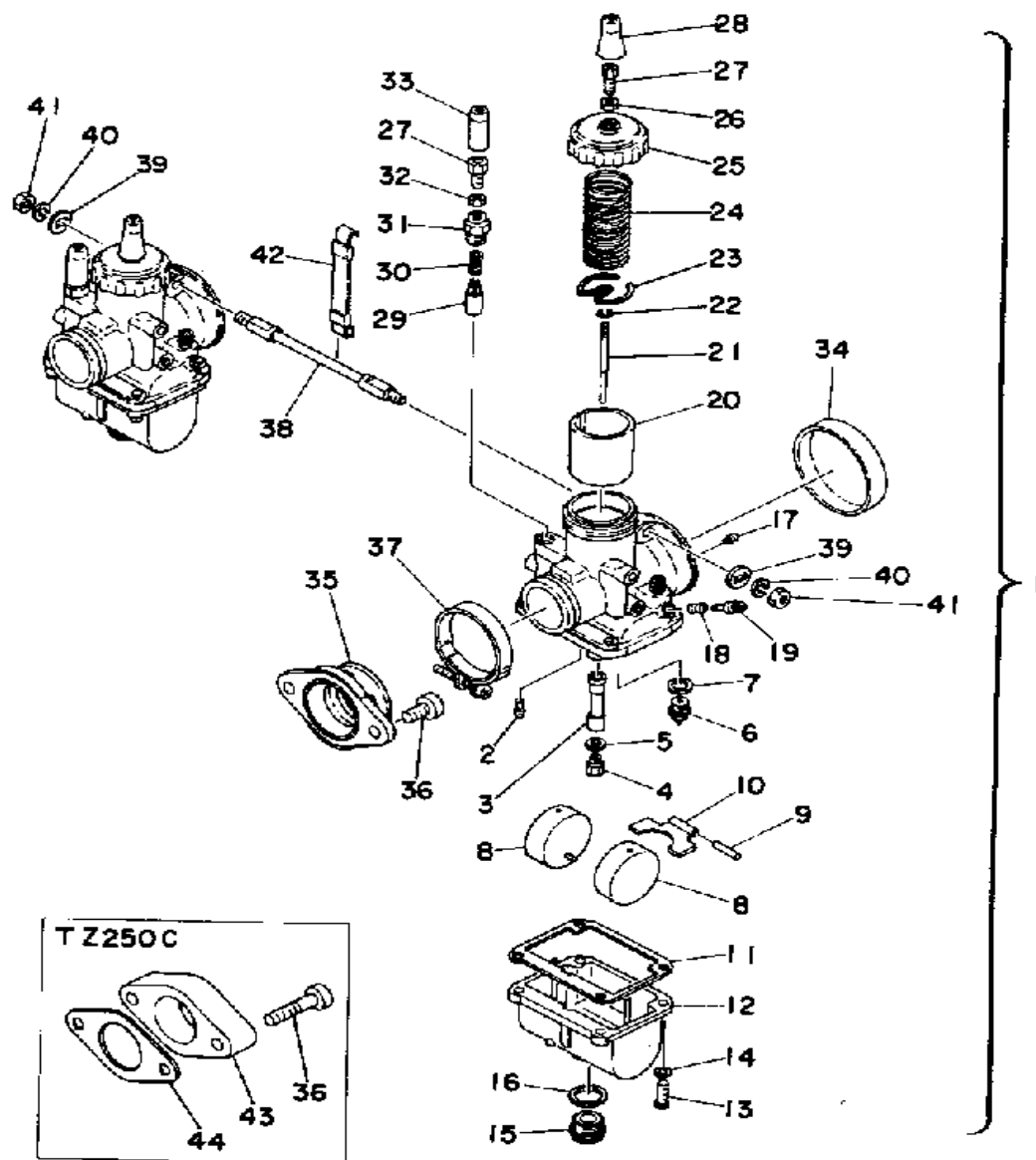
# CARBURETOR



Ref. No.	Part Number	Description	Qty	Remarks
1	(1H3-14101-01-00)	CARBURETOR ASSEMBLY 1	2	
	1H4-14101-00-00	UNAVAILABLE IN PRICE BOOK	2	
	1H4-14101-01-00	UNAVAILABLE IN PRICE BOOK	2	
2	193-14142-70-00	. JET, PILOT (# 70)	2	
3	239-14141-32-00	NOZZLE, MAIN (0-2)	2	2
4	137-14143-60-A0	. JET, MAIN (# 300)		
	137-14143-62-A1	. JET, MAIN (#310)	1	
	137-14143-64-00	. JET, MAIN (#320)	1	STD
	137-14143-64-00	. JET, MAIN (#320)	2	STD
	137-14143-66-A1	. JET MAIN, (# 330)	2	STD
	137-14143-68-00	. JET, MAIN (#340)		
	137-14143-70-00	. JET, MAIN (#350)		
5	137-14153-00-00	. WASHER, MAIN JET	2	
6	239-14190-33-00	. NEEDLE VALVE SETK (#3.3)	2	
7	239-14195-00-00	. WASHER, NEEDLE VALVE	2	
8	(239-14185-00-00)	FLOAT	4	
	310-14185-00-00	. FLOAT	4	
9	127-14186-00-00	. PIN, FLOAT	2	
10	(239-14187-00-00)	ARM, FLOAT	2	
11	(239-14184-00-00)	GASKET, FLOAT CHMBR	2	
	483-14184-00-00	. GASKET, FLOAT CHMBR	2	
12	(239-14181-00-00)	BODY, FLOAT CHMBR 1	2	
13	98580-05016-00	. SCREW, PAN HEAD	8	
14	92990-05100-00	. WASHER, SPRING	8	
15	(239-14115-00-00)	PLUG, SCREW	2	
16	239-14117-00-00	. WASHER, PLUG SCREWSREW	2	
17	239-14172-20-00	. PILOT JET, AIR (2.0)	2	
18	127-14134-00-00	. SPRING, AIR ADJUSTING	2	

CONTINUED ON NEXT FRAME ➤

# CARBURETOR

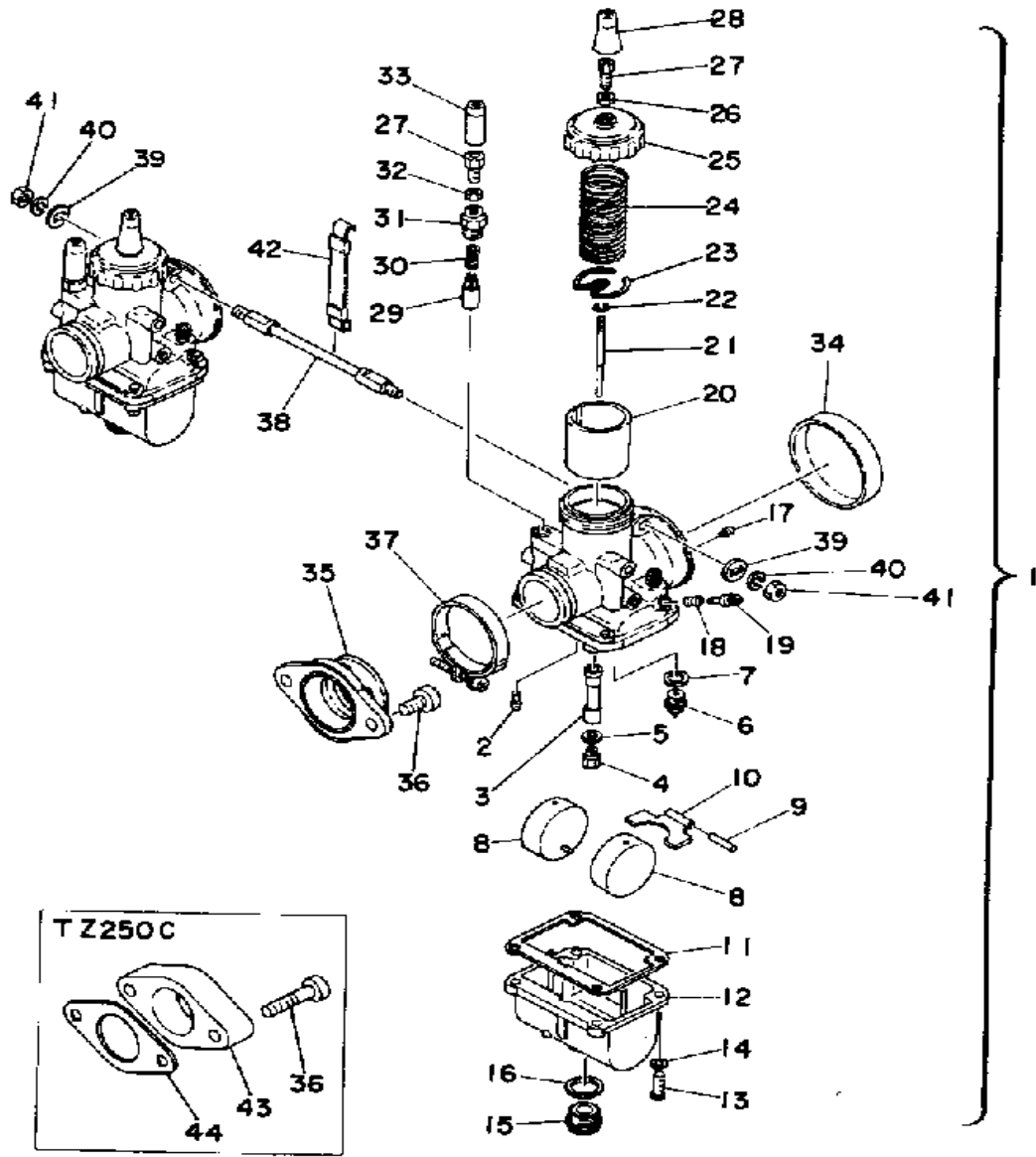


Ref. No.	Part Number	Description	Qty	Remarks
19	23X-14104-00-00	. AIR SCREW SET .....	2	
20	(328-14112-25-00)	VALVE, THROTTLE 1 .....	2	
	(328-14112-30-00)	VALVE, THROTTLE 1 .....	2	
21	239-14116-09-00	. NEEDLE .....	2	
22	164-14137-00-00	. CLIP .....	2	
23	239-14136-00-00	. SEAT, SPRING .....	2	
24	239-14131-00-00	. SPRING, THRTL VALVE .....	2	
25	239-14158-00-00	. TOP, MIXING CHAMBER .....	2	
26	802-14161-00-00	. NUT, CABLE ADJUSTING .....	2	
27	12G-14106-00-00	. CABLE ADJUST SCREW SET .....	2	
	12G-14106-00-00	. CABLE ADJUST SCREW SET .....	4	
28	802-14169-00-00	. CAP .....	2	
29	(1G8-14171-00-00)	PLUNGER, STARTER .....	2	
	58E-14171-00-00	. PLUNGER, STARTER .....	2	
30	127-14135-00-00	. SPRING, PLUNGER .....	2	
	156-14135-00-00	. SPRING, PLUNGER .....	2	
31	127-14174-00-00	. CAP, PLUNGER .....	2	
	152-14174-00-00	. CAP, PLUNGER .....	2	
32	127-14161-00-00	. NUT, CABLE ADJUSTING .....	2	
	353-14138-00-00	. CLIP, PLUNGER .....	2	
33	(174-14169-01-00)	CAP .....	2	
	637-14173-00-00	. COVER, PLUNGER CAP .....	2	
34	240-14157-00-00	COVER, MIXING .....	2	
35	328-13555-01-00	MANIFOLD, INTAKE .....	2	
36	91316-08016-00	BOLT, SOCKET HEAD .....	4	
	91316-08035-00	BOLT, SOCKET HEAD .....	4	
37	90460-49058-00	CLAMP, HOSE .....	2	
38	(240-14486-00-00)	SCREW, ROD .....	1	
39	(90209-10033-00)	WASHER, SPEC'L SHAP .....	2	

CONTINUED ON NEXT FRAME ➤

FWD

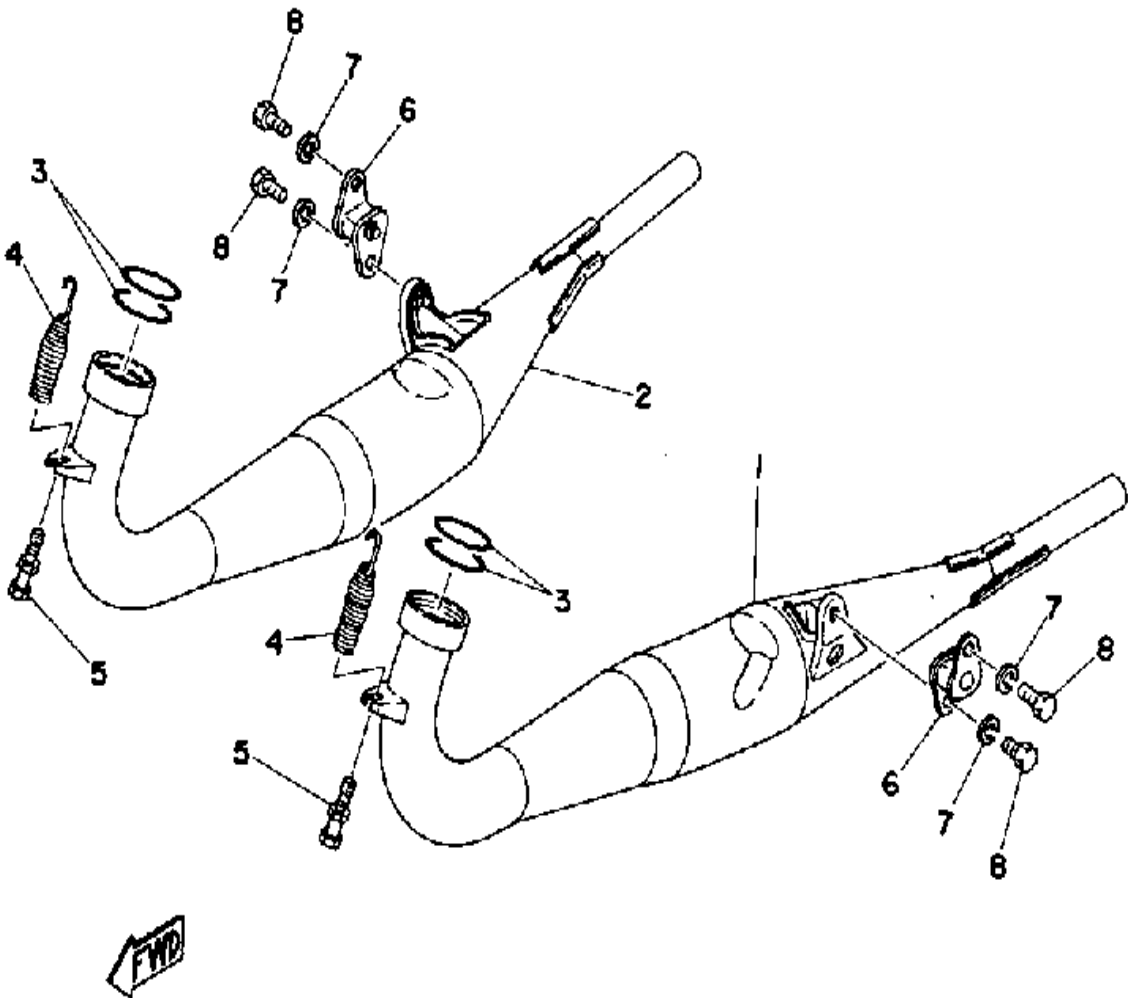
# CARBURETOR



Ref. No.	Part Number	Description	Qty	Remarks
40	92990-06200-00	WASHER .....	2	
41	95380-06600-00	NUT .....	2	
42	(294-14491-00-00)	HOLDER .....	1	
43	329-13565-01-00	JOINT, CARBURETOR .....	2	
44	329-13556-00-00	GASKET, MANIFOLD .....	2	

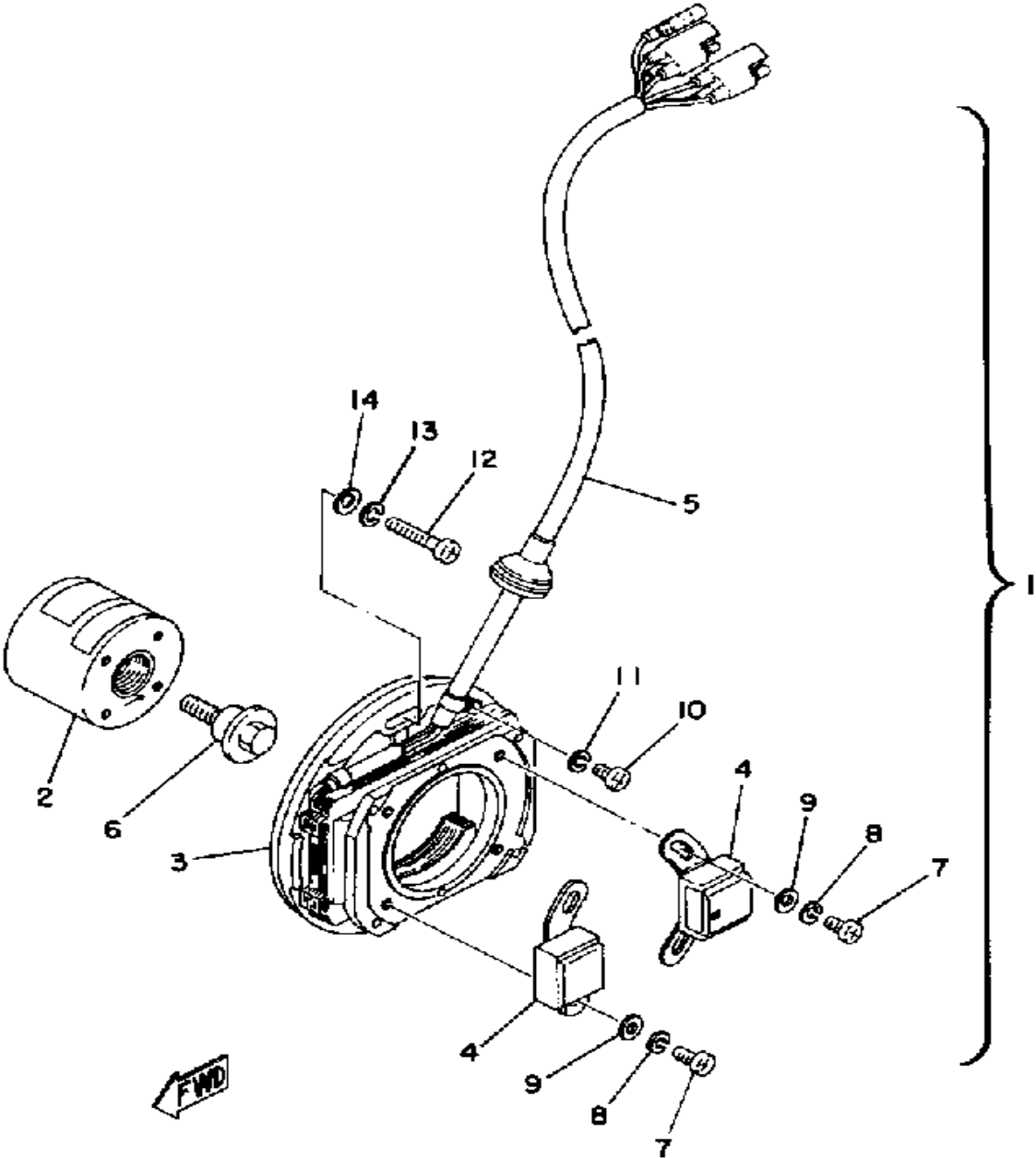
FWD

# EXHAUST

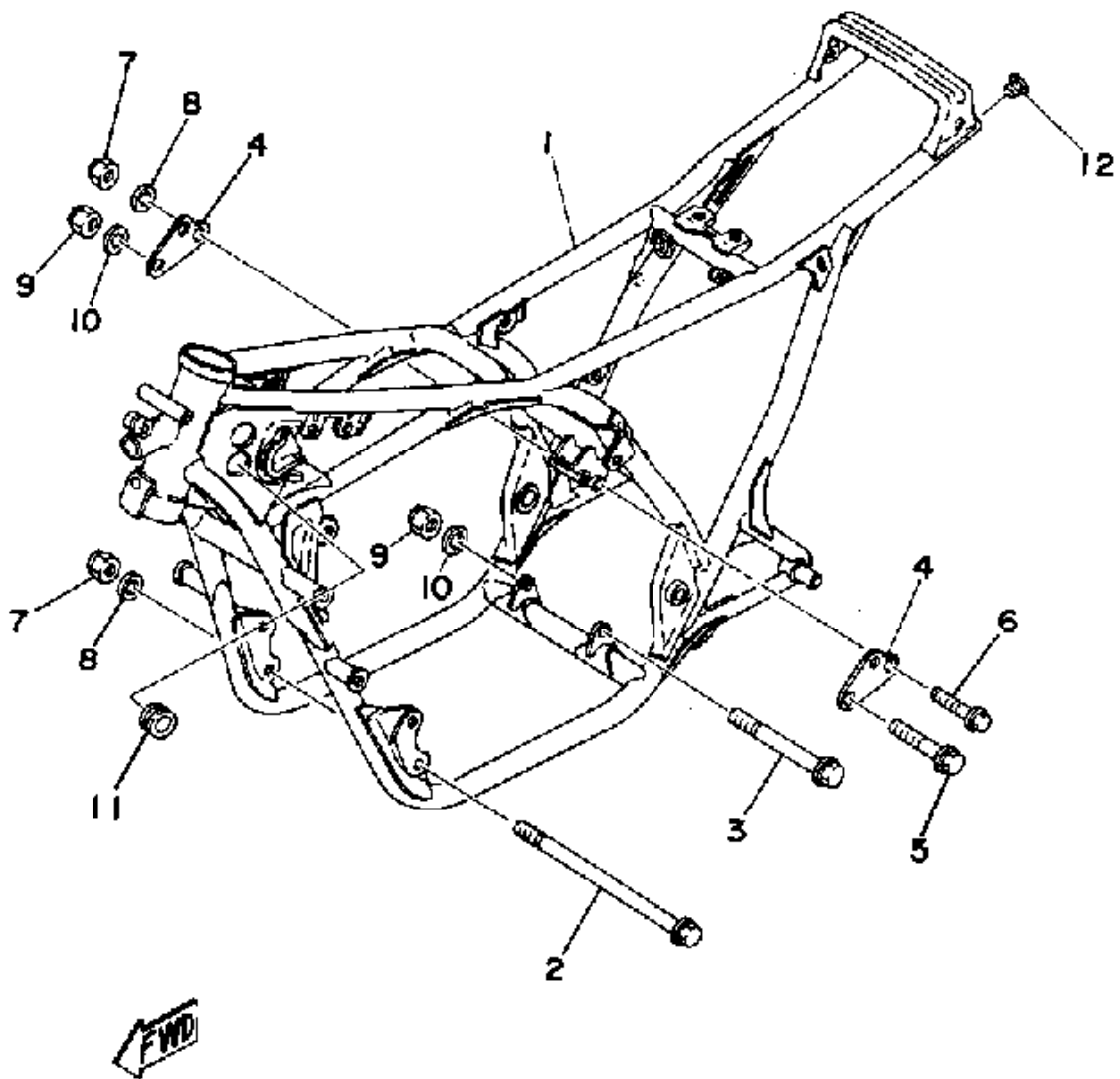


Ref. No.	Part Number	Description	Qty	Remarks
1	(1H3-14610-02-00)	EXHAUST PIPE ASSEMBLY L .	1	
	1H4-14610-00-00	UNAVAILABLE IN PRICE BOOK	1	
	1H4-14610-01-00	UNAVAILABLE IN PRICE BOOK	1	
2	(1H3-14620-02-00)	EXHAUST PIPE ASSEMBLY R .	1	
	1H4-14620-00-00	UNAVAILABLE IN PRICE BOOK	1	
	1H4-14620-01-00	UNAVAILABLE IN PRICE BOOK	1	
3	93210-48208-00	. O-RING . . . . .	4	
4	90507-20012-00	SPRING, TENSION (145-14683-00) . . . . .	2	
5	90109-08305-00	BOLT (322-14684-10) . . . . .	2	
6	1H3-14791-00-00	STAY, MUFFLER . . . . .	2	
7	92990-08100-00	WASHER . . . . .	4	
8	97313-08018-00	BOLT, HEXAGON (97301-08016)	4	
9	1H3-14753-01-00	UNAVAILABLE IN PRICE BOOK	2	EXCEPT U.S.A.
10	90460-22110-00	CLAMP, HOSE . . . . .	2	EXCEPT U.S.A.

# C - D - I - MAGNETO



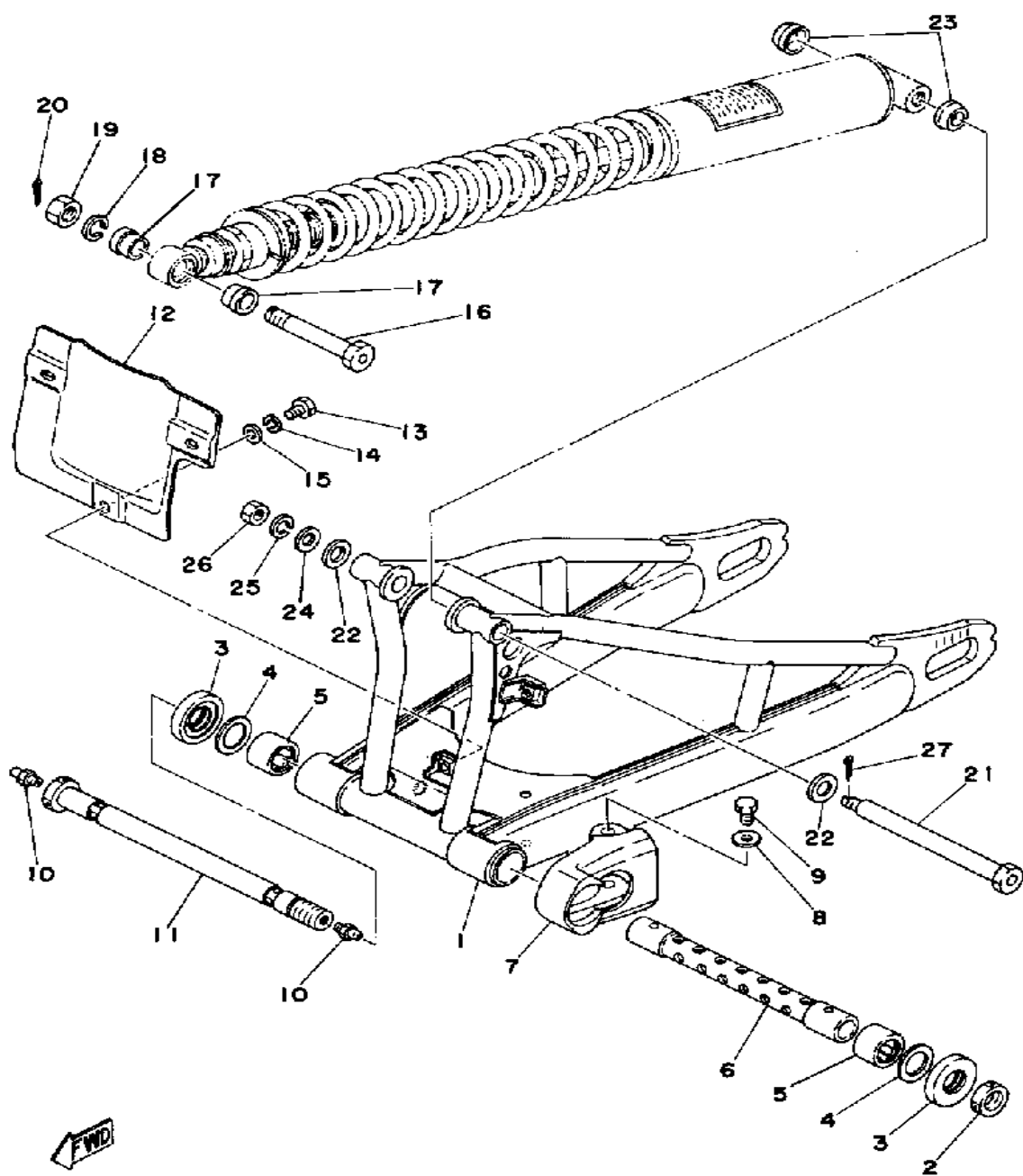
Ref. No.	Part Number	Description	Qty	Remarks
1	(328-85500-11-00)	CDI MAGNETO ASSEMBLY ...	1	
2	(328-85550-11-00)	ROTOR ASSEMBLY .....	1	
3	(328-85510-11-00)	STATOR ASSEMBLY .....	1	
4	364-85543-10-00	. COIL PULSER .....	2	
5	(328-85515-10-00)	LEAD WIRE ASSEMBLY .....	1	
6	328-85559-10-00	. ROTOR .....	1	
7	98580-05010-00	. SCREW, PAN HEAD .....	4	
8	92990-05100-00	. WASHER, SPRING .....	4	
9	92901-05600-00	. WASHER, PLATE .....	4	
10	98580-04008-00	. SCREW, PAN HEAD .....	1	
11	92901-04100-00	. WASHER, SPRING .....	1	
12	98580-06030-00	SCREW PAN HEAD .....	2	
13	92995-06100-00	WASHER, SPRING .....	2	
14	92990-06200-00	WASHER .....	2	
15	431-85566-10-00	COIL, CHARGE 1 .....	1	
16	431-85567-10-00	COIL, CHARGE 2 .....	1	



# FRAME

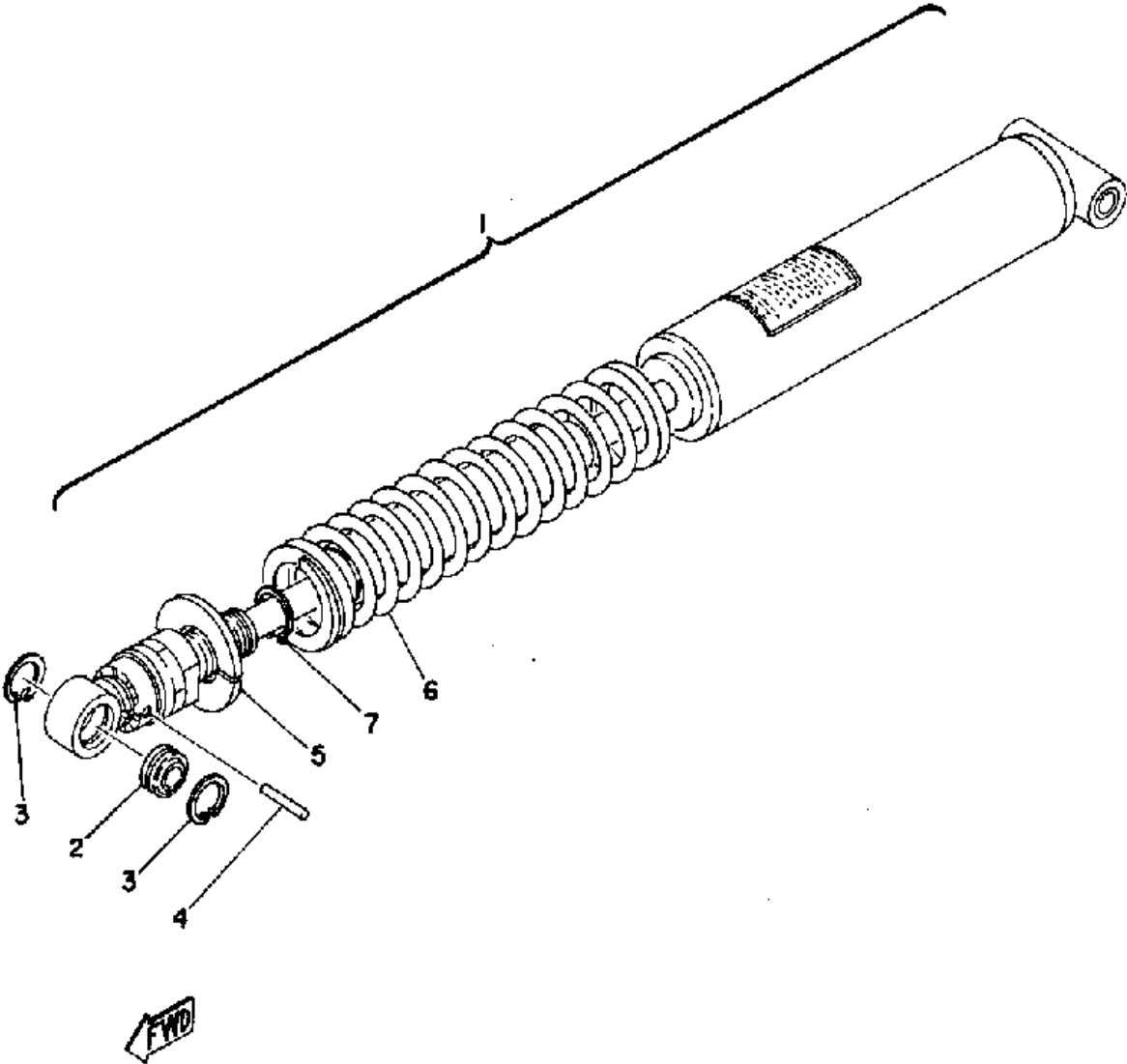
Ref. No.	Part Number	Description	Qty	Remarks
1	(1H3-21110-00-33)	FRAME .....	1	YAMAHA BLACK
	(1H3-21110-01-33)	FRAME .....	1	YAMAHA BLACK
2	90105-08034-00	BOLT, WASHER BASED .....	2	M8-240L
3	1H3-21315-00-00	UNAVAILABLE IN PRICE BOOK	2	2
	90101-10313-00	BOLT .....	1	M10-135L
	90101-10313-00	BOLT .....	1	M10-140L
5	95821-10060-00	BOLT, FLANGE .....	1	
6	95811-08055-00	BOLT, FLANGE .....	2	
7	90185-08089-00	NUT, SELF-LOCKING .....	4	
8	92901-08600-00	WASHER .....	4	
9	90185-10060-00	NUT, SELF-LOCKING .....	2	
10	92990-10600-00	WASHER, PLATE .....	2	
11	90480-28191-00	GROMMET .....	5	
12	(90480-19030-00)	GROMMET .....	2	
13	(1H3-21316-00-00)	STAY, ENGINE 3 .....	1	
14	(1H3-21318-00-00)	STAY, ENGINE 5 .....	1	
15	(1H3-21317-00-00)	STAY, ENGINE 4 .....	1	
16	(1H3-21319-00-00)	STAY, ENGINE 6 .....	1	
17	95811-08060-00	BOLT, FLANGE .....	4	
18	92901-08600-00	WASHER .....	6	
19	90185-08089-00	NUT, SELF-LOCKING .....	6	
20	1H3-21314-00-00	STAY, ENGINE 1 .....	1	
21	(1H3-21387-00-00)	STAY, ENGINE 7 .....	1	
22	95811-08075-00	BOLT, FLANGE .....	2	
23	(1H3-15361-00-00)	GAUGE, LEVEL .....	1	N/A

# REAR ARM



Ref. No.	Part Number	Description	Qty	Remarks
1	(1H3-22110-00-33)	REAR ARM .....	1	YAMAHA BLACK
2	90179-16028-00	NUT, SPEC'L SHAPE .....	1	
3	93342-22205-00	BEARING, FLAT # 2 .....	2	
4	648-45533-00-02	SHIM (90201-22284) .....	1	
5	93317-22208-00	BEARING, CYLINDER.# 7 ....	2	
6	1H3-22124-00-00	BUSH 2 .....	1	
7	(1H3-22151-00-00)	SEAL, GUARD .....	1	
8	90209-06064-00	WASHER, SPEC'L SHAP (812-82327-00) 0 1 .....	2	
9	97013-06012-00	BOLT .....	2	
10	93700-06M03-00	NIPPLE, GREASE .....	2	
11	(1H3-22141-00-00)	SHAFT, PIVOT .....	1	
12	(1H3-21629-00-00)	GUARD, MUD .....	1	
13	97013-06012-00	BOLT .....	3	
14	92995-06100-00	WASHER, SPRING .....	3	
15	92901-06600-00	WASHER .....	3	
16	(90109-12434-00)	BOLT .....	1	
17	(1H3-22253-00-00)	COLLAR, DISTANCE .....	2	
18	92901-12100-00	WASHER, SPRING .....	1	
19	95301-12700-00	NUT (95302-12700) .....	1	
20	91401-25030-00	PIN, COTTER .....	1	
21	(90109-08433-00)	BOLT .....	1	
22	90201-12588-00	WASHER, PLATE .....	2	
23	(1H3-22211-01-00)	COVER .....	2	
24	90201-08326-00	WASHER, PLATE .....	1	
25	92990-08100-00	WASHER .....	1	
26	95303-08700-00	NUT .....	1	
27	91490-20020-00	PIN, COTTER .....	1	

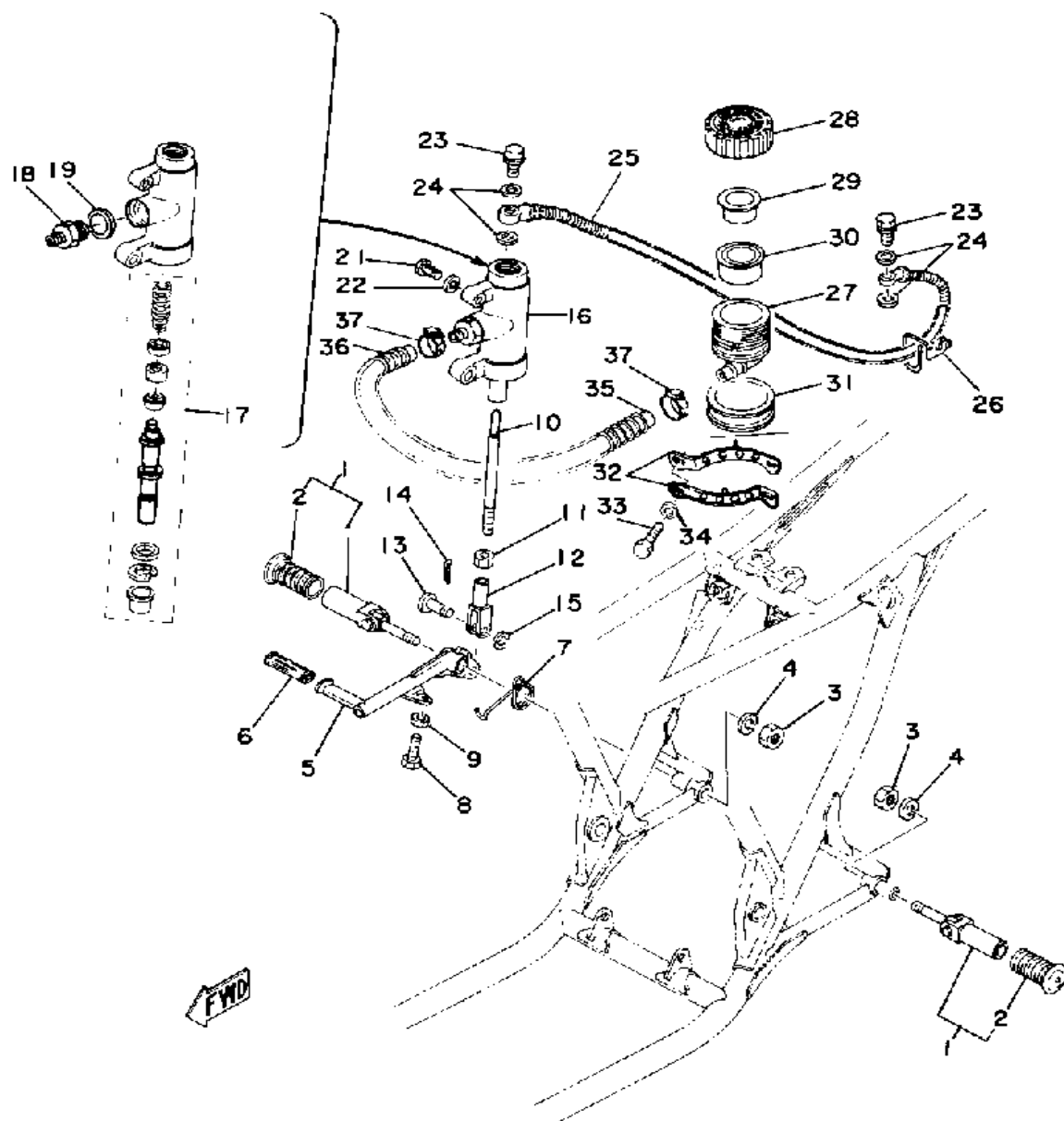
# REAR CUSHION



Ref. No.	Part Number	Description	Qty	Remarks
1	(1H3-22210-00-00)	SHK/ABS ASSEMBLY, REAR	1	
2	93399-99901-00	. BEARING	1	
3	(93410-22041-00)	CIRCLIP, S-TYPE	2	
4	(93604-28127-00)	PIN, DOWEL	1	
5	(1H3-22214-00-00)	GUIDE, SPRING 1	2	
6	(90501-85420-00)	SPRING, COMPRESSION	1	
7	99009-20400-00	. CIRCLIP	1	



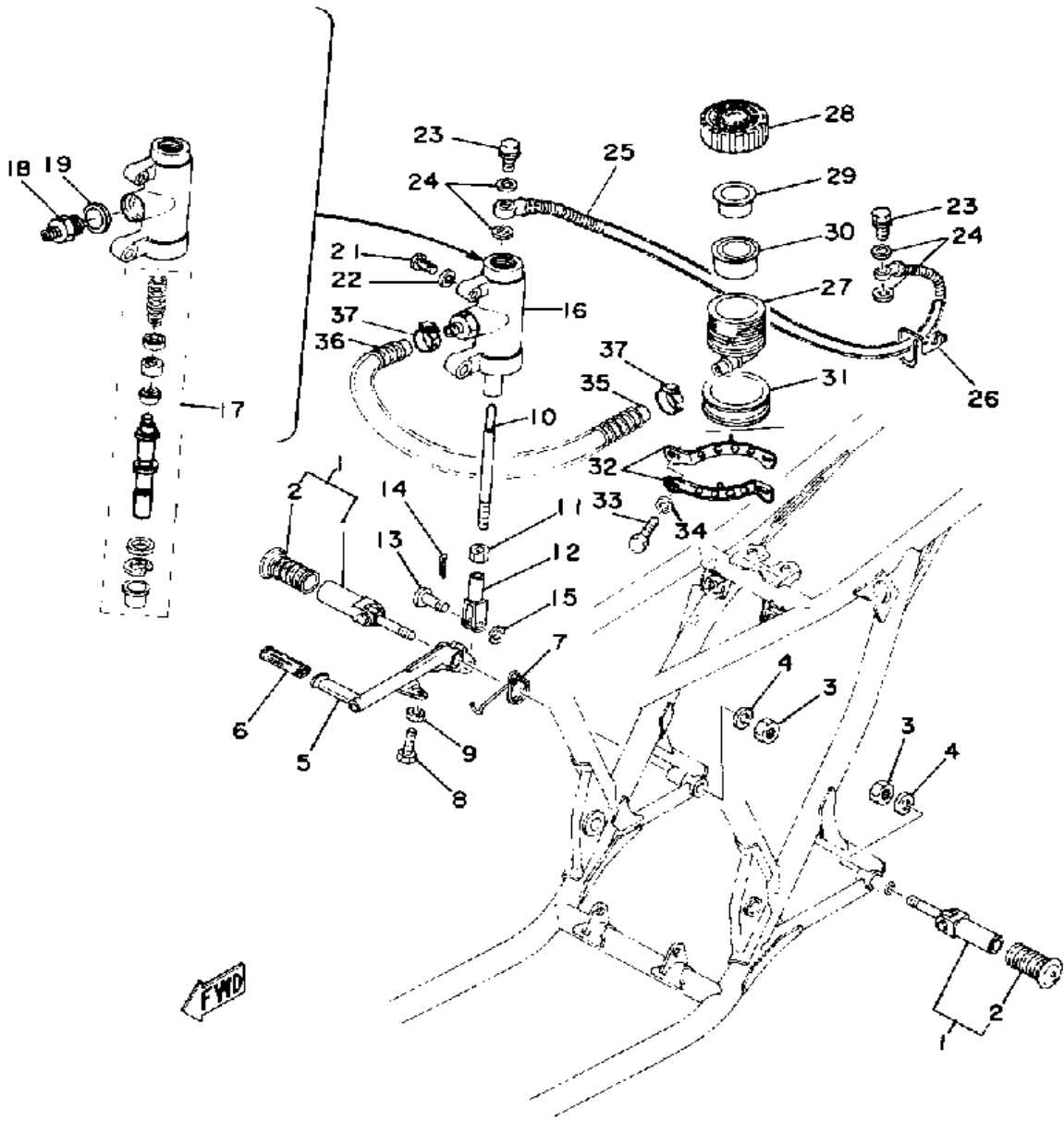
# BRAKE PEDAL - MASTER CYLINDER



Ref. No.	Part Number	Description	Qty	Remarks
1	5F6-27410-10-00	FRT FOOTREST ASSEMBLY L	2	
2	240-27413-00-00	. COVER, FOOTREST	2	
3	(90179-10173-00)	NUT, SPEC'L SHAPE	2	
4	92901-10100-00	WASHER, SPRING	2	
	92990-10100-00	WASHER, SPRING	2	
5	(1H3-27211-00-00)	PEDAL, BRAKE	1	
6	240-18113-00-00	COVER, SHIFT PEDAL	1	
7	(90508-23304-00)	SPRING, TORSION	1	
8	90101-06288-00	BOLT	1	
9	95380-06700-00	NUT	1	
10	(1H3-27231-00-00)	ROD, BRAKE	1	
11	95303-08700-00	NUT	1	
12	(409-27222-00-00)	JOINT	1	
13	(90249-08085-00)	PIN, SPEC'L SHAPE	1	
14	91490-20020-00	PIN, COTTER	1	
15	99009-06600-00	CIRCLIP	1	
16	(409-25850-50-00)	MSTR CYLINDER ASSEMBLY	1	
17	409-W0042-50-00	. CYLINDER KIT, MASTER	1	
18	(409-25899-50-00)	BOLT, UNION	1	
19	(409-25898-50-00)	GASKET	1	
21	(95201-08030-00)	BOLT, FLAT HD.DRILL	2	
22	92990-08100-00	WASHER	2	
23	90401-10034-00	BOLT, UNION	2	
24	90201-10118-00	WASHER, PLATE	4	
25	(409-25872-50-00)	HOSE, BRAKE 1	1	
26	(409-25875-50-00)	HOLDER, BRKE HOSE 1	1	
27	(1H3-25894-00-00)	TANK, RESERVOIR	1	
28	2KF-25852-50-00	CAP, RESERVOIR	1	
29	2GU-25855-00-00	BUSH, DIAPHRAGM	1	

CONTINUED ON NEXT FRAME ►

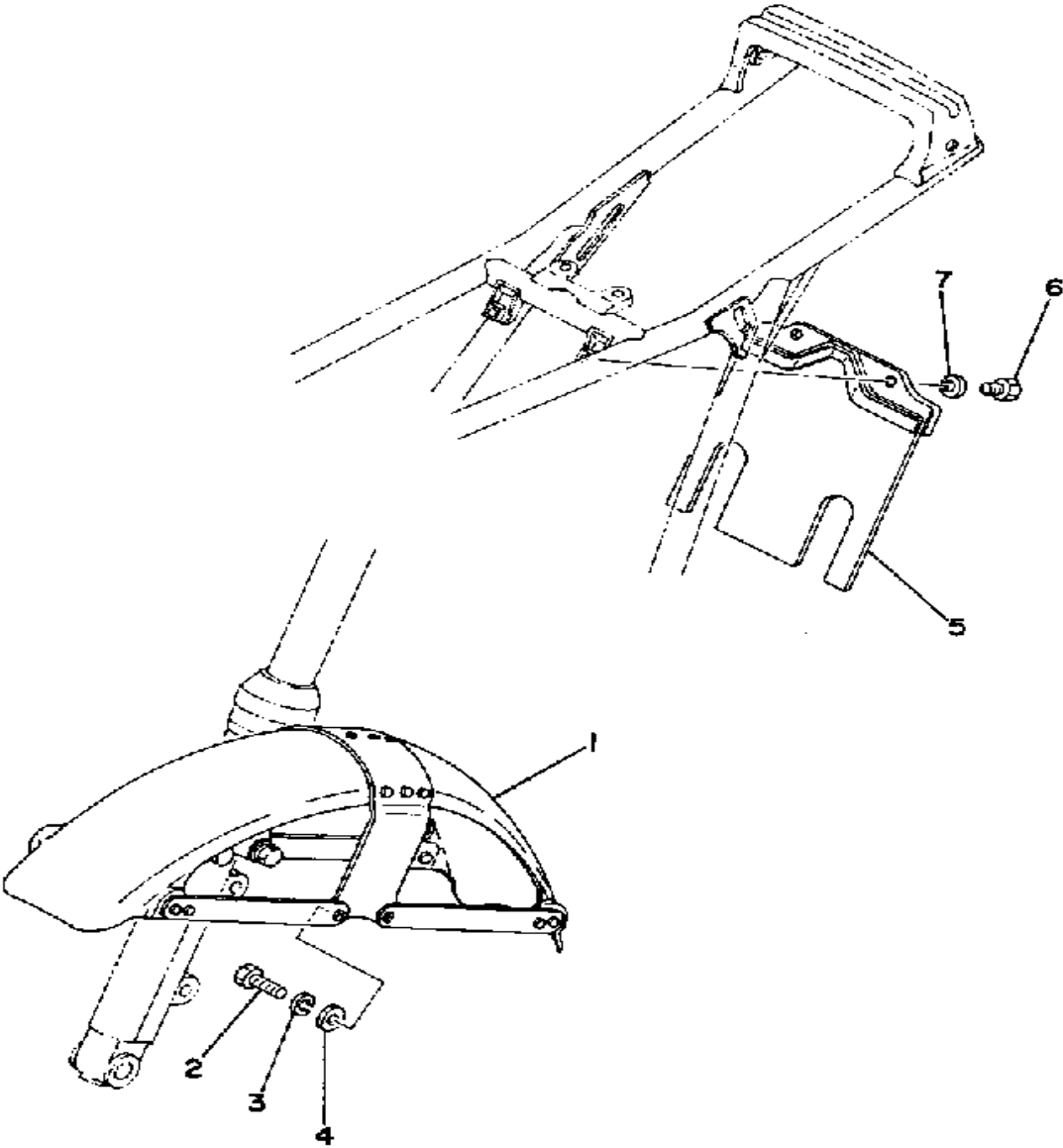
# BRAKE PEDAL - MASTER CYLINDER



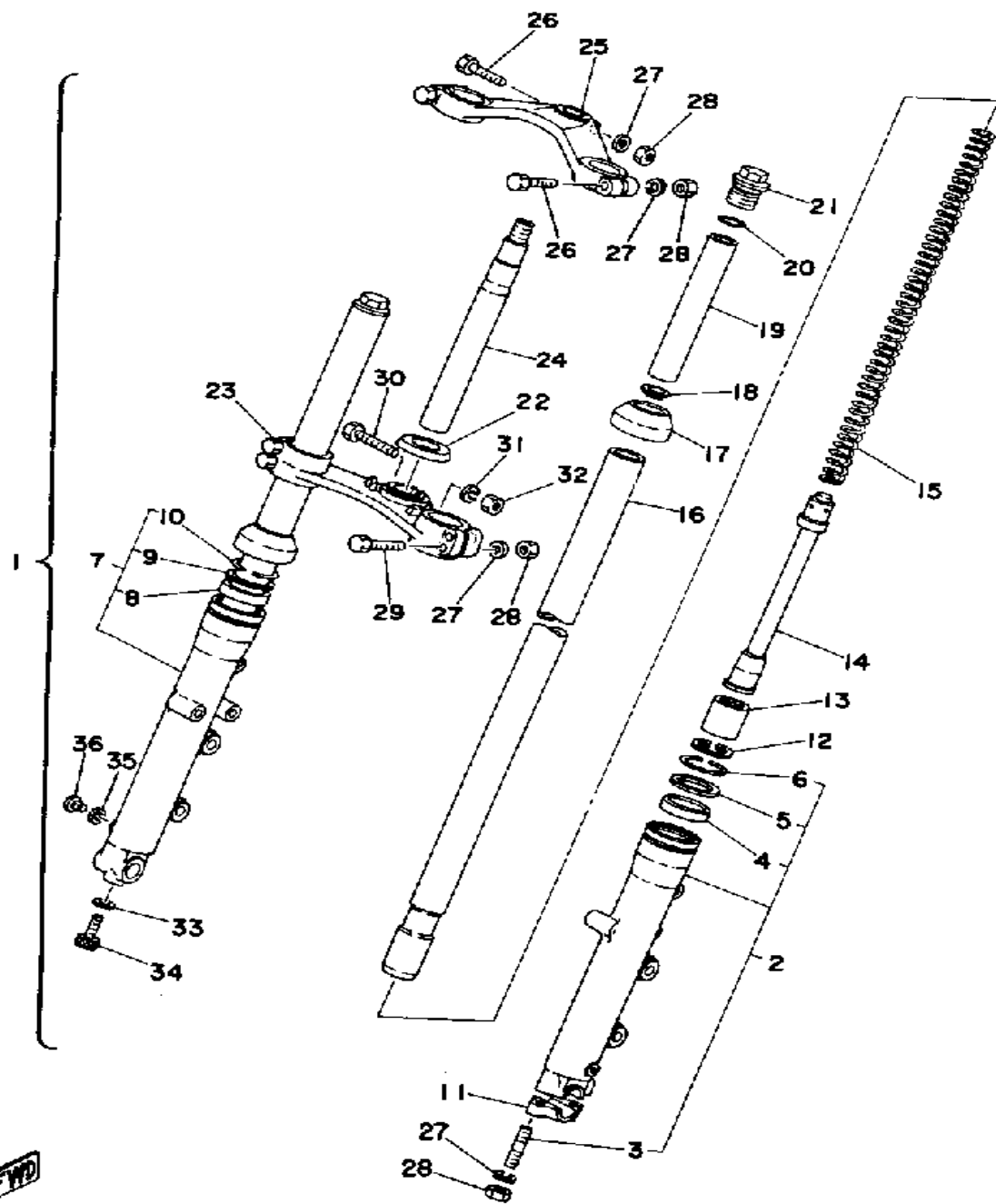
Ref. No.	Part Number	Description	Qty	Remarks
30	360-25854-00-00	DIAPHRAGM, RESERVOIR ...	1	
31	(1H3-25897-00-00)	DAMPER .....	1	
32	(1H3-25874-00-00)	HOSE, BRAKE .....	2	
33	97013-06012-00	BOLT .....	2	
34	92995-06100-00	WASHER, SPRING .....	2	
35	(90445-15324-00)	HOSE .....	1	
36	(90504-10022-00)	SPRING, COMPRESSION .....	1	
37	90601-11525-00	CLAMP, HOSE .....	2	

# FRONT FENDER - REAR FENDER

Ref. No.	Part Number	Description	Qty	Remarks
1	29L-21510-00-E1	FENDER, FRONT .....	1	CHAPPY RED
2	97001-08025-00	BOLT (1NV) .....	4	
3	92990-08100-00	WASHER .....	4	
4	92901-08600-00	WASHER .....	4	
5	(1H3-21611-00-00)	FENDER, REAR .....	1	
6	97011-06010-00	BOLT .....	2	
7	92995-06100-00	WASHER, SPRING .....	2	



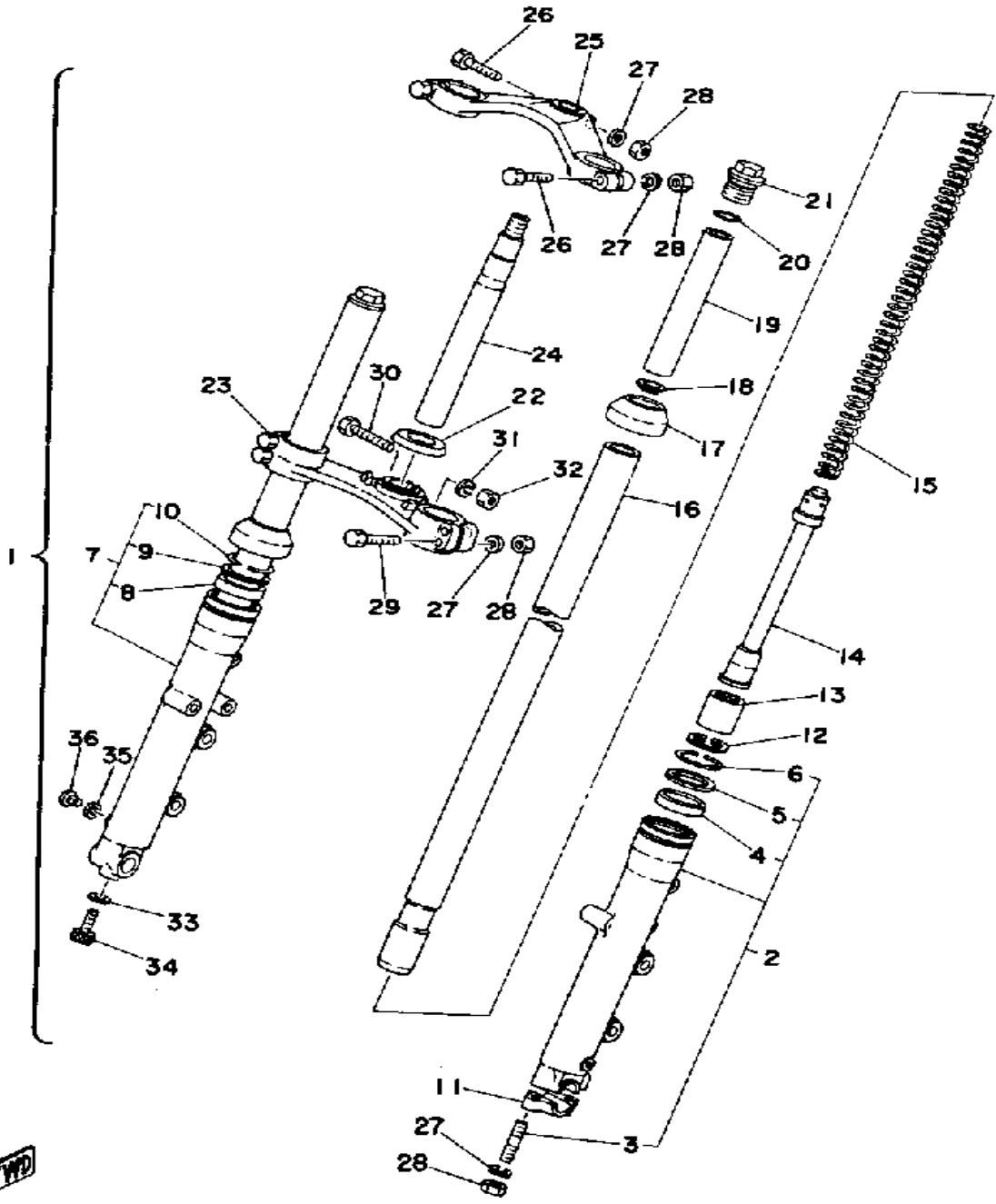
# FRONT FORK



Ref. No.	Part Number	Description	Qty	Remarks
1	(1H3-23101-01-00)	FRONT FORK ASSEMBLY	1	
2	(1H3-23126-00-00)	TUBE, OUTER 1	1	
3	90116-08261-00	. . BOLT, STUD	2	
4	1T3-23145-00-00	. . OIL SEAL	1	
5	341-23146-50-00	. . WASHER, OIL SEAL	1	
6	341-23156-50-00	. . CLIP, OIL SEAL	1	
7	(1H3-23136-00-00)	TUBE, OUTER 2	1	
8	1T3-23145-00-00	. . OIL SEAL	1	
9	341-23146-50-00	. . WASHER, OIL SEAL	1	
10	341-23156-50-00	. . CLIP, OIL SEAL	1	
11	341-23167-50-00	. HOLDER, AXLE	1	
12	(93450-30039-00)	CIRCLIP, INNER	2	
13	(1H3-23171-00-00)	PISTON, FRONT FORK	2	
14	(1H3-23170-01-00)	CYLINDER, FRTFRK	2	
15	(1H3-23141-00-00)	SPRING, FRONT FORK	2	
16	(1H3-23124-00-00)	TUBE, INNER 1	2	
17	(1H3-23144-00-00)	SEAL, DUST	2	
18	583-23142-00-00	. SEAT, SPRING UPPER	2	
19	(1H3-23118-00-00)	SPACER	2	
20	240-23114-00-00	. GASKET	2	
21	(1H3-23111-00-00)	BOLT, CAP	2	
22	164-23462-00-00	. SEAL, STEERING	1	
23	(1H3-23340-00-00)	UNDER BRACKET	1	
24	(1H3-23341-00-00)	SHAFT, STEERING	1	
25	(1H3-23435-00-00)	CROWN, HANDLE	1	
26	90101-08263-00	. BOLT	3	
27	92901-08600-00	. WASHER	7	
28	90185-08089-00	. NUT, SELF-LOCKING	7	
29	(97281-08055-00)	BOLT, FLAT HEAD	2	N/A

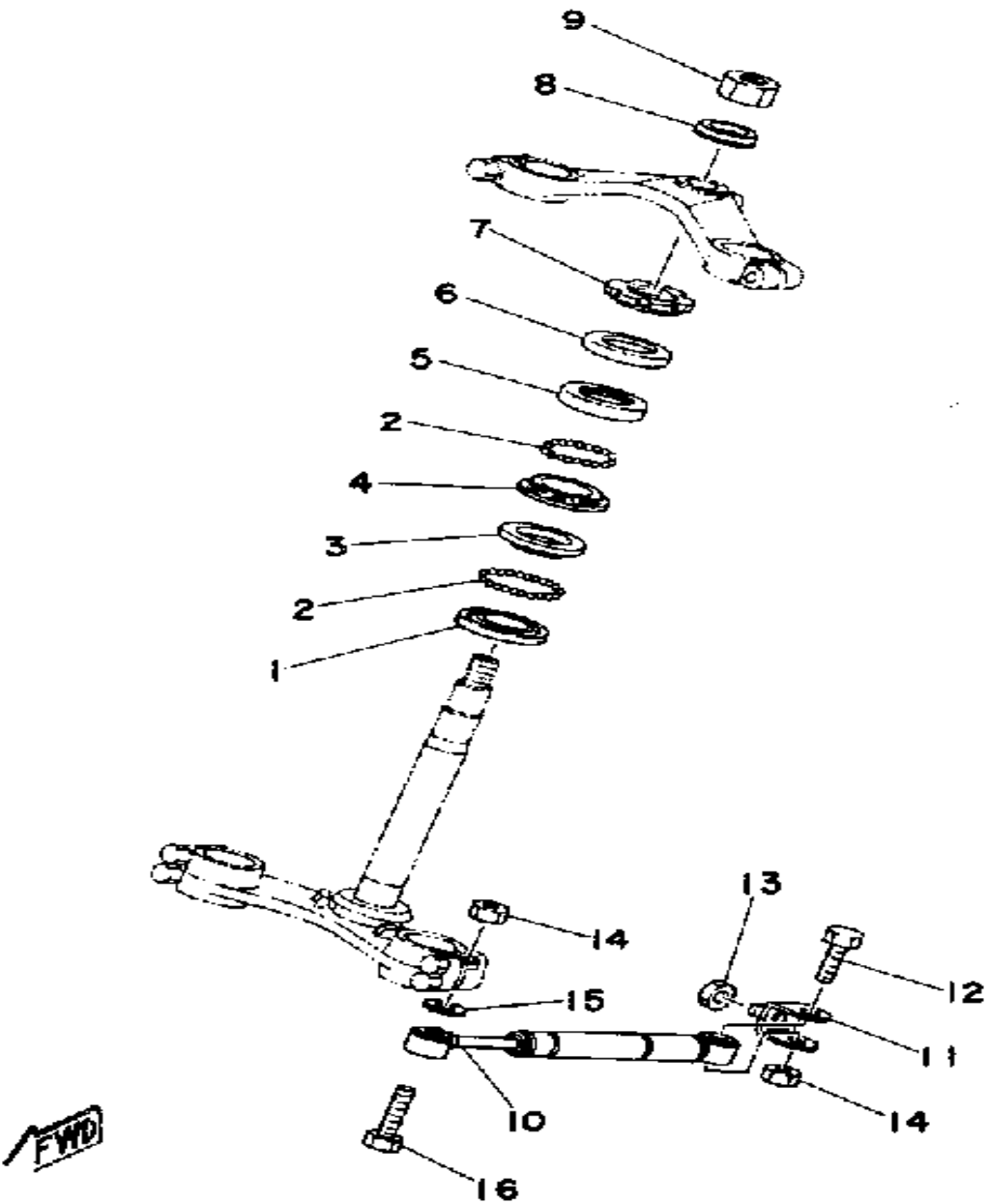
CONTINUED ON NEXT FRAME ►

# FRONT FORK



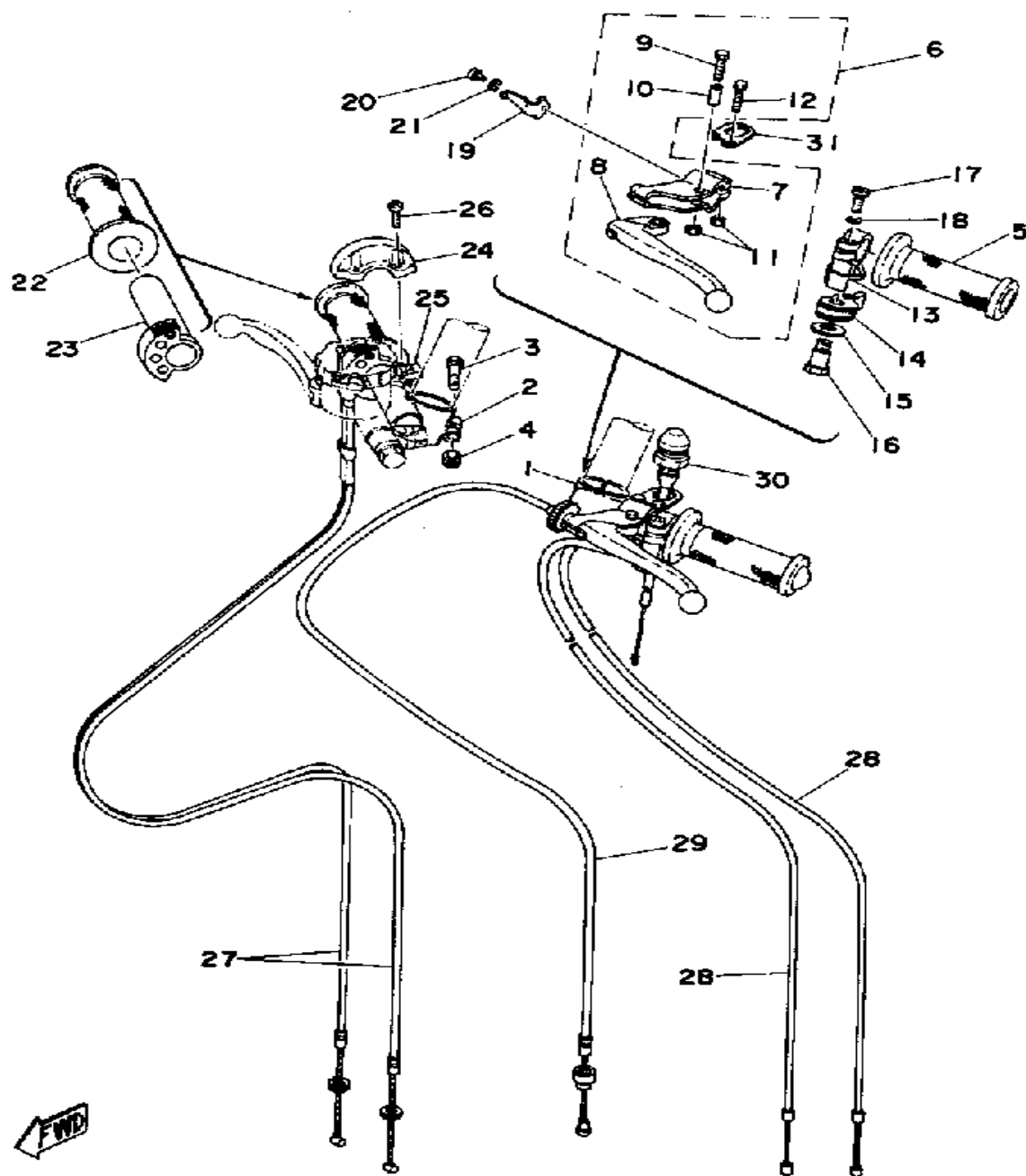
Ref. No.	Part Number	Description	Qty	Remarks
30	(322-23356-00-00)	BOLT 2	1	
31	92901-10100-00	. WASHER, SPRING	1	
	92990-10100-00	. WASHER, SPRING	1	
32	(322-23357-00-00)	NUT	1	
33	509-23158-L0-00	. GASKET	2	
34	278-23181-50-00	. BOLT, HEXAGON SOCKET HEAD	2	
35	122-23129-00-00	. GASKET, DRAIN PLUG	2	
36	4H7-23119-00-00	. PLUG, DRAIN - (122-23119-01)	2	
	98580-04008-00	. SCREW, PAN HEAD	2	

# STEERING



Ref. No.	Part Number	Description	Qty	Remarks
1	156-23411-00-00	RACE, BALL 1 .....	1	
2	93501-04011-00	BALL .....	38	
3	156-23412-00-00	RACE, BALL 2 .....	1	
4	183-23411-00-00	RACE, BALL 1 .....	1	
5	183-23412-00-00	RACE, BALL 2 .....	1	
6	136-23415-00-00	COVER, BALL RACE 1 .....	1	
7	90179-25033-00	NUT .....	1	
8	90209-17057-00	WASHER, SPEC'L SHAP .....	1	
9	(90170-16164-00)	NUT, HEXAGON .....	1	
10	(240-23490-00-00)	HDLBR SMY DMPR ASSEMBLY	1	
11	59W-23491-00-00	JOINT .....	1	
12	97313-08030-00	BOLT, HEXAGON .....	1	
13	95303-08700-00	NUT .....	1	
14	95611-08100-00	NUT, U .....	2	
15	92990-08200-00	WASHER, PLAIN .....	1	
16	90101-08699-00	BOLT .....	1	

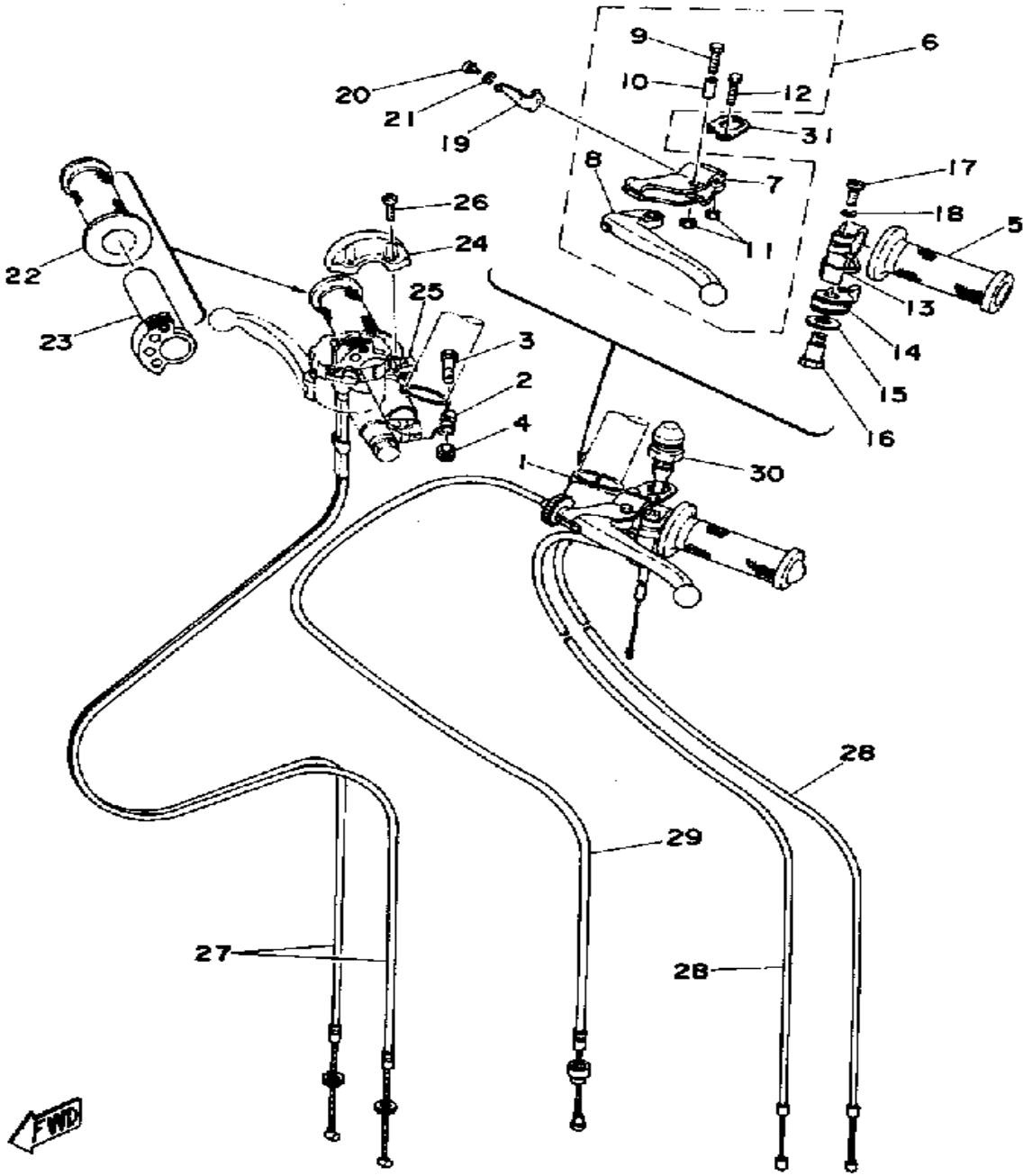
# HANDLE - WIRE



Ref. No.	Part Number	Description	Qty	Remarks
1	409-26121-01-00	HANDLEBAR LH	1	
2	409-26122-01-00	HANDLEBAR RH	1	
3	97313-08035-00	BOLT, HEXAGON	2	
4	95611-08100-00	NUT, U	2	
5	47X-26241-00-00	. GRIP (LEFT)	1	
6	240-82810-00-00	LEVER HOLDER ASSEMBLY 1	1	
7	(240-82811-00-00)	HOLDER, LEVER 1	1	
8	150-83912-00-38	. LEVER L	1	
9	97023-06020-00	. BOLT (3XF)	1	
10	214-83913-00-00	. COLLAR, LEVER 1	1	
11	95380-06700-00	. NUT	3	
12	97011-06025-00	. BOLT (97001-06025)	2	
13	240-83946-00-00	HOLDER, STARTER LEVER	1	
14	240-83941-00-00	LEVER, STARTER	1	
15	90201-12175-00	WASHER, PLATE	1	
16	90109-08398-00	BOLT	1	
17	98580-06018-00	SCREW, PAN HEAD	1	
18	92995-06100-00	WASHER, SPRING	1	
19	5F6-26368-00-00	SPRING, LOCK	1	
20	98501-05008-00	SCREW, PAN HEAD	1	
	98580-05010-00	SCREW, PAN HEAD	1	
21	92990-05100-00	WASHER, SPRING	1	
22	47X-26242-00-00	GRIP (RIGHT)	1	
23	240-26243-01-00	TUBE, THRTL GUIDE	1	
24	240-26281-00-00	CAP, GRIP UPPER	1	
25	240-26282-00-00	CAP, GRIP LOWER	1	
26	98511-05020-00	SCREW, PAN HEAD	2	
	98580-05020-00	SCREW, PAN HEAD	2	
27	240-26311-00-00	CABLE, THROTTLE 1 (650MM)	2	

CONTINUED ON NEXT FRAME ►

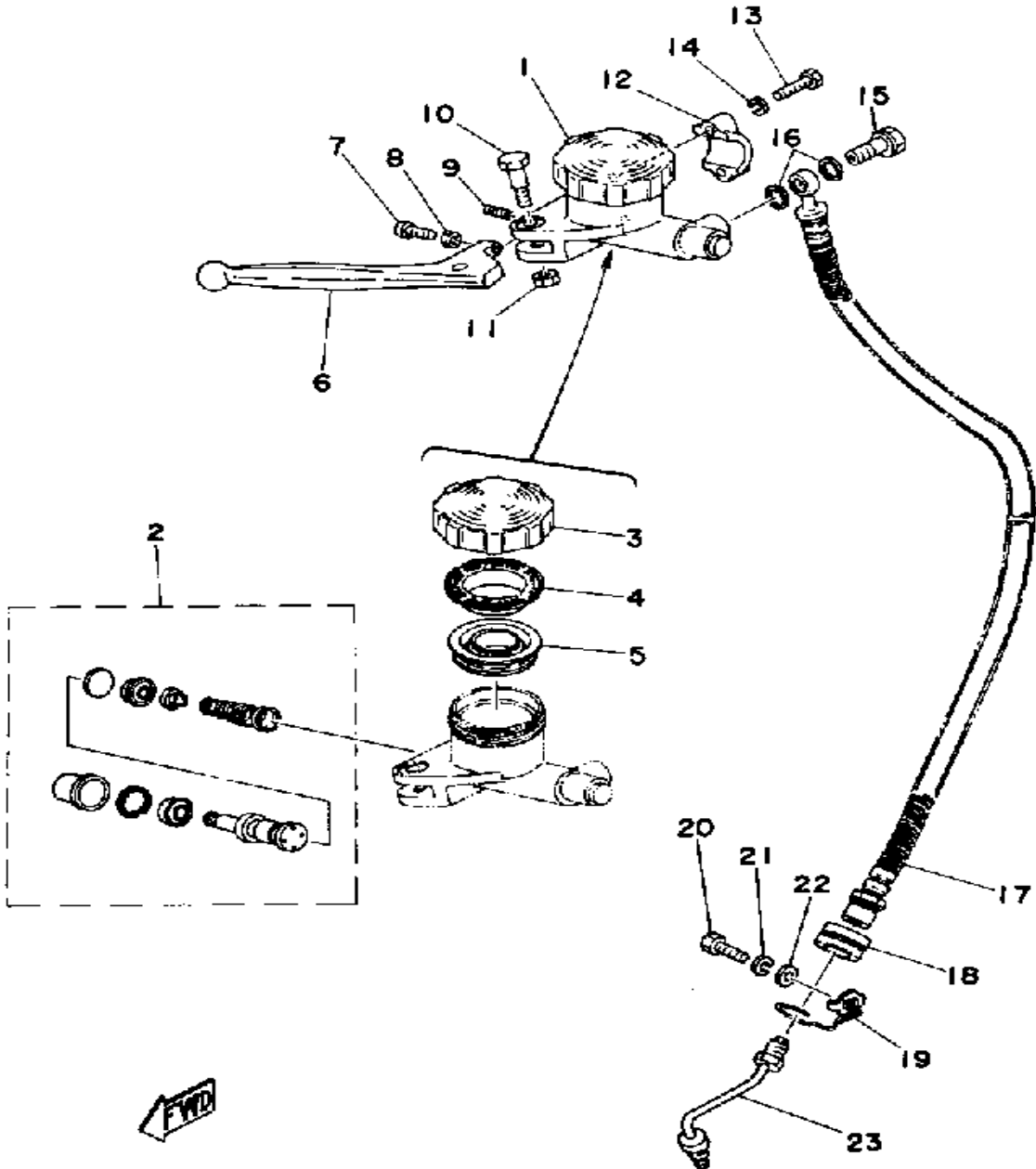
# HANDLE - WIRE



Ref. No.	Part Number	Description	Qty	Remarks
28	1RK-26331-00-00	CABLE, STARTER 1 (800MM)	2	
29	(1H3-26335-02-00)	CABLE, CLUTCH	1	
30	(328-83976-00-00)	SWITCH, HANDLE 1	1	
31	(294-83974-00-00)	HOLDER, HANDLE SWCH	1	

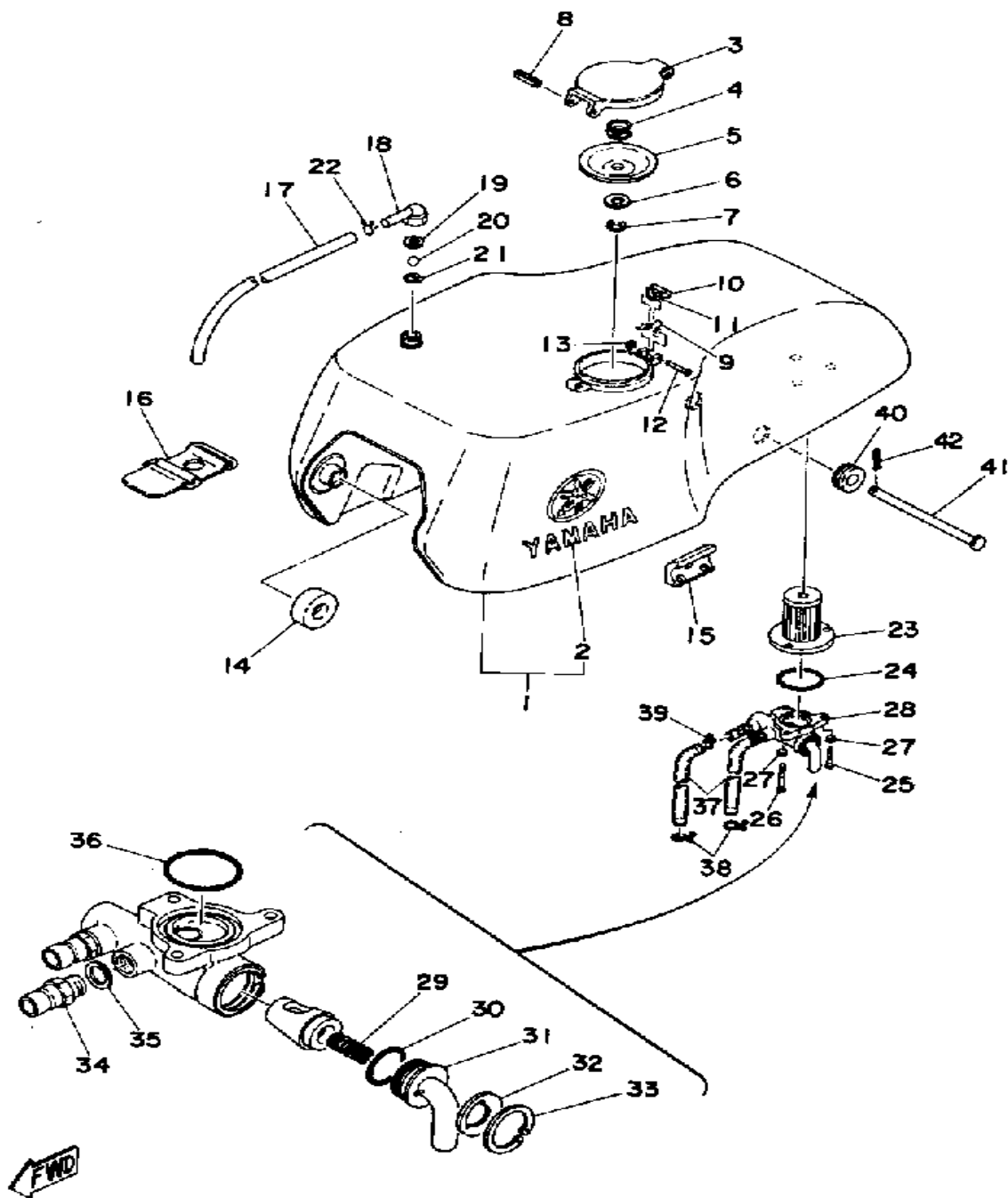


# MASTER CYLINDER - BRAKE HOSE



Ref. No.	Part Number	Description	Qty	Remarks
1	(1H3-25850-00-00)	MSTR CYLINDER ASSEMBLY	1	
2	535-W0041-10-00	. CYLINDER KIT, MASTER (REF. NO. 3~9)	1	
3	(409-25852-00-00)	CAP, RESERVOIR	1	
4	(409-25855-00-00)	BUSH, DIAPHRAGM	1	
5	(409-25854-00-00)	DIAPHRAGM RESERVOR	1	
6	(341-83922-00-00)	LEVER R	1	
7	90146-06005-00	SCREW, OVAL FLSTR (306-83928-01)	1	
8	90170-06010-00	NUT	1	
9	90501-10312-00	SPRING, COMPRESSION	1	
10	90109-06465-00	BOLT	1	
11	95380-06700-00	NUT	1	
12	1J3-25867-00-00	BRACKET, MASTER CYLINDER (341-25867-00)	1	
13	97011-06025-00	BOLT (97001-06025)	2	
14	92995-06100-00	WASHER, SPRING	2	
15	90401-10034-00	BOLT, UNION	1	
16	90201-10118-00	WASHER, PLATE	2	
17	409-25873-04-00	UNAVAILABLE IN PRICE BOOK	1	N/A
18	341-25881-00-00	PROTECTOR, BRAKE HOSE	1	
19	(1H3-25875-00-00)	HOLDER, BRKE HOSE 1	1	
20	97011-06020-00	BOLT	1	
21	92995-06100-00	WASHER, SPRING	1	
22	92901-06600-00	WASHER	1	
23	(1H3-25871-00-00)	PIPE, BRAKE	1	

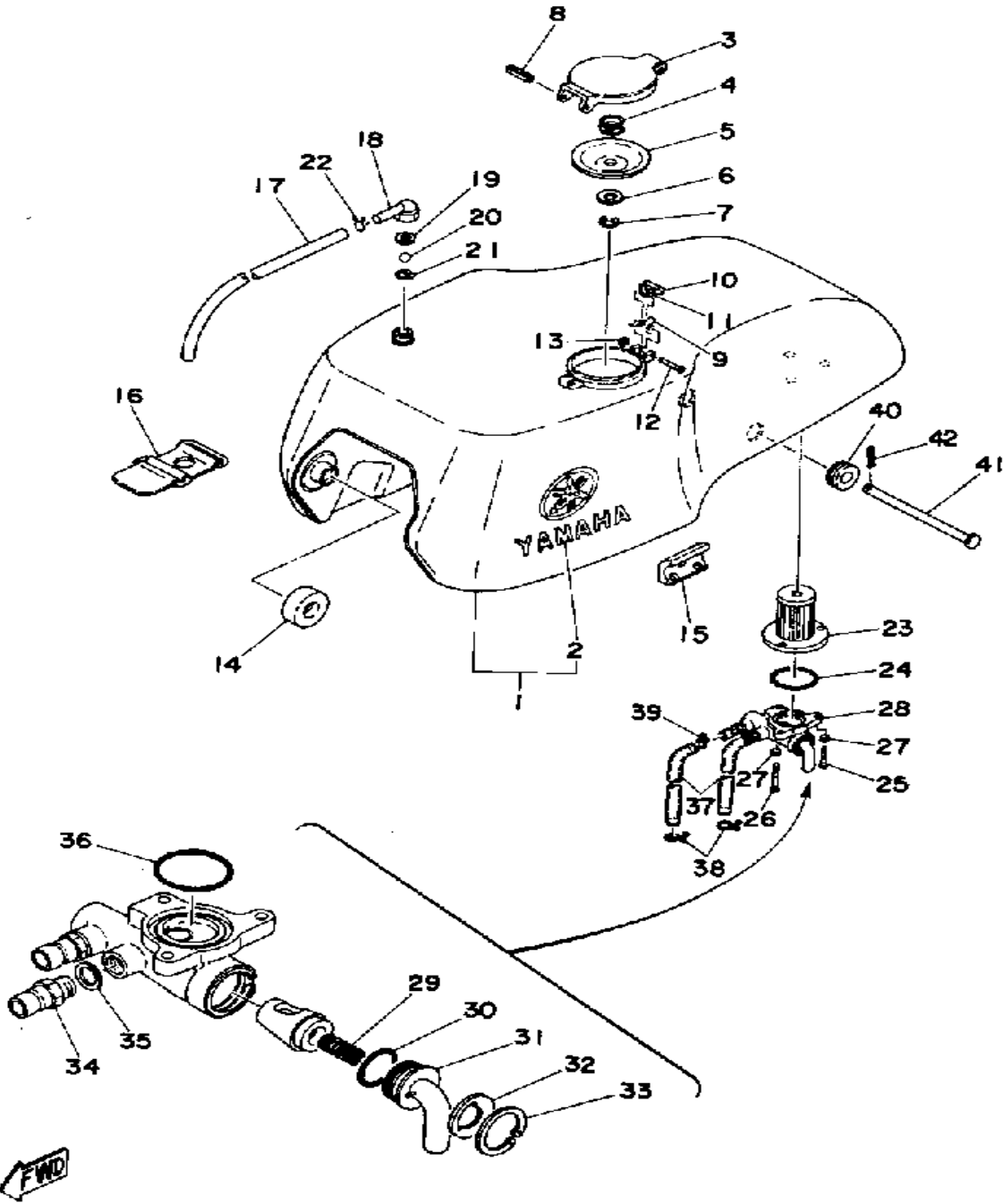
# FUEL TANK



Ref. No.	Part Number	Description	Qty	Remarks
1	(1H3-24110-02-01)	FUEL TANK .....	1	CHAPPY RED
2	240-24161-00-00	. EMBLEM 1 .....	2	
3	294-24611-00-00	BODY, CAP .....	1	
4	90501-20130-00	SPRING, COMPRESSION .....	1	
5	294-24612-00-00	GASKET, CAP .....	1	
6	92901-08600-00	WASHER .....	1	
7	99009-06600-00	CIRCLIP .....	1	
8	91609-30020-00	PIN, SPRING .....	1	
9	90508-08223-00	SPRING, TORSION (256-24637-00) .....	1	
10	256-24628-00-00	HOOK .....	1	
11	93210-06632-00	O-RING .....	1	
12	90249-03016-00	PIN, SPEC'L SHAPE .....	1	
13	93430-02001-00	CIRCLIP .....	1	
14	278-24181-00-00	DAMPER, LOCATING 1 .....	2	
15	240-24181-00-00	DAMPER, LOCATING 1 .....	2	
16	240-24173-00-00	BAND, TNK FITTING 1 .....	1	
17	(90446-06007-00)	HOSE .....	1	
18	143-24681-00-00	NUT, CAP .....	1	
19	(90430-10028-00)	GASKET .....	1	
20	143-24684-00-00	BALL .....	1	
21	143-24685-00-00	CLIP, BALL HOLDER .....	1	
22	90468-10050-00	CLIP .....	1	
23	(294-24167-00-00)	STRAINER .....	1	
24	(93210-38146-00)	O-RING .....	1	
25	98701-04020-00	SCREW, FLAT HEAD .....	2	
26	(98701-04035-00)	SCREW, FLAT HEAD .....	1	
27	(92901-04500-00)	WASHER, EX.TOOTH .....	3	
28	(240-24500-01-00)	FUEL COCK ASSEMBLY 1 ...	1	

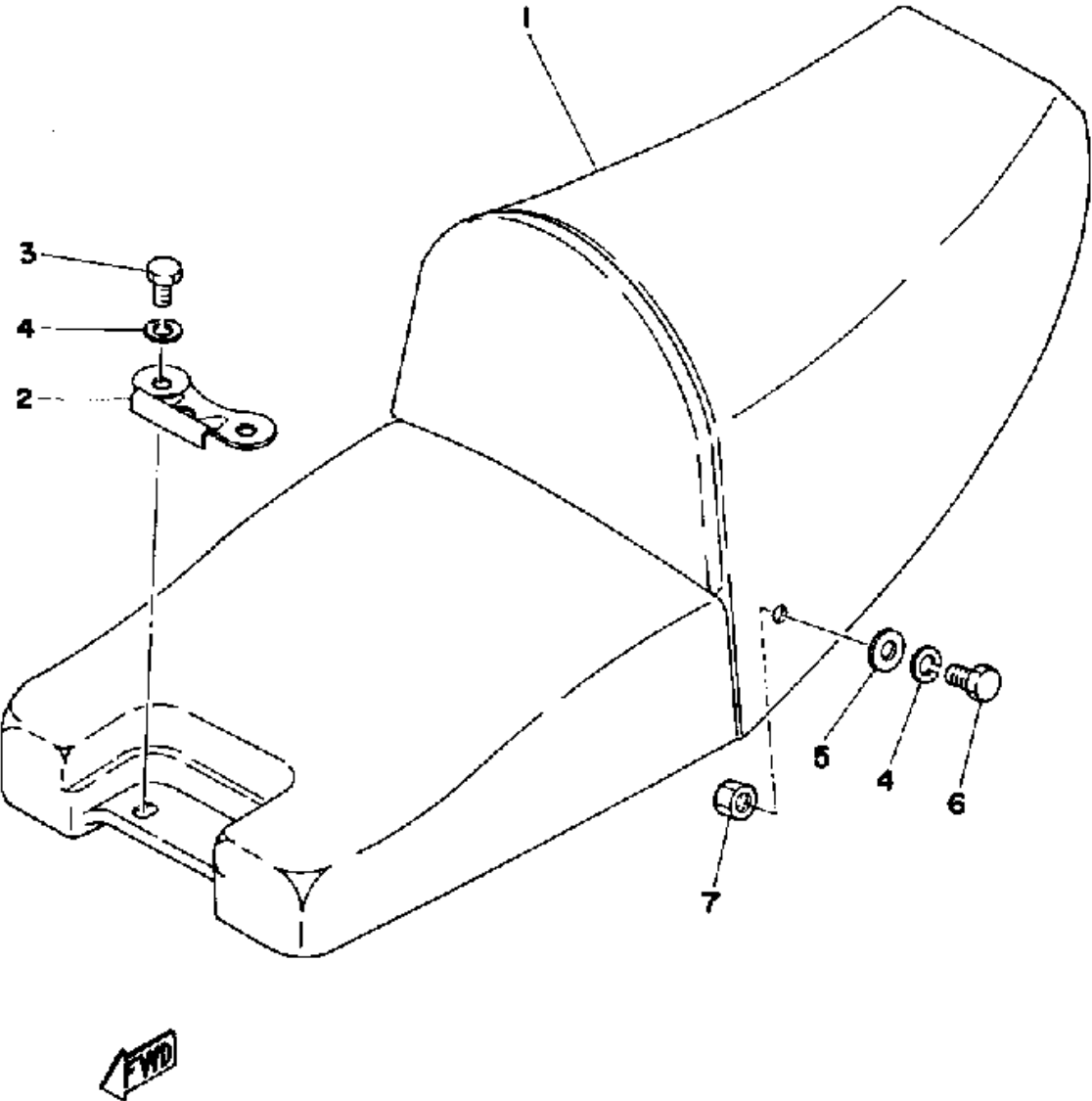
CONTINUED ON NEXT FRAME ►

# FUEL TANK



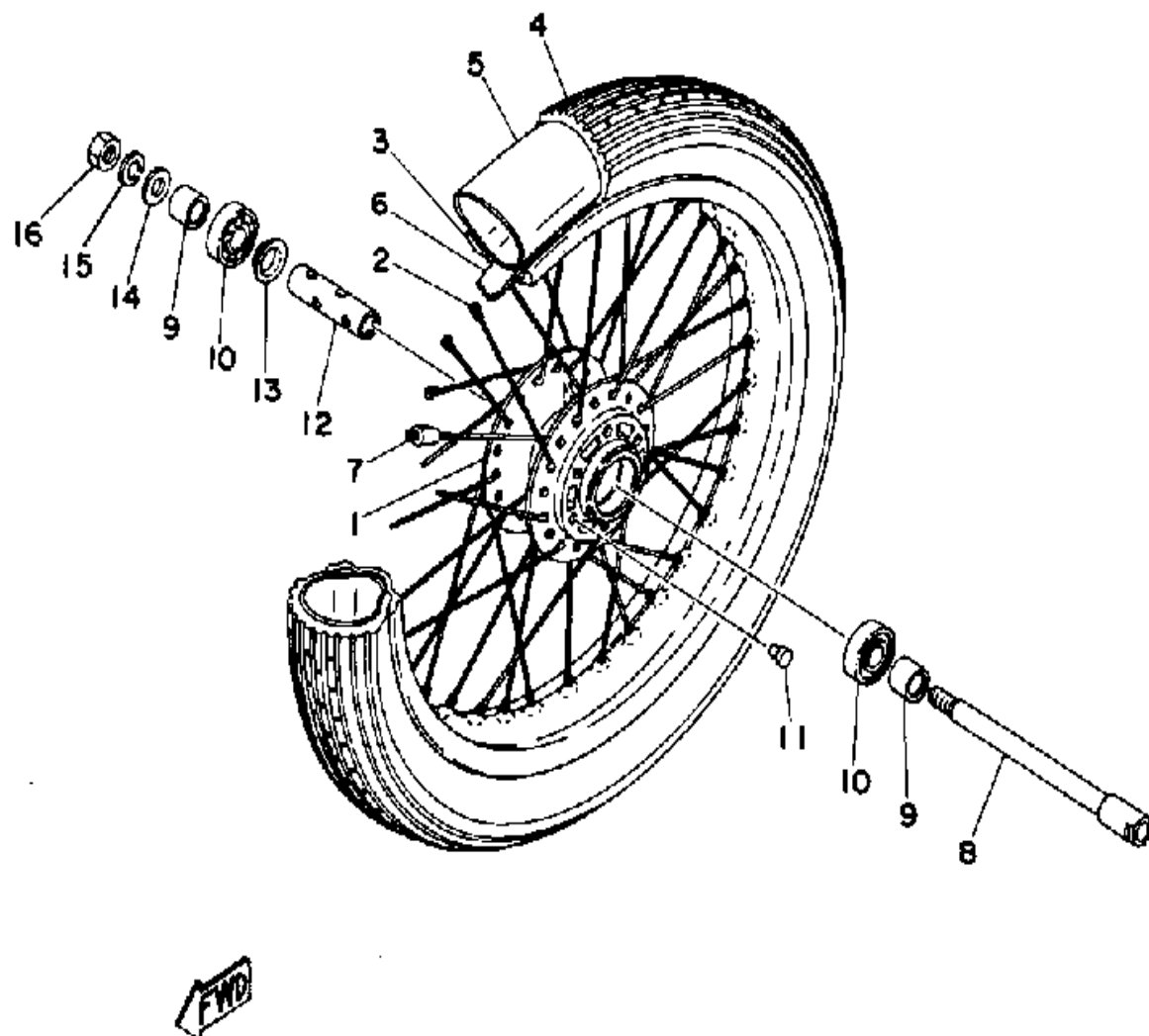
Ref. No.	Part Number	Description	Qty	Remarks
29	(145-24529-00-00)	SPRING	1	
30	(240-24534-00-00)	SEAL, COCK	1	
31	(240-24524-00-00)	LEVER, COCK	1	
32	(240-24525-00-00)	PLATE, LVR FITTING	1	
33	(240-24544-00-00)	BRACKET, FUEL COCK	1	
34	(240-24537-00-00)	NIPPLE	2	
35	(240-24528-00-00)	GASKET	2	
36	(145-24512-00-00)	GASKET	1	
37	(90445-11313-00)	HOSE	2	
38	90467-10008-00	CLIP	2	
39	90467-11102-00	CLIP, SCISSOR	2	
40	90480-20131-00	GROMMET	2	
41	91701-05138-00	UNAVAILABLE IN PRICE BOOK	1	N/A
42	90468-10050-00	CLIP	1	

# SEAT



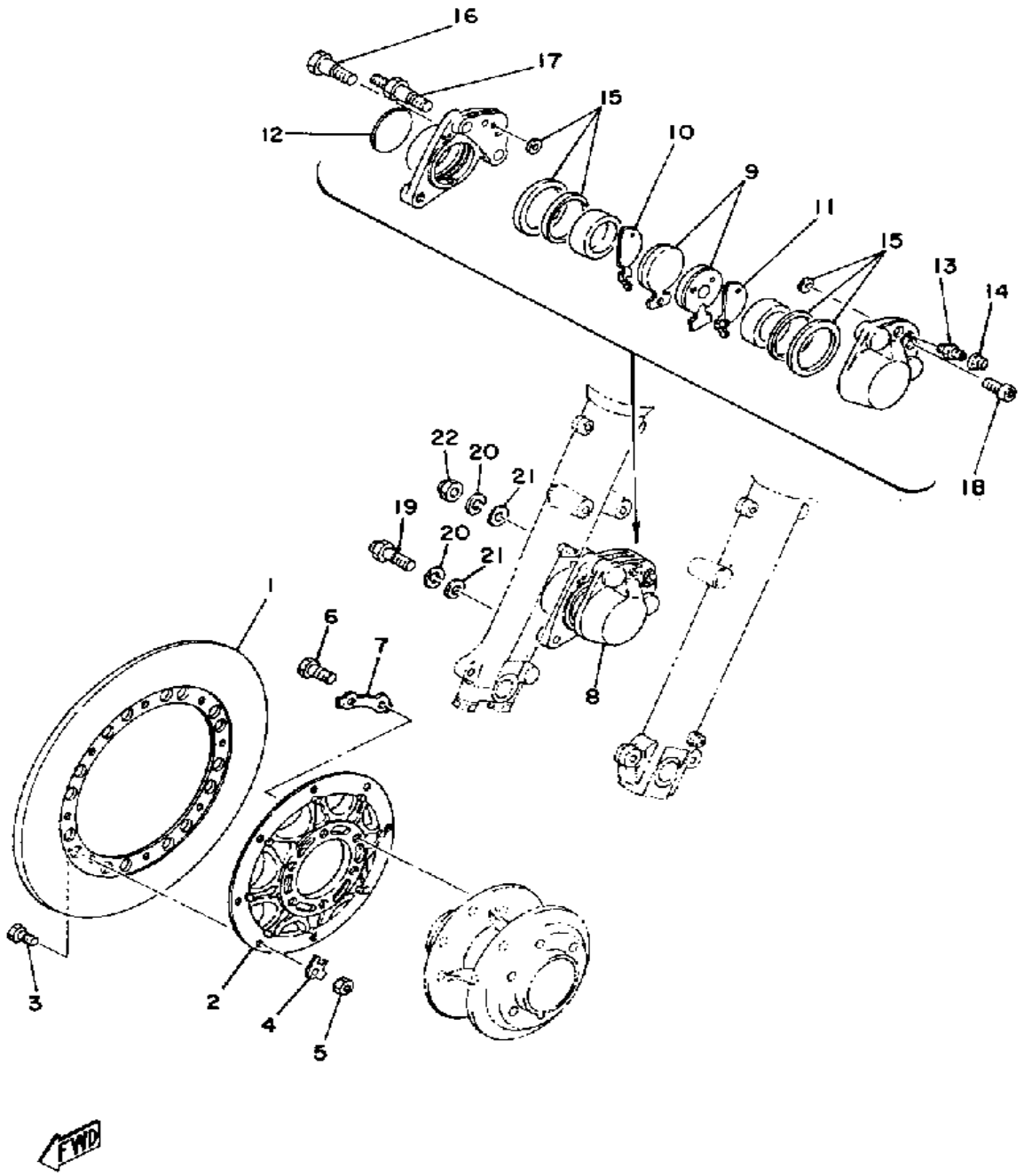
Ref. No.	Part Number	Description	Qty	Remarks
1	(1H3-24710-02-00)	SINGLE SEAT ASSEMBLY	1	
2	(1H3-21345-00-00)	BRACKET, TANK FTNG	1	
3	97313-06016-00	BOLT, HEXAGON	2	
4	92995-06100-00	WASHER, SPRING	4	
5	90201-06057-00	WASHER, PLATE	2	
6	97011-06020-00	BOLT	2	
7	95380-06700-00	NUT	2	

# FRONT WHEEL



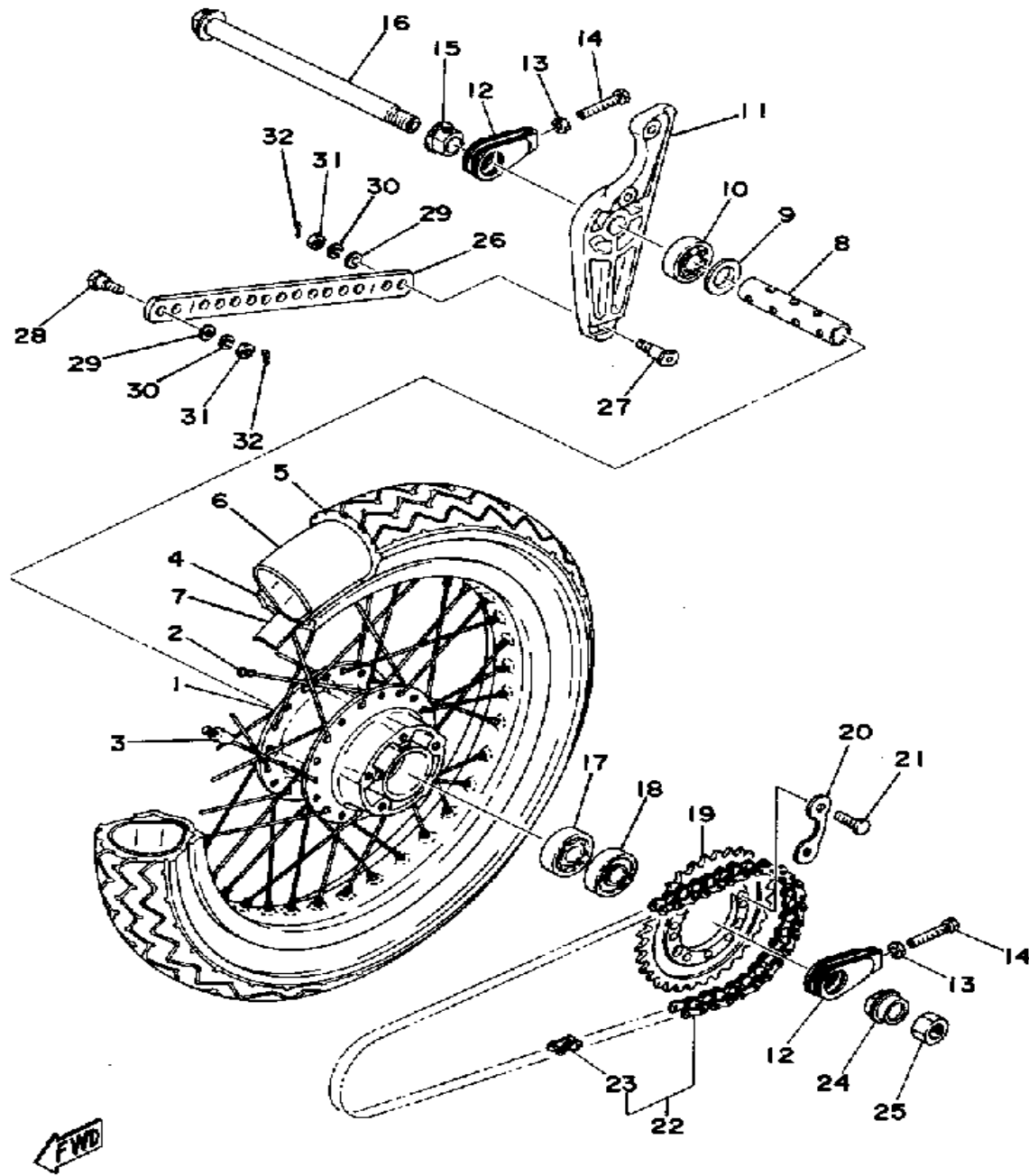
Ref. No.	Part Number	Description	Qty	Remarks
1	(1H3-25111-01-98)	HUB, FRONT	1	LOW GLOSS BLK
2	(409-25104-00-00)	SPOKE SET, FRONT	1	
3	(94418-18290-00)	RIM 1.85X 8	1	
4	94127-18053-00	UNAVAILABLE IN PRICE BOOK (2.75-18)	1	N/A
	94130-18080-00	UNAVAILABLE IN PRICE BOOK (2.75-18)	1	N/A
	94130-18266-00	UNAVAILABLE IN PRICE BOOK (3.00-18)	1	N/A
5	(94227-18010-00)	TUBE	1	
	94230-18084-00	TUBE	1	
6	94325-18043-00	BAND, RIM	1	
7	156-25398-00-00	BALANCER, WHEEL	1	
8	(409-25181-00-00)	AXLE, WHEEL	1	
9	(90387-17245-00)	COLLAR	2	
10	93306-30309-00	BEARING	2	
11	90338-07011-00	PLUG, SPEC'L SHAPE	6	
12	(409-25117-00-00)	SPACER, BEARING	1	
13	146-25315-00-00	FLANGE, SPACER	1	
14	92990-14200-00	WASHER, PLAIN	1	
15	92901-14100-00	WASHER, SPRING	1	
16	95312-14600-00	NUT	1	

# FRONT DISC BRAKE - CALIPER



Ref. No.	Part Number	Description	Qty	Remarks
1	(409-25831-00-00)	DISC, BRAKE .....	1	
2	(409-25832-00-00)	BRACKET, DISC .....	1	
3	90109-06018-00	BOLT .....	8	
4	90215-06106-00	WASHER, LOCK (306-25834-00) .....	8	
5	95380-06600-00	NUT .....	8	
6	(90101-08272-00)	BOLT .....	6	
7	341-25412-00-00	WASHER .....	3	
8	(1H3-25810-00-00)	CALIPER ASSEMBLY .....	1	
9	409-W0045-00-00	. BRAKE PAD KIT, FRNT .....	2	
10	409-25827-50-00	. SHIM, CALIPER .....	1	
11	409-25828-50-00	. SHIM, CALIPER (306-25828-02) .....	1	
12	306-25829-00-00	. EMBLEM, CALIPER .....	1	
13	306-25824-00-00	. SCREW, BLEED .....	1	
14	306-25825-01-00	. CAP .....	1	
15	856-W0047-00-00	. CALIPER SEAL KIT (856-20000-50) .....	2	
16	306-25821-01-00	. BOLT 1 .....	1	
17	306-25822-01-00	. BOLT 2 .....	1	
18	306-25826-01-00	. BOLT 3 .....	2	
19	90109-10244-00	BOLT .....	1	
20	92901-10100-00	WASHER, SPRING .....	2	
	92990-10100-00	WASHER, SPRING .....	2	
21	92990-10200-00	WASHER, PLAIN .....	2	
22	95701-10500-00	NUT, FLANGE (95702-10500) ..	1	

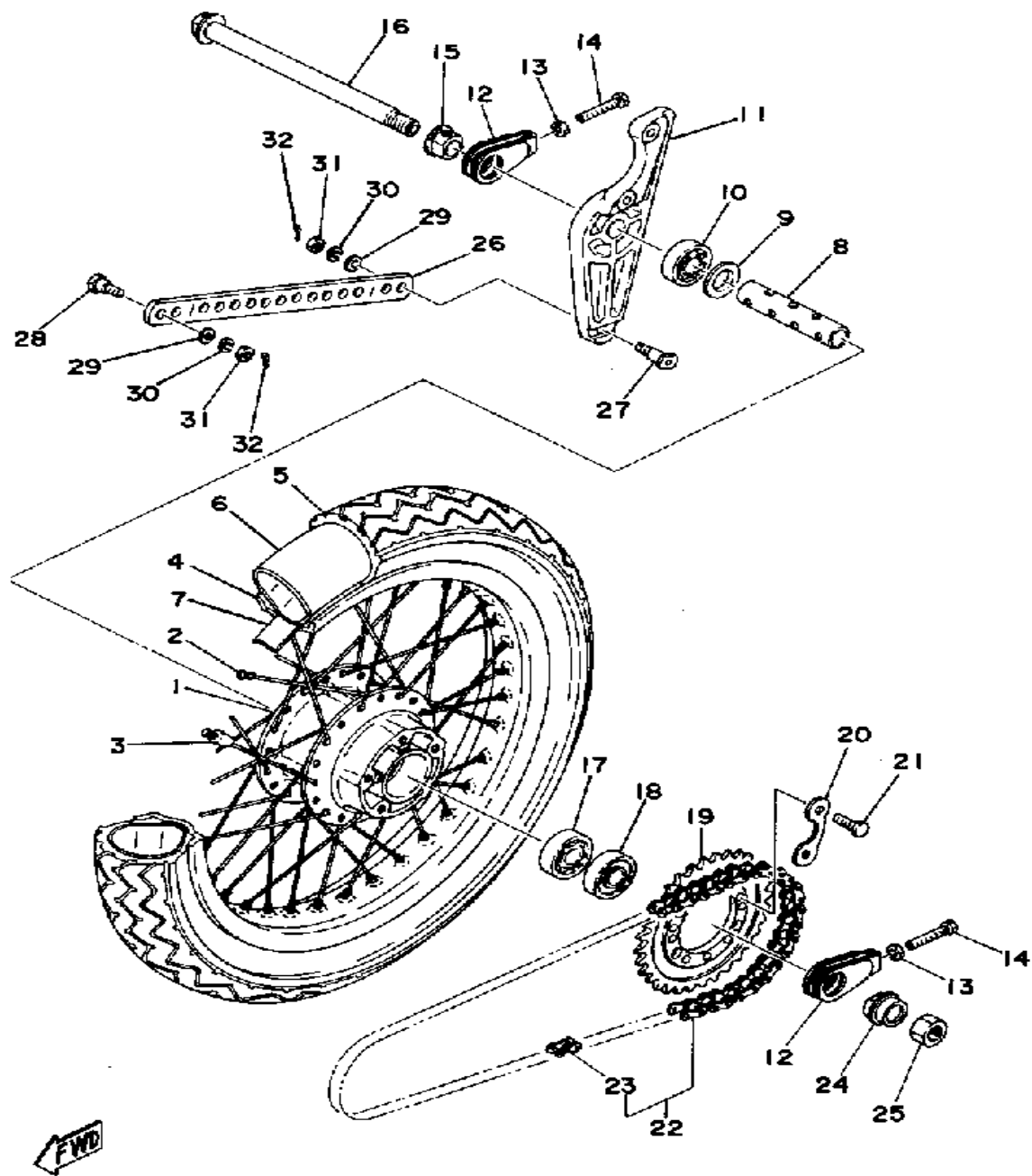
# REAR WHEEL



Ref. No.	Part Number	Description	Qty	Remarks
1	(1H3-25311-10-98)	HUB, REAR	1	LOW GLOSS BLK
2	(4A1-25304-00-00)	SPOKE SET, REAR	1	
3	156-25398-00-00	BALANCER, WHEEL	1	
4	(94421-18178-00)	RIM 2.15X 8	1	
5	94130-18054-00	UNAVAILABLE IN PRICE BOOK (3.00-18-4PR)	1	N/A
	94132-18268-00	UNAVAILABLE IN PRICE BOOK (3.20-18-4PR)	1	N/A
	94135-18267-00	UNAVAILABLE IN PRICE BOOK (3.50-18-4PR)	1	N/A
6	94230-18084-00	TUBE	1	
	94232-18012-00	UNAVAILABLE IN PRICE BOOK (3.20-18)	1	
	94235-18085-00	TUBE	1	
7	94325-18043-00	BAND, RIM	1	
8	(1H3-25317-00-00)	SPACER, BEARING	1	
9	4V4-25315-00-00	FLANGE, SPACER	1	
10	93306-20404-00	BEARING	1	
11	(1H3-25819-01-00)	BRACKET, CALIPER	1	
12	(409-25388-00-00)	PULLER, CHAIN 1	2	
13	95303-08700-00	NUT	2	
14	90101-08699-00	BOLT	2	
15	(240-25384-01-00)	WASHER, WHEEL	1	
16	(240-25381-00-00)	AXLE, WHEEL	1	
17	93306-30421-00	BEARING (B6304C3)	1	
18	93306-30417-00	BEARING (B6304ZZ)	1	
19	240-25433-00-00	SPROCKET, DRIVN 33T		
	240-25434-00-00	SPROCKET, DRIVN 34T	1	STD
	240-25435-00-00	SPROCKET, DRIVN 35T	1	
	3YL-25436-00-00	SPROCKET, DRIVEN 6		

CONTINUED ON NEXT FRAME ►

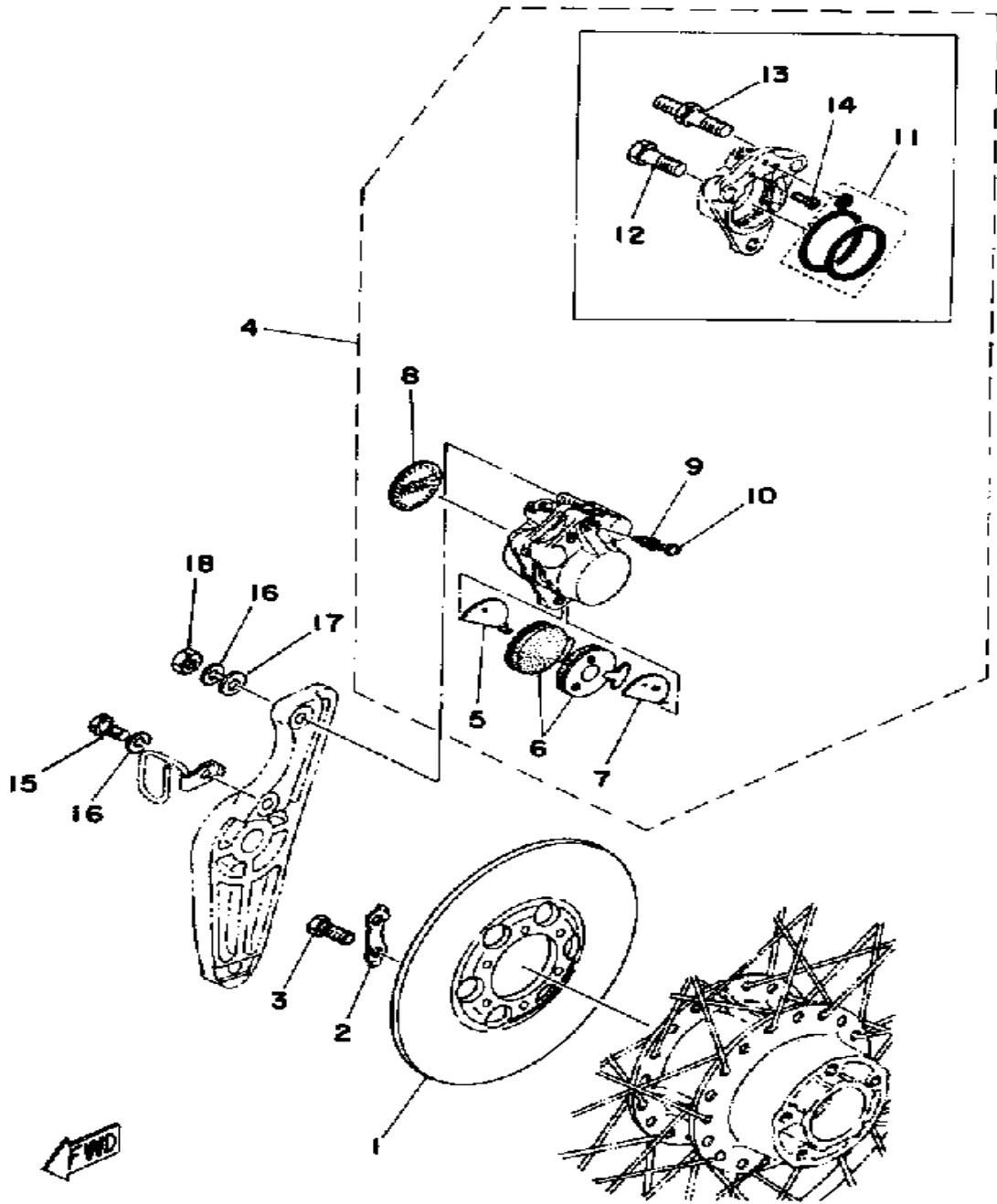
# REAR WHEEL



Ref. No.	Part Number	Description	Qty	Remarks
20	143-25412-00-00	WASHER	3	
21	90109-08377-00	BOLT (214-25411-00)	5	
22	94585-20094-00	CHAIN 520TR-94L (DK520TR-94L)	1	
23	(94645-20031-00)	JOINT CHAIN	1	
24	(240-25377-01-00)	COLLAR, WHEEL	1	
25	90170-18091-00	NUT, HEXAGON	1	
26	(409-25371-00-00)	BAR, TENSION	1	
27	(90109-08243-00)	BOLT	1	
28	(90109-08379-00)	BOLT	1	
29	92901-08600-00	WASHER	2	
30	92990-08100-00	WASHER	2	
31	95303-08700-00	NUT	2	
32	91490-20020-00	PIN, COTTER	2	

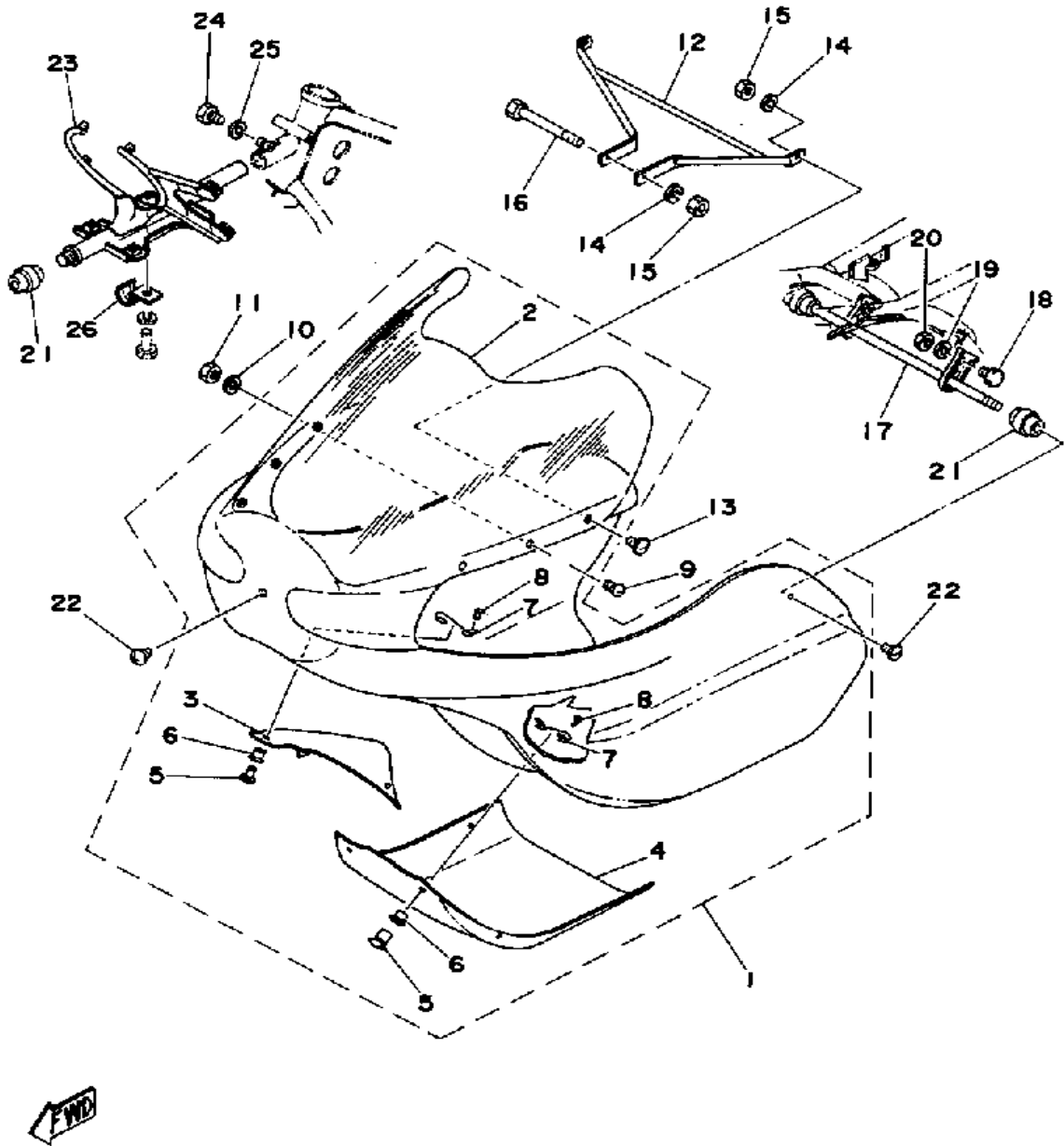


# REAR DISC BRAKE - CALIPER



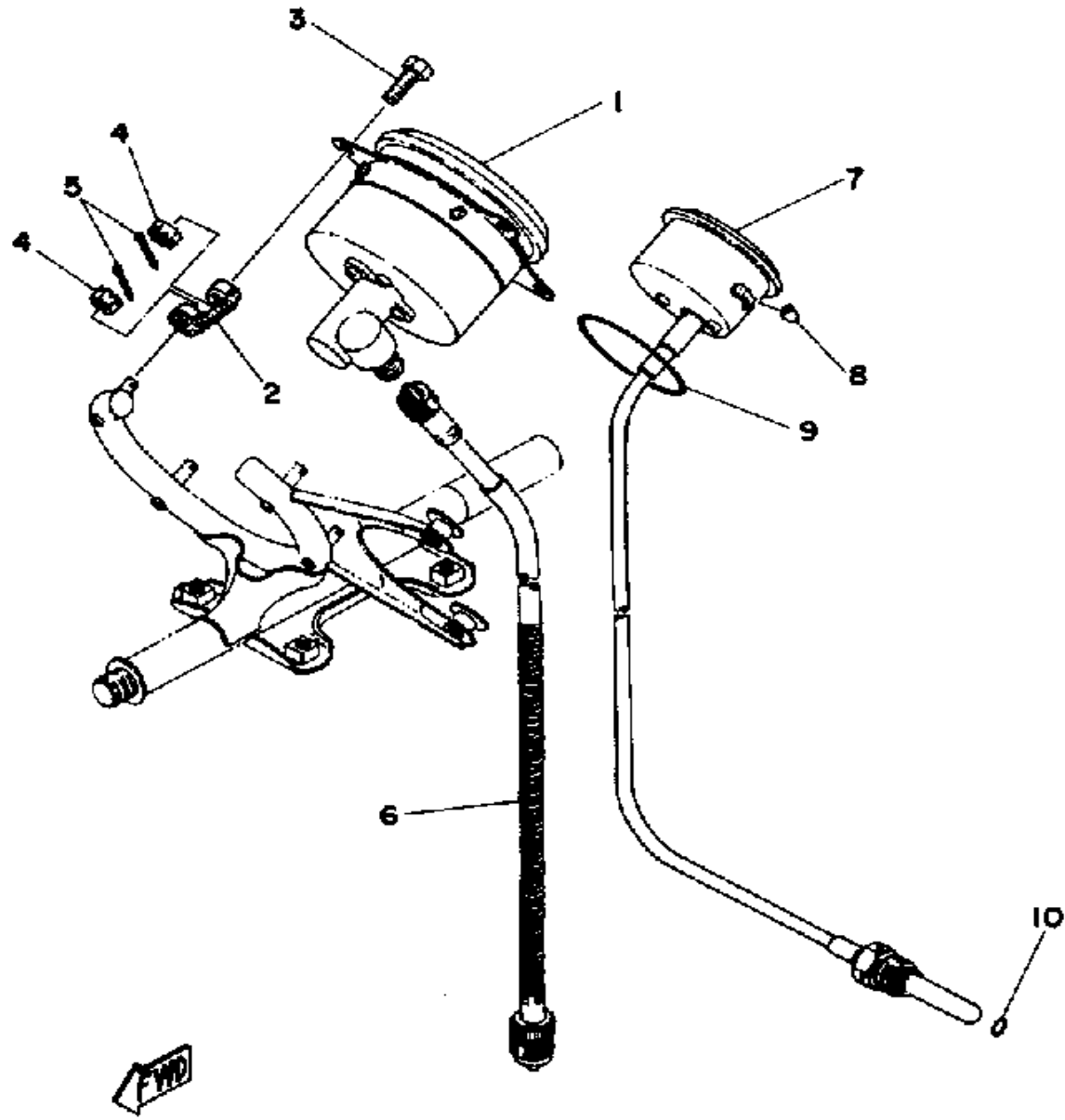
Ref. No.	Part Number	Description	Qty	Remarks
1	(1H3-25831-00-00)	DISC, BRAKE .....	1	
2	341-25412-00-00	WASHER .....	3	
3	90109-08432-00	BOLT .....	6	
4	(409-25810-52-00)	CALIPER ASSEMBLY .....	1	
5	306-25827-04-00	. SHIM, CALIPER (306-25827-02)	1	
6	409-W0045-00-00	. BRAKE PAD KIT, FRNT .....	2	
7	306-25828-04-00	. SHIM, CALIPER .....	1	
8	306-25829-00-00	. EMBLEM, CALIPER .....	1	
9	306-25824-00-00	. SCREW, BLEED .....	1	
10	306-25825-01-00	. CAP .....	1	
11	856-W0047-00-00	. CALIPER SEAL KIT (856-20000-50) .....	1	
12	306-25821-01-00	. BOLT 1 .....	1	
13	306-25822-01-00	. BOLT 2 .....	1	
14	306-25826-01-00	. BOLT 3 .....	2	
15	90109-10244-00	BOLT .....	1	
16	92901-10100-00	WASHER, SPRING .....	2	
	92990-10100-00	WASHER, SPRING .....	2	
17	92990-10200-00	WASHER, PLAIN .....	1	
18	95701-10500-00	NUT, FLANGE (95702-10500) ..	1	

# COWLING



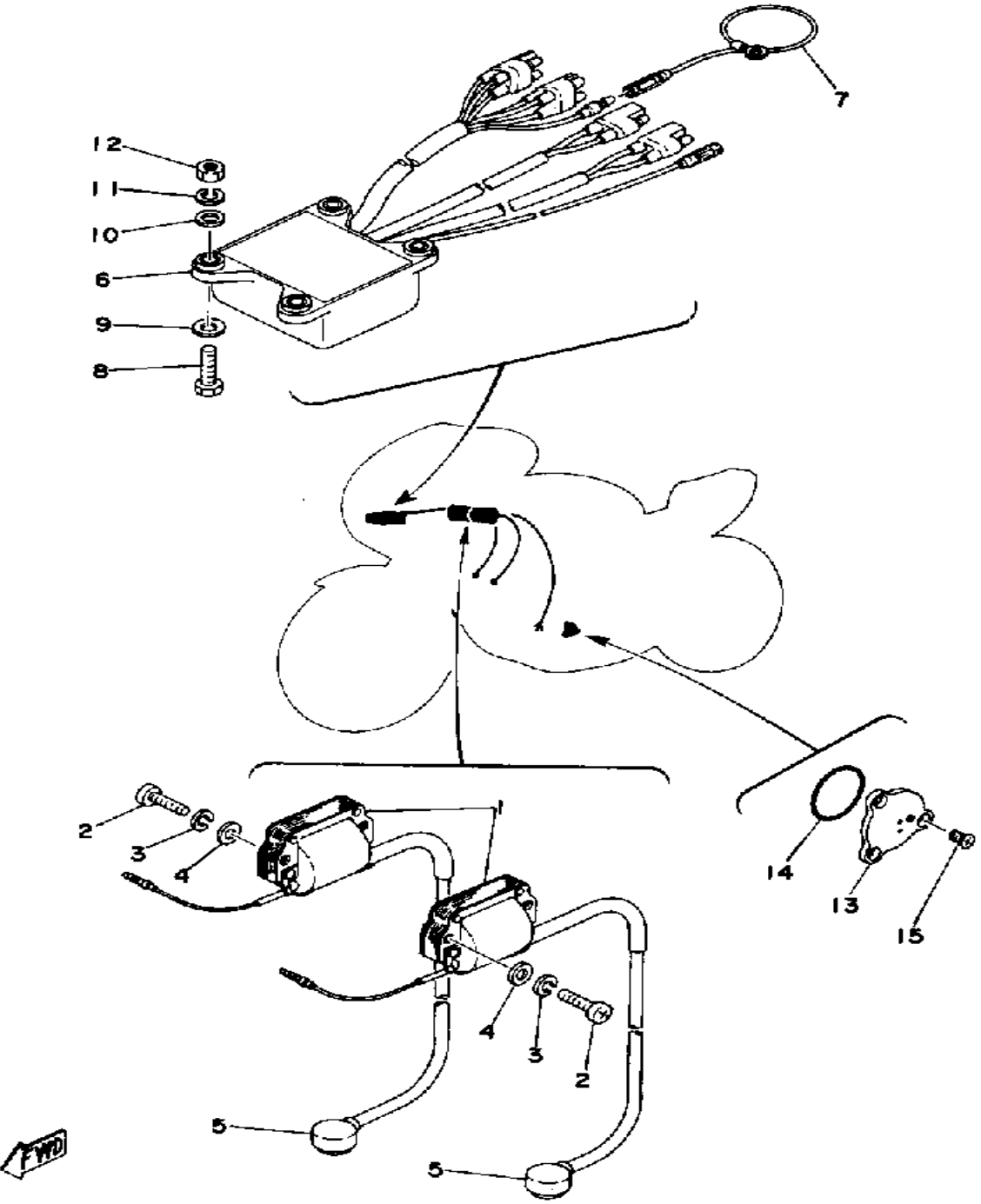
Ref. No.	Part Number	Description	Qty	Remarks
1	(ACC-11110-75-05)	TZ250C RR FR W/WDS	1	CHAPPY RED
2	(ACC-11110-77-04)	TZ750E WNDSDH ONLY	1	
5	240-28386-00-00	. HEAD	9	
6	240-28389-00-00	. RIVET	9	
7	(240-28388-00-00)	SPRING	9	
8	(90260-02002-00)	RIVET, ROUND HEAD	18	
9	90140-04012-00	SCREW, ROUND HEAD	7	
10	92901-04100-00	WASHER, SPRING	7	
11	95301-04700-00	NUT (95302-04700)	7	
12	(240-28357-00-33)	STAY 2	1	YAMAHA BLACK
13	97313-06016-00	BOLT, HEXAGON	2	
14	92995-06100-00	WASHER, SPRING	3	
15	95701-06300-00	NUT, NYLON	3	
16	97021-06030-00	BOLT	1	
17	(240-28358-00-33)	STAY 3	1	YAMAHA BLACK
18	97313-08018-00	BOLT, HEXAGON (97301-08016)	2	
19	92990-08100-00	WASHER	2	
20	95333-08600-00	NUT	2	
21	240-28371-00-33	DAMPER	3	YAMAHA BLACK
22	90140-06010-00	SCREW, ROUND HEAD (143-28353-00)	3	
23	(383-28356-00-00)	STAY 1	1	
24	97313-08020-00	BOLT, HEXAGON	1	
25	92990-08100-00	WASHER	1	
26	90462-10007-00	CLAMP	1	

# METER



Ref. No.	Part Number	Description	Qty	Remarks
1	328-83540-00-00	TACHOMETER ASSEMBLY ...	1	
2	143-83543-00-00	DAMPER, BRACKET .....	4	
3	(90102-05012-00)	BOLT, WITH HOLE .....	4	
4	95301-05900-00	NUT, SLOTTED .....	8	
5	91401-10015-00	PIN, COTTER .....	8	
6	371-83560-01-00	TACHOMETER CABLE .....	1	
7	(409-83590-01-00)	WATER TEMP METER .....	1	
8	90468-10001-00	CLIP .....	2	
9	93210-56077-00	O-RING .....	1	
10	93210-10118-00	O-RING .....	1	

# ELECTRICAL



Ref. No.	Part Number	Description	Qty	Remarks
1	(400-82310-30-00)	IGNITION COIL ASSEMBLY ...	2	
2	98511-06025-00	SCREW PAN HEAD (92501-06025)	4	
3	92995-06100-00	WASHER, SPRING	4	
4	92990-06200-00	WASHER	4	
5	294-82370-00-00	PLUG CAP ASSEMBLY	2	
	512-82370-10-00	PLUG CAP ASSEMBLY	2	FOR CANADA
6	328-85540-10-00	CDI UNIT ASSEMBLY	1	
7	558-82116-00-00	WIRE, MINUS LEAD	1	
8	97011-06025-00	BOLT (97001-06025)	4	
9	90201-06M08-00	WASHER, PLATE	4	
10	92990-06200-00	WASHER	4	
11	92995-06100-00	WASHER, SPRING	4	
12	95380-06600-00	NUT	4	
13	1L9-82540-00-00	NEUTRAL SWITCH ASSEMBLY	1	
14	93210-29147-00	O-RING	1	
15	98701-05012-00	SCREW, FLAT HEAD	3	